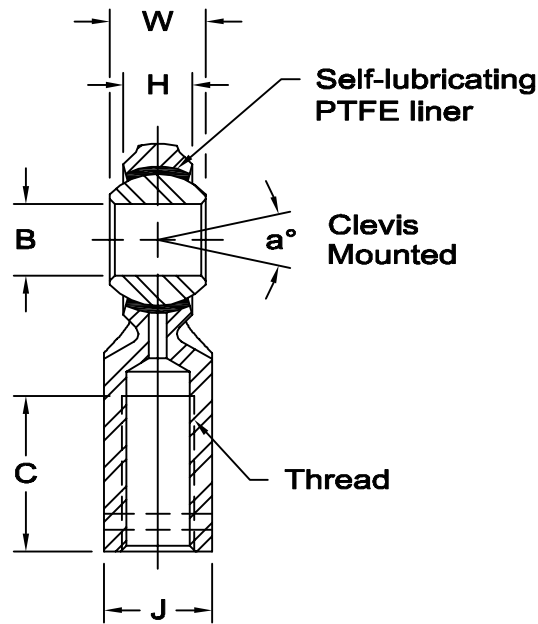
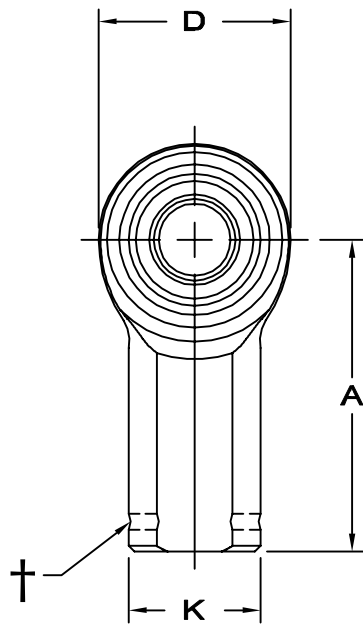




VCW & VCG SERIES FEMALE ROD ENDS

General Purpose - Economy - Self-Lubricating



Body - Low carbon steel, protective coated for corrosion resistance.

Ball - Alloy steel, heat treated, hard chrome plated.

Bushing - Steel Backed, PTFE Composite

Notes - All sizes available with studs upon request.

timkenaurorabearing.com • Fax 630-859-0971

†Left hand units have identification groove near end of shank.

| ROD END NO. | | DIMENSIONS IN INCHES | | | | | | | | | | a° Misalign. Angle | Ultimate Radial Static Load Capacity Lbs. | Approx. Brg. Wt. Lbs. |
|-------------|------------|-----------------------|------------|-----------|------------|-----------|------------|------------|----------------|---------------------|---------------|--------------------|---|-----------------------|
| Right Hand | Left Hand† | B +.0025 -.0005 | W ±.005 | H Ref. | A ±.015 | D Ref. | K ±.010 | J ±.010 | Ball Dia. Ref. | C +.062 -.031 | Thread UNF-2B | | | |
| VCW-5 | VCG-5 | .3125 | .437 | .312 | 1.375 | .875 | .500 | .437 | .593 | .687 | 5/16-24 | 18 | 2,623 | .08 |
| VCW-6 | VCG-6 | .3750 | .500 | .359 | 1.625 | 1.000 | .687 | .562 | .687 | .812 | 3/8-24 | 18 | 3,643 | .13 |
| VCW-7 | VCG-7 | .4375 | .562 | .406 | 1.812 | 1.125 | .750 | .625 | .781 | .937 | 7/16-20 | 17 | 4,464 | .18 |
| VCW-8 | VCG-8 | .5000 | .625 | .453 | 2.125 | 1.312 | .875 | .750 | .875 | 1.062 | 1/2-20 | 16 | 7,229 | .29 |
| VCW-10 | VCG-10 | .6250 | .750 | .484 | 2.500 | 1.500 | 1.000 | .875 | 1.062 | 1.375 | 5/8-18 | 22 | 8,204 | .43 |
| VCW-12 | VCG-12 | .7500 | .875 | .593 | 2.875 | 1.750 | 1.125 | 1.000 | 1.250 | 1.562 | 3/4-16 | 20 | 12,280 | .65 |

| ROD END NO. | | DIMENSIONS IN MILLIMETERS | | | | | | | | | | a° Misalign. Angle | Ultimate Radial Static Load Capacity Newtons | Approx. Brg. Wt. Grams |
|-------------|------------|---------------------------|-----------|-----------|-----------|-----------|-----------|-----------|----------------|---------------------|---------------|--------------------|--|------------------------|
| Right Hand | Left Hand† | B +.064 -.013 | W ±.13 | H Ref. | A ±.38 | D Ref. | K ±.25 | J ±.25 | Ball Dia. Ref. | C + 1.57 -.79 | Thread UNF-2B | | | |
| VCW-5 | VCG-5 | 7.938 | 11.10 | 7.92 | 34.93 | 22.23 | 12.70 | 11.10 | 15.06 | 17.45 | 5/16-24 | 18 | 11,667 | 36 |
| VCW-6 | VCG-6 | 9.525 | 12.70 | 9.12 | 41.28 | 25.40 | 17.45 | 14.27 | 17.45 | 20.62 | 3/8-24 | 18 | 16,204 | 59 |
| VCW-7 | VCG-7 | 11.113 | 14.27 | 10.31 | 46.02 | 28.58 | 19.05 | 15.88 | 19.84 | 23.80 | 7/16-20 | 17 | 19,856 | 82 |
| VCW-8 | VCG-8 | 12.700 | 15.88 | 11.50 | 53.98 | 33.32 | 22.23 | 19.05 | 22.23 | 26.97 | 1/2-20 | 16 | 32,155 | 132 |
| VCW-10 | VCG-10 | 15.875 | 19.05 | 12.29 | 63.50 | 38.10 | 25.40 | 22.23 | 26.97 | 34.93 | 5/8-18 | 22 | 36,491 | 195 |
| VCW-12 | VCG-12 | 19.050 | 22.23 | 15.06 | 73.03 | 44.45 | 28.58 | 25.40 | 31.75 | 39.67 | 3/4-16 | 20 | 54,621 | 295 |

Studs available per notes and comments, page 76