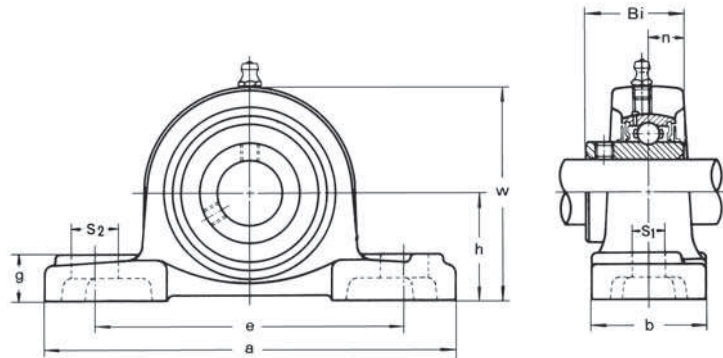


PLASTIC version

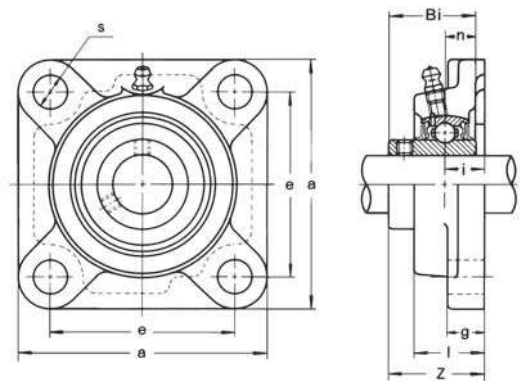
Pillow block
MUCA 200-SBFD
Set-screw locking
Insert MUC 200



Designation	Shaft diameter mm	h mm	a mm	e mm	b mm	s ₁ mm	s ₂ min. mm	g min. mm	w max. mm	Bi mm	n mm	Bolt size	Weight kg
MUCA 204-SB 20	20	33.3	127	95	38	11	14	14.2	65	31.0	12.7	M10	0.28
MUCA 205-SB 25	25	36.5	140	105	38	11	14	14.5	71	34.1	14.3	M10	0.33
MUCA 206-SB 30	30	42.9	162	119	46	14	18	17.8	83	38.1	15.9	M12	0.52
MUCA 207-SB 35	35	47.6	167	127	48	14	18	18.0	94	42.9	17.5	M12	1.73
MUCA 208-SB 40	40	49.2	184	137	54	14	18	19.5	98	49.2	19.0	M12	1.95

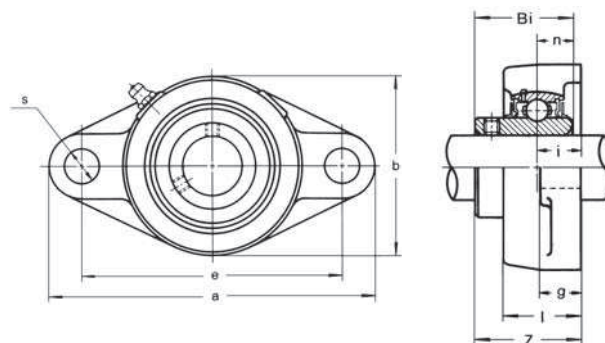
ASAHI


Square flange
MUCB 200-SBFD
Set-screw locking
Insert MUC 200



Designation	Shaft diameter mm	a mm	e mm	i mm	g mm	l mm	s mm	Z mm	Bi mm	n mm	Bolt size	Weight kg
MUCB 204-SB 20	20	86.0	63.5	18.0	13.4	27.8	11	36.3	31.0	12.7	M10	0.23
MUCB 205-SB 25	25	94.5	70.0	17.0	14.3	27.9	11	36.8	34.1	14.3	M10	0.30
MUCB 206-SB 30	30	107.0	83.0	19.2	14.3	31.5	11	41.4	38.1	15.9	M12	0.44
MUCB 207-SB 35	35	147.0	92.0	21.5	15.5	34.8	13	46.9	42.9	17.5	M12	0.65
MUCB 208-SB 40	40	130.0	102.0	23.0	17.0	37.5	14	53.2	49.2	19.5	M12	0.87

Two-bolt flange
 MUCD 200-SBFD
 Set-screw locking
 Insert MUC 200



Designation	Shaft diameter mm	a mm	e mm	i mm	g mm	l mm	s mm	b mm	Z mm	Bi mm	n mm	Bolt size	Weight kg
MUCD 204-SB 20		113	90	15.4	11.4	26.5	11	64	33.7	31.0	12.7	M10	0.23
MUCD 205-SB 25		130	99	17.0	13.5	29.1	11	68	36.8	34.1	14.3	M10	0.30
MUCD 206-SB 30		148	117	19.0	13.3	30.5	11	80	41.2	38.1	15.9	M12	0.44
MUCD 207-SB 35		163	130	18.0	16.1	32.8	13	90	43.4	42.9	17.5	M12	0.65
MUCD 208-SB 40		175	144	21.5	20.0	37.5	14	100	51.7	49.2	19.0	M12	0.87