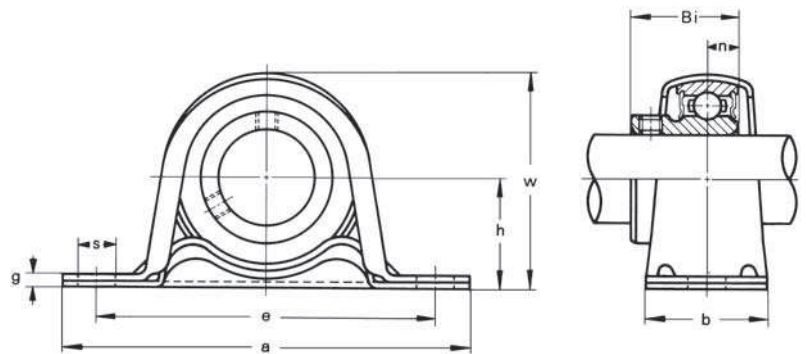


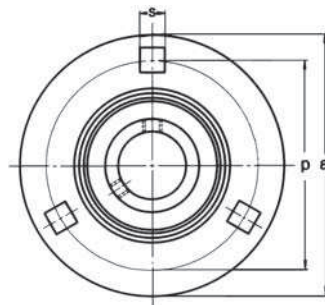
## PRESSED STEEL version

**Pillow block  
with yellow galvanized housing  
BPP 200  
Light duty  
Set-screw locking  
Ball bearing B200**



Designation	Shaft diameter mm	h mm	a mm	e mm	b mm	s mm	g mm	w mm	Bi mm	n mm	Bolt size	Weight kg
BPP 201-Z2	12	22.2	86	68	25	9.5	3.2	44	22.0	6.0	M 8	0.16
BPP 202-Z2	15	22.2	86	68	25	9.5	3.2	44	22.0	6.0	M 8	0.15
BPP 203-Z2	17	22.2	86	68	25	9.5	3.2	44	22.0	6.0	M 8	0.13
BPP 204-Z2	20	25.4	98	76	32	9.5	3.2	50	24.7	7.0	M 8	0.21
BPP 205-Z2	25	28.6	108	86	32	11.5	4.0	56	27.7	7.5	M10	0.29
BPP 206-Z2	30	33.3	117	95	38	11.5	4.0	66	30.3	8.0	M10	0.42
BPP 207-Z2	35	39.7	129	106	42	11.5	4.6	78	32.9	8.5	M10	0.61

**Round flange with pressed steel housing  
BPF 200  
Light duty  
Set-screw locking  
Ball bearing B200**



Designation	Shaft diameter mm	a mm	p mm	t mm	b mm	s mm	F min. mm	W mm	Bi mm	n mm	Bolt size	Weight kg
BPF 201	12	81	63.5	2.0	14	7	49	29	22.0	6.0	M 6	0.21
BPF 202	15	81	63.5	2.0	14	7	49	29	22.0	6.0	M 6	0.20
BPF 203	17	81	63.5	2.0	14	7	49	29	22.0	6.0	M 6	0.18
BPF 204	20	90	71.5	2.0	16	9	56	33	24.7	7.0	M 8	0.25
BPF 205	25	95	76.0	2.0	18	9	60	35	27.7	7.5	M 8	0.35
BPF 206	30	113	90.5	2.6	18	11	71	38	30.3	8.0	M10	0.54
BPF 207	35	120	100.0	2.6	20	11	81	45	32.9	8.5	M10	0.71