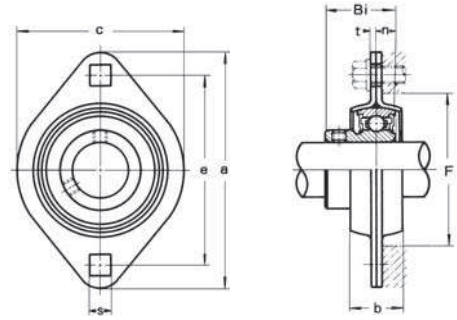


**Two-bolt flange**  
**BPFL 200**  
**Light duty**  
**Set-screw locking**  
**Ball bearing B200**



Designation	Shaft diameter mm	a mm	e mm	t mm	b mm	s mm	c mm	F mm	Bi mm	n mm	Bolt size	Weight kg
BPFL 201	<b>12</b>	81	63.5	2.0	14	7	59	49	22.0	6.0	M 6	0.25
BPFL 202	<b>15</b>	81	63.5	2.0	14	7	59	49	22.0	6.0	M 6	0.24
BPFL 203	<b>17</b>	81	63.5	2.0	14	7	59	49	22.0	6.0	M 6	0.22
BPFL 204	<b>20</b>	90	71.5	2.0	16	9	67	56	24.7	7.0	M 8	0.29
BPFL 205	<b>25</b>	95	76.0	2.0	18	9	71	60	27.7	7.5	M 8	0.36
BPFL 206	<b>30</b>	113	90.5	2.6	18	11	84	71	30.3	8.0	M10	0.56
BPFL 207	<b>35</b>	122	100.0	2.6	20	11	94	81	32.9	8.5	M10	0.70

**ASAHI**

