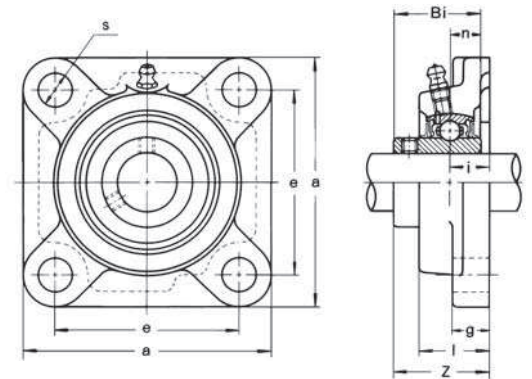
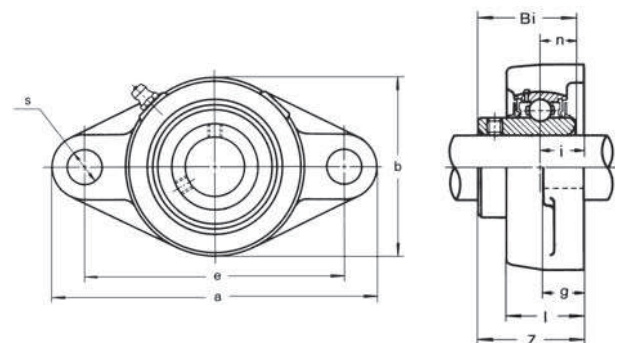


**Square flange
PUCF 200
Set-screw locking
Insert MUC 200**



Designation	Shaft diameter mm	a mm	e mm	i mm	g mm	l mm	s mm	Z mm	Bi mm	n mm	Bolt size	Weight kg
PUCF 204	20	86	63.5	18.0	13.4	27.8	11	36.3	31.0	12.7	M10	0.29
PUCF 205	25	95	70.0	17.0	14.3	28.0	11	36.7	34.1	14.3	M10	0.36
PUCF 206	30	107	83.0	19.2	14.3	31.5	11	41.4	38.1	15.9	M10	0.50
PUCF 207	35	118	92.0	21.5	15.5	34.8	13	46.9	42.9	17.5	M12	0.74
PUCF 208	40	130	102.0	23.0	17.0	37.5	14	53.2	49.2	19.0	M12	0.97
PUCF 209	45	137	105.0	24.0	19.0	41.0	17	54.2	49.2	19.0	M16	1.10
PUCF 210	50	143	111.0	25.0	21.0	43.0	17	57.6	51.6	19.0	M16	1.25

**Two-bolt flange
PUCFL 200
Set-screw locking
Insert MUC 200**



Designation	Shaft diameter mm	a mm	e mm	i mm	g mm	l mm	s mm	b mm	Z mm	Bi mm	n mm	Bolt size	Weight kg
PUCFL 204	20	130.0	90.0	15.4	11.4	26.5	11	70.0	33.7	31.0	12.7	M10	0.24
PUCFL 205	25	131.0	99.0	17.0	13.5	29.1	11	69.5	36.7	34.0	14.3	M10	0.30
PUCFL 206	30	148.0	117.0	19.0	13.3	30.5	11	80.0	41.2	38.1	15.9	M10	0.45
PUCFL 207	35	164.0	130.0	18.0	16.1	32.8	13	90.0	43.4	42.9	17.5	M12	0.66
PUCFL 208	40	176.0	144.0	21.5	20.0	37.5	14	100.0	51.7	49.2	19.0	M12	0.87
PUCFL 209	45	188.5	148.5	24.0	21.0	41.0	17	108.0	54.2	49.2	19.0	M16	1.00
PUCFL 210	50	197.0	157.0	25.0	21.0	43.0	17	115.0	57.6	51.6	19.0	M16	1.20