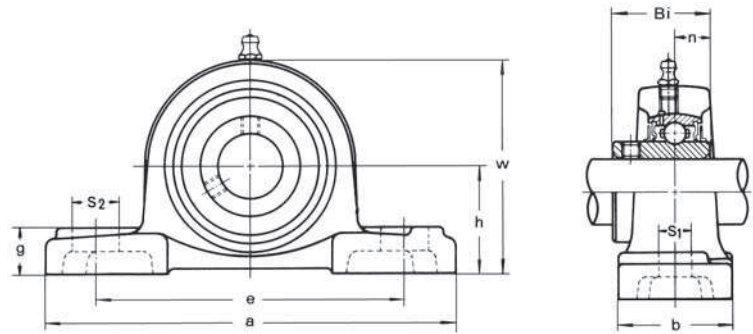


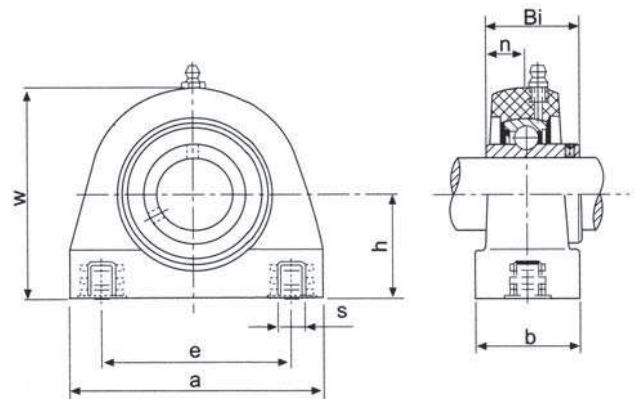
## PLASTIC version

**Pillow block**  
**PUCP 200**  
**Set-screw locking**  
**Insert MUC 200**



Designation	Shaft diameter mm	h mm	a mm	e mm	b mm	s <sub>1</sub> mm	s <sub>2</sub> mm	g mm	w mm	Bi mm	n mm	Bolt size	Weight kg
PUCP 204	20	33.3	127.0	95	38	11	14	14.2	65.5	31.0	12.7	M10	0.29
PUCP 205	25	36.5	140.5	105	38	11	14	14.5	71.0	34.0	14.3	M10	0.34
PUCP 206	30	42.9	163.0	119	46	14	18	17.8	84.0	38.1	15.9	M10	0.54
PUCP 207	35	47.6	168.0	127	48	14	18	18.0	94.5	42.9	17.5	M12	0.78
PUCP 208	40	49.2	184.0	137	54	14	18	19.5	99.0	49.2	19.0	M12	0.97
PUCP 209	45	54.0	192.0	146	54	17	20	23.0	106.0	49.2	19.0	M16	1.09
PUCP 210	50	57.2	206.0	159	60	17	20	23.0	114.0	51.6	19.0	M16	1.20

**Pillow block**  
**PUCPA 200**  
**Set-screw locking**  
**Insert MUC 200**



Designation	Shaft diameter mm	h mm	a mm	e mm	b mm	w mm	Bi mm	n mm	Bolt size	Weight kg
PUCPA 204	20	30.2	76	52	40	62	31.0	12.7	M8	0.55
PUCPA 205	25	36.5	84	56	38	72	34.1	14.3	M10	0.61
PUCPA 206	30	42.9	94	66	50	84	38.1	15.9	M10	0.89
PUCPA 207	35	47.6	110	80	55	95	42.9	17.5	M10	1.31
PUCPA 208	40	49.2	116	84	58	100	49.2	19.0	M12	1.56

