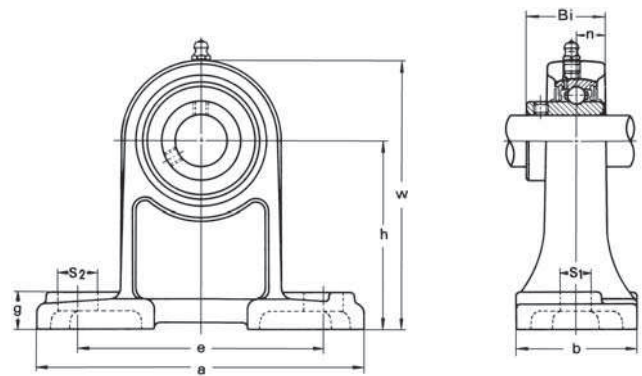
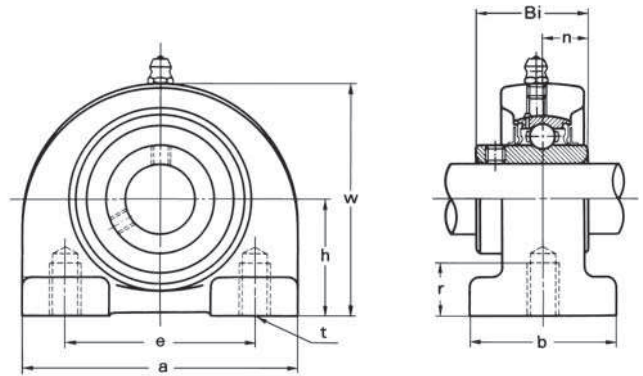


**Pillow block
UCPH 200
Normal duty
Set-screw locking
Insert UC 200**



Designation	Shaft diameter mm	h mm	a mm	e mm	b mm	s ₁ mm	s ₂ mm	g mm	w mm	Bi mm	n mm	Bolt size	Weight kg
UCPH 201	12	70	127	95	40	13	19	15	101	31.0	12.7	M10	0.81
UCPH 202	15	70	127	95	40	13	19	15	101	31.0	12.7	M10	0.80
UCPH 203	17	70	127	95	40	13	19	15	101	31.0	12.7	M10	0.79
UCPH 204	20	70	127	95	40	13	19	15	101	31.0	12.7	M10	0.77
UCPH 205	25	80	140	105	50	13	19	16	114	34.1	14.3	M10	1.01
UCPH 206	30	90	161	121	50	17	21	17	130	38.1	15.9	M14	1.47
UCPH 207	35	95	166	127	60	17	21	18	140	42.9	17.5	M14	1.91
UCPH 208	40	100	178	137	70	17	21	19	150	49.2	19.0	M14	2.52
UCPH 209	45	105	189	146	70	17	21	20	158	49.2	19.0	M14	2.72
UCPH 210	50	110	205	159	70	20	23	21	165	51.6	19.0	M16	3.10

**Pillow block
UCPA 200
Normal duty
Set-screw locking
Insert UC 200**



Designation	Shaft diameter mm	h mm	a mm	e mm	b mm	r mm	g mm	w mm	Bi mm	n mm	Bolt size	Weight kg
UCPA 201	12	30.2	76	52	40	15	11	62	31.0	12.7	M10	0.60
UCPA 202	15	30.2	76	52	40	15	11	62	31.0	12.7	M10	0.59
UCPA 203	17	30.2	76	52	40	15	11	62	31.0	12.7	M10	0.58
UCPA 204	20	30.2	76	52	40	15	11	62	31.0	12.7	M10	0.56
UCPA 205	25	36.5	84	56	38	15	12	72	34.1	14.3	M10	0.83
UCPA 206	30	42.9	94	66	50	18	12	84	38.1	15.9	M14	1.12
UCPA 207	35	47.6	110	80	55	20	13	95	42.9	17.5	M14	1.48
UCPA 208	40	49.2	116	84	58	20	13	100	49.2	19.0	M14	1.89
UCPA 209	45	54.2	120	90	60	25	13	108	49.2	19.0	M14	1.98
UCPA 210	50	57.2	130	94	64	25	14	116	51.6	19.0	M16	2.16

Available on request with inserts of series UK and KH. Covers are possible as special version.

The conventional housing tolerances are valid for all shown housing dimensions.
All cast housing tolerances are nominal sizes and the conventional cast tolerances must be added.