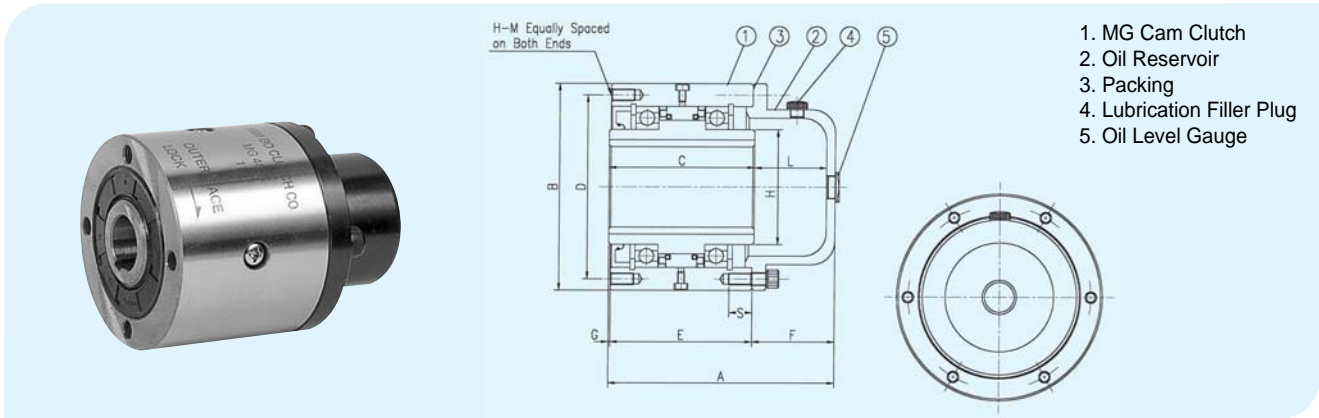


MG-RK Series

OIL RESERVOIR TYPE



Specification

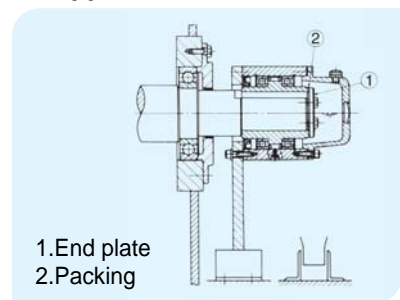
Dimensions-mm

Model	Max. Torque (kgf-m)	Nominal Overrunning Drag (kgf-m)	Max. Overrunning (rpm) Inner Race	Stock Bore Size		A	B	C	D	E (M6)	F	G	H	H-M No. of Tapped Holes x Dia x Pitch	S	Weight (kgf)
				Dia (H7)	Key Way											
MG 300RK	32	0.016	2,800	19	5 x 2	115	77	63	66	60	53.5	1.5	28.5	4 x M6 x 1.0	13	2.0
MG 400RK	55	0.02	2,600	22	5 x 2	122	88	70	73	67	53.5	1.5	31.7	4 x M8 x 1.25	16	3.0
MG 500RK	165	0.036	2,400	31.5	7 x 3	154	108	89	92	86	66.5	1.5	44.4	4 x M8 x 1.25	16	5.5
MG 600RK	320	0.06	2,100	50	12 x 3.5	165	136	95	120	92	71.5	1.5	69.8	6 x M8 x 1.25	20	9.5
MG 700RK	600	0.121	1,500	70	18 x 6	207	180	127	160	124	81.5	1.5	101.5	6 x M10 x 1.5	20	21.0
MG 750RK	970	0.28	1,400	85	24 x 6	280	200	153	175	150	128.5	1.5	110	8 x M14 x 2.0	25	40.3
MG 800RK	1,800	0.44	1,300	110	28 x 7	298.5	250	158	220	155	142	1.5	140	8 x M16 x 2.0	25	50.6
MG 900RK	2,500	0.55	1,200	135	35 x 9	314.5	300	165	265	160	152	2.5	170	10 x M16 x 2.0	32	77.6
MG 1000RK	3,450	0.66	1,200	160	38 x 10	341	370	188	325	180	157	4.0	200	12 x M16 x 2.0	32	116.6

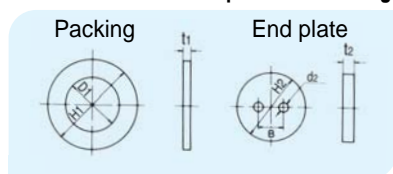
Character

1. MG-RK Series consist of MG-K Series and oil reservoir type.
2. For high speed of inner race, backstopping application with outer race is stationary.
3. Specify direction of inner race drive(right hand (R.H)or left hand (L.H)) viewed from direction of arrow mark when ordering. (refer the above drawing)
4. When attaching the oil lubricating clutches, be sure to put packing and position one of the plugs of outer race under neath for a drain.
5. Prevent oil leakage from the shaft end by using an end plate with packing. (refer the below drawing)

Application



Dimensions for End plate and Packing



Model	Packing			End Plate				
	H ₁	D ₁	t ₁	H ₂	t ₂	B	d ₂	Bolt size
MG 300RK	28	19	1.5	28	4	11	5.5	M 5
MG 400RK	31	22	1.5	31	4	13	6.6	M 6
MG 500RK	44	31.5	1.5	44	6	20	9	M 8
MG 600RK	69	50	1.5	69	8	30	11	M 10
MG 700RK	101	70	1.5	101	8	40	14	M 12
MG 750RK	110	85	1.5	110	10	50	18	M 16
MG 800RK	140	110	1.5	140	10	70	18	M 16
MG 900RK	170	135	1.5	170	10	80	18	M 16
MG 1000RK	200	160	1.5	200	10	100	18	M 16