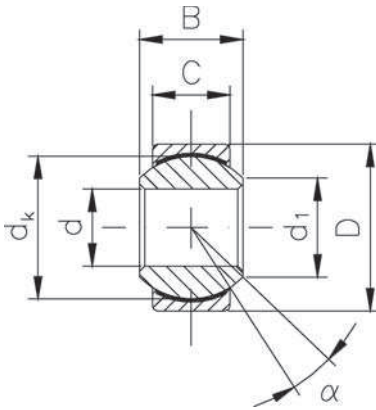


Mating materials:
Stainless steel on PTFE
Maintenance-free

Stainless steel
copper alloys free
 Type G
 DIN ISO 12240-1
 dimension series K

Inner ring: Stainless steel, hardened, ground and polished.
Outer ring: Stainless steel lined with an antifriction film, consisting of PTFE, outer diameter ground.
Special versions: are available on request.

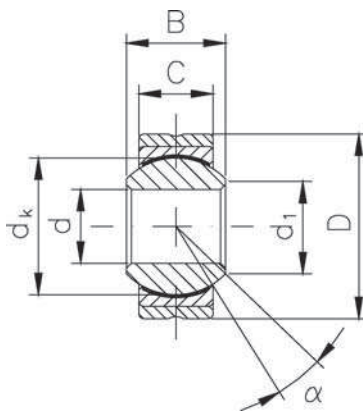


Designation	d	d ₁	B	C	D	dk	Load rating static C ₀	Tilt angle	Weight
	mm	≈ mm	mm	mm	mm	mm	kN	α°	kg
G 6-DNRBF	6	8.9	9	6.75	16	12.7	18	13	0.010
G 8-DNRBF	8	10.3	12	9.00	19	15.8	30	13	0.016
G 10-DNRBF	10	12.9	14	10.50	22	19.0	42	13	0.031
G 12-DNRBF	12	15.4	16	12.00	26	22.2	56	13	0.065
G 14-DNRBF	14	16.8	19	13.50	28	25.4	72	15	0.090
G 16-DNRBF	16	19.3	21	15.00	32	28.5	90	15	0.100
G 18-DNRBF	18	21.8	23	16.50	35	31.7	110	15	0.125
G 20-DNRBF	20	24.3	25	18.00	40	34.9	132	15	0.180
G 22-DNRBF	22	25.8	28	20.00	42	38.1	160	15	0.210
G 25-DNRBF	25	29.5	31	22.00	47	42.8	198	15	0.295
G 30-DNRBF	30	34.8	37	25.00	55	50.8	267	15	0.425

Mating materials:
Stainless steel on PTFE
Maintenance-free

Stainless steel
copper alloys free
Special version type S

- Inner ring:** Stainless steel, hardened, ground and polished.
- Outer ring:** Stainless steel lined with an antifriction film, consisting of PTFE, outer diameter ground.
- Outer case:** Stainless steel, outer diameter ground. Spherical bearing is pressed into the outer case and secured at both sides against axial movement.
- Special versions:** are available on request.



Designation	d	d ₁	B	C	D	dk	Load rating static C ₀	Tilt angle	Weight
	mm	≈ mm	mm	mm	mm	mm	kN	α°	kg
S 6-DNRBF	6	8.9	9	6.75	18	12.7	18	13	0.013
S 8-DNRBF	8	10.3	12	9.00	22	15.8	30	13	0.024
S 10-DNRBF	10	12.9	14	10.50	26	19.0	42	13	0.040
S 12-DNRBF	12	15.4	16	12.00	30	22.2	56	13	0.080
S 14-DNRBF	14	16.8	19	13.50	34	25.4	72	15	0.110
S 16-DNRBF	16	19.3	21	15.00	38	28.5	90	15	0.130
S 18-DNRBF	18	21.8	23	16.50	42	31.7	110	15	0.170
S 20-DNRBF	20	24.3	25	18.00	46	34.9	132	15	0.230
S 22-DNRBF	22	25.8	28	20.00	50	38.1	160	15	0.280
S 25-DNRBF	25	29.5	31	22.00	56	42.8	198	15	0.390
S 30-DNRBF	30	34.8	37	25.00	66	50.8	267	15	0.610