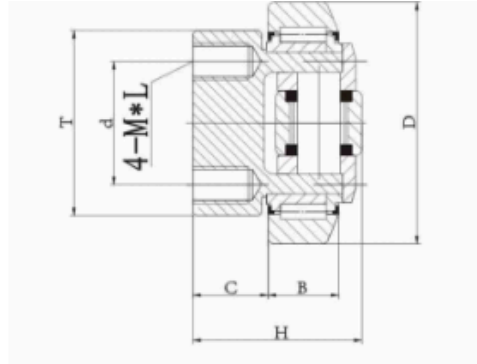


Axial Bearing adjustable with bracket

Bearing No.	Dimensions(mm)								Basic load rating(KN)				Weight(Kg)
	D	T	d	H	h	B	A	S	Cr	Cor	Ca	Coa	
CRA62-4P	62.0	42	30	43	33	20	5.5	16	31	35.5	8	8	0.56
CRA62.5-2P	62.5	42	30	43	33	20	5.5	16	31.0	35.5	8	8	0.56
CRA64.8-5P	64.8	42	30	43.0	33.0	20	5.5	16	31	35.5	8	8	0.56
CRA70.1-10P	70.1	48	35	48	40	23	6.5	16	45.5	51.0	14	14	0.85
CRA73.8-6P	73.8	48	35	48.0	40.0	23	6.5	16	45.5	51	14	14	0.85
CRA77.7-24P	77.7	54	40	50.5	39.5	23	7	21	48	56.8	14	14	1.02
CRA77.7-36P	77.7	54	40	45	34	23	7.0	21	48.0	56.8	14	14	0.92
CRA78.1-1P	78.1	54	40	45	34	23	7	21	48	56.8	14	14	0.92
CRA78.1-2P	78.1	54	40	50.5	39.5	23	7.0	21	48.0	56.8	14	14	1.02
CRA81.8-4P	81.8	54	40	50.5	39.5	23	7.0	21	48	56.8	14	14	1.02
CRA88.4-8P	88.4	59	45	61	48	30	7.0	21	68.0	72.0	15	15	1.69
CRA92.8-3P	92.8	59	45	61.0	48.0	30	7.0	21	68	72	15	15	1.69
CRA101.2-4P	101.2	67	50	50.5	37.5	28	7.0	21	73.0	82.0	18	19	1.85
CRA101.9-1P	101.9	67	50	50.5	37.5	28	7	21	73	82	18	19	1.85
CRA107.7-37P	107.7	71	55	58.5	44.5	31	8.0	33	81.0	95.0	31	36	2.38
CRA107.7-9P	107.7	71	60	69	55	31	8.0	33	81.0	95.0	31	36	2.80
CRA108.5-1P	108.5	71	55	58.5	44.5	31	8	33	81	95	31	36	2.40
CRA111.8-4P	111.8	71	60	69.0	55.0	31	8.0	33	81	95	31	36	2.80
CRA123-30P	123.0	80	60	75.5	59.5	37	8.0	33	110	132	35	38	4.08
CRA123-11P	123.0	79	60	75.8	59.5	37	8	33	110	132	31	36	4.08
CRA127.8-3P	127.8	80	60	75.5	59.5	37	8.0	33	110	132	35	38	4.08
CRA149-33P	149.0	103	60	89	69	45	15	50	151	192	68	71	6.70
CRA153.8-5P	153.8	103	60	89.0	69.0	45	15	50	151	192	68	71	6.70



Axial bearing adjustable with bracket and combined bolt

Bearing No.	Dimensions(mm)							Basic load rating(KN)				Weight (Kg)
	D	H	T	C	B	M*L	d	C	Co	Ca	Coa	
CRA62.5-14P	62.5	43	50	17.5	20	10*13	30	31	35.5	8	8	0.65
CRA64.8-9P	64.8	43	50	17.5	20	10*13	30	31	35.5	8	8	0.68
CRA70.1-21P	70.1	55	60	25.5	23	12*18	40	45.5	51	14	14	1.10
CRA73.8-9P	73.8	55	60	25.5	23	12*18	40	45.5	51	14	14	1.15
CRA77.7-25P	77.7	54.5	60	24.5	23	12*18	40	48	56.8	14	14	1.20
CRA81.8-8P	81.8	54.5	60	24.5	23	12*18	40	48	56.8	14	14	1.30
CRA88.4-14P	88.4	68	70	31	30	14*20	44	68	72	15	15	2.05
CRA92.8-6P	92.8	68	70	31	30	14*20	44	68	72	15	15	2.13
CRA107.7-38P	107.7	75	60	36	31	14*22	54	81	95	31	36	3.20
CRA111.8-7P	111.8	75	80	36	31	14*22	54	81	95	31	36	3.34
CRA123-31P	123.0	79.2	100	34.2	37	16*23	60	110	132	35	38	4.90
CRA127.8-6 P	127.8	79.2	100	34.2	37	16*23	60	110	132	35	38	5.10
CRA149-23P	149.0	89	120	29	45	16*23	80	151	192	38	71	8.00
CRA153.8-8 P	153.8	89	120	29	45	16*23	880	151	192	38	71	8.30