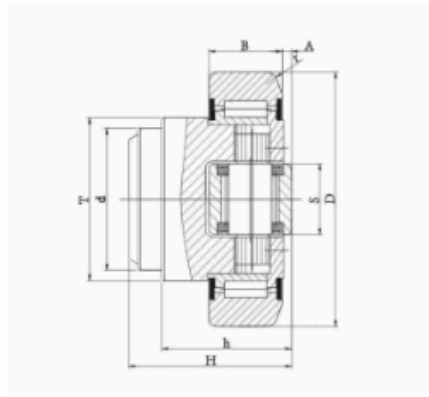


Combined bearing adjustable with screw(roller)

Bearing No.	Dimensions(mm)										Basic load rating(KN)	
	d	d1	D	D1	B	H	H1	H2	F	b	Cr	Cor
CRA69-1S	35	48	42	69.0	23	41.7-44.7	34.5	2.0	7.2	20.0	35.6	52.58
CRA70-1S	35	48	42	70.0	23	48.0-51.0	40.0	5.0	8.0	20.0	35.6	52.58
CRA70.4-6SG1	35	48	42	70.4	23	41.7-44.7	34.5	2.0	7.2	20.0	35.6	52.58
CRA70.4-7SG1	35	48	42	70.4	23	40.7-43.7	31.5	2.0	9.2	20.0	35.6	52.58
CRA77.7-38S	35	52	45	77.7	23	44.5-48.5	34.5	2.5	10.0	20.0	44.3	72.3
CRA78.3-12SG1	35	44	35	78.3	22.5	45.8-48.8	35.0	3.4	10.8	17.0	37.6	49.9
CRA78.3-13SG1	35	44	35	78.3	22.5	53.0-56.0	35.0	3.4	18.0	17.0	37.6	49.9
CRA78.3-15SG1	35	44	35	78.3	22.5	43.8-46.8	33.0	1.4	10.8	17.0	37.6	49.9
CRA78.3-18SG1	35	44	35	78.3	22.5	44.8-47.8	35.0	3.4	9.8	17.0	37.6	49.9
CRA78.5-5S	35	52	45	78.5	23	44.5-48.5	34.5	2.5	10.0	20.0	44.3	72.3
CRA78.6-4S	40	53	45	78.6	23	43.0-46.0	33.0	2.5	10.0	21.0	44.3	72.3
CRA78.6-5S	40	53	45	78.6	23	43.0-46.0	33.0	2.5	10.0	21.0	44.3	72.3
CRA88.9-15TS	45	59	47	88.9	30	47.0-50.0	36.0	3.0	11.0	21.0	72.0	107.0
CRA88.9-16TS	25	59	47	88.9	30	49.5-52.5	43.5	3.0	6.0	21.0	72.0	107.0
CRA89.2-3TS	25	59	47	89.2	30	49.5-52.5	43.5	3.0	6.0	21.0	72.0	107.0
CRA109.7-1S	55	71	63	109.7	31	53.5-56.5	41.5	6.5	12.0	24.5	95.4	160.0
CRA128.7-1 S	60	80	71	128.7	34	59.3-62.3	47.3	3.3	12.0	33.0	97.6	160.0
CRA137.5-1 S	55	71	63	137.5	31	53.5-56.5	41.5	6.5	12.0	24.5	95.4	160.0



Axial Bearing eccentric adjustable with tooth form shaft

Bearing No.	Dimensions(mm)								Basic load rating(KN)				Weight(Kg)
	D	T	d	H	h	B	A	S	Cr	Cor	Ca	Coa	
CRA62.5-3E	62.5	42	30	37.5-39	30.5-32	20	4	20	31	35.5	11	11	0.53
CRA64.8-9E	64.8	42	30	37.5-39	30.5-32	20	4	20	31	35.5	11	11	0.55
CRA70.1-5E	70.1	48	35	44-45.5	36-37.5	23	4	20	45.5	51	11	11	0.80
CRA73.8-2E	73.8	48	35	44-45.5	36-37.5	23	4	20	45.5	51	11	11	0.80
CRA78-1E	78.0	54	40	48-49.5	37-38.5	23	3.5	26	48	56.8	18	18	1.00
CRA78.3-20E	78.3	54	40	40-41.5	29-30.5	23	3.5	26	48	56.8	18	18	0.87
CRA81.8-7E	81.8	54	40	48-49.5	37-38.5	23	3.5	26	48	56.8	18	18	1.05
CRA88.4-2E	88.4	59	45	57-58.5	44-45.5	30	4	26	68	72	23	23	1.62
CRA92.8-1E	92.8	59	45	57-58.5	44-45.5	30	4	26	68	72	23	23	1.65
CRA101.6-1E	101.6	69	50	46-48	33-35	26	4.5	30	73	82	25	27	1.74
CRA108.5-3E	108.5	69	55	54-56	40-42	31	4	30	81	95	25	27	2.27
CRA107.7-3E	107.7	69	60	69-71	55-57	31	4	30	81	95	25	27	2.82
CRA111.8-7E	111.8	69	60	69-71	55-57	31	4	30	81	95	25	27	2.85
CRA123-33E	123.0	80	60	72.3-76.3	56-60	37	5	34	110	132	31	36	3.60
CRA127.8-5E	127.8	80	60	72.3-76.3	56-60	37	5	34	110	132	31	36	4.00
CRA149.4-1E	149.4	108	60	78.5-82.5	58.5-62.5	45	6	34	151	192	31	36	6.30
CRA153.8-7E	153.8	108	60	78.5-82.5	58.5-62.5	45	6	34	151	192	31	36	6.70