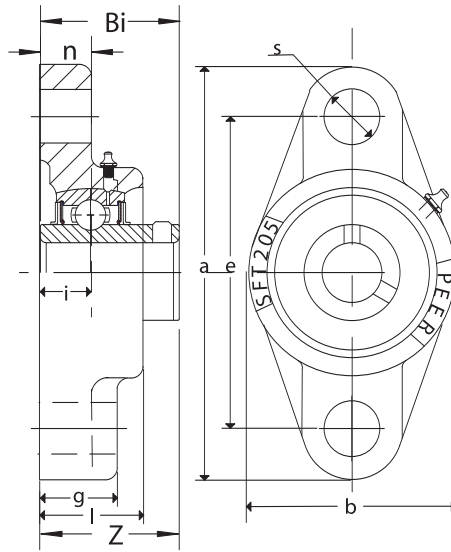
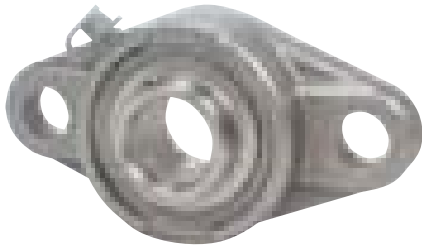




# All Stainless Steel Flange Units 2 Bolt SSUCFT200 Series Set Screw Locking



- For stainless steel grade specifications, see page 103
- Solid base housing construction
- Wide inner ring bearing
- Relubricatable unit with anti-rotation pin
- Supplied with water/wash resistant Mobilgrease FM102 (FDA/USDA approved)
- Standard seal: FDA approved silicone rubber seal protected by stainless steel slinger

## Dimensions in mm

Unit No.	Shaft Diam.	a	e	i	g	l	s	b	Z	Bi	n	Bolt Size In.	Bearing No.	Housing No.
SSUCFT201 -8	1/2												SUC201 -8	
SSUCFT201 -12mm	12mm												SUC201 -12mm	
SSUCFT202 -9	9/16												SUC202 -9	SFT-204-H
SSUCFT202 -10	5/8	4 29/64	3 35/64	19/32	7/16	1	15/32	2 23/32	1.3110	1.220	0.500	3/8	SUC202 -10	
SSUCFT202 -15mm	15mm	113.0	90.0	15.0	11.0	25.4	12.0	60.0	33.300	31.00	12.70		SUC202 -15mm	
SSUCFT203 -11	11/16												SUC203 -11	
SSUCFT203 -17mm	17mm												SUC203 -17mm	
SSUCFT204 -12	3/4												SUC204 -12	
SSUCFT204 -20mm	20mm	4 29/64	3 35/64	19/32	7/16	1	15/32	2 23/32	1.3110	1.220	0.500	3/8	SUC204 -20mm	SFT-204-H
SSUCFT205 -14	7/8												SUC205 -14	
SSUCFT205 -15	15/16	5 1/8	3 57/64	5/8	33/64	1 1/16	5/8	2 43/64	1.4094	1.343	0.563	1/2	SUC205 -15	SFT-205-H
SSUCFT205 -16	1	130.0	99.0	16.0	13.0	27.0	16.0	68.0	35.800	34.10	14.30		SUC205 -16	
SSUCFT205 -25mm	25mm												SUC205 -25mm	
SSUCFT206 -18	1 1/8												SUC206 -18	
SSUCFT206 -19	1 3/16	5 53/64	4 39/64	45/64	33/64	1 7/32	5/8	3 5/32	1.5827	1.500	0.626	1/2	SUC206 -19	SFT-206-H
SSUCFT206 -20	1 1/4(s)	148.0	117.0	18.0	13.0	31.0	16.0	80.0	40.200	38.10	15.90		SUC206 -20	
SSUCFT206 -30mm	30mm												SUC206 -30mm	
SSUCFT207 -20	1 1/4												SUC207 -20	
SSUCFT207 -21	1 5/16	6 11/32	5 1/8	3/4	5/8	1 11/32	5/8	3 35/64	1.7480	1.689	0.689	1/2	SUC207 -21	SFT-207-H
SSUCFT207 -22	1 3/8	161.0	130.0	19.0	16.0	34.0	16.0	90.0	44.400	42.90	17.50		SUC207 -22	
SSUCFT207 -23	1 7/16												SUC207 -23	
SSUCFT207 -35mm	35mm												SUC207 -35mm	
SSUCFT208 -24	1 1/2	6 57/64	5 43/64	53/64	5/8	1 27/64	5/8	3 15/16	2.0157	1.937	0.748	1/2	SUC208 -24	SFT-208-H
SSUCFT208 -40mm	40mm	175.0	144.0	21.0	16.0	36.0	16.0	100.0	51.200	49.20	19.00		SUC208 -40mm	
SSUCFT209 -27	1 11/16												SUC209 -27	
SSUCFT209 -28	1 3/4	7 13/32	5 53/64	55/64	5/8	1 1/2	5/8	4 1/4	2.0551	1.937	0.748	1/2	SUC209 -28	SFT-209-H
SSUCFT209 -45mm	45mm	188.0	148.0	22.0	16.0	38.0	16.0	108.0	52.200	49.20	19.00		SUC209 -45mm	
SSUCFT210 -31	1 15/16												SUC210 -31	
SSUCFT210 -32	2(s)	7 3/4	6 3/16	55/64	5/8	1 37/64	3/4	4 17/32	2.1496	2.031	0.748	5/8	SUC210 -32	SFT-210-H
SSUCFT210 -50mm	50mm	197.0	157.0	22.0	16.0	40.0	19.0	115.0	54.600	51.60	19.00		SUC210 -50mm	
SSUCFT211 -32	2												SUC211 -32	
SSUCFT211 -35	2 3/16	8 13/16	7 1/4	63/64	45/64	1 11/16	3/4	5 1/8	2.2992	2.189	0.874	5/8	SUC211 -35	SFT-211-H
SSUCFT211 -55mm	55mm	224.0	184.0	25.0	18.0	43.0	19.0	130.0	58.400	55.60	22.20		SUC211 -55MM	
SSUCFT212 -39	2 7/16												SUC212 -39	
SSUCFT212 -60mm	60mm	9 27/32	7 61/64	1 9/64	45/64	1 57/64	29/32	5 33/64	2.7047	2.563	1.000	3/4	SUC212 -60MM	SFT-212-H
		250.0	202.0	29.0	18.0	48.0	23.0	140.0	68.700	65.10	25.40			