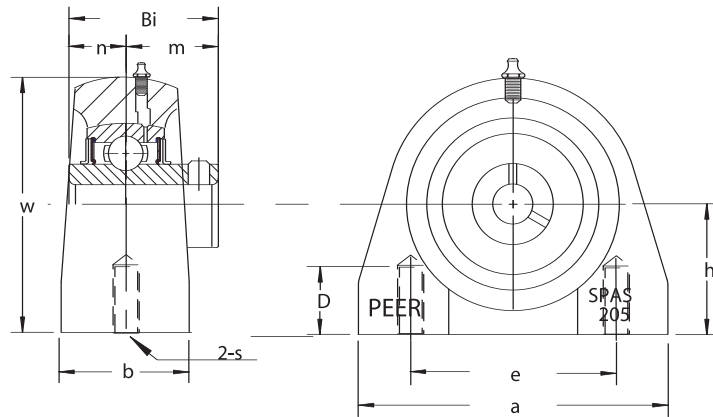


All Stainless Steel Tapped Base Pillow Block Units

SSUCPAS200 Series Set Screw Locking



- For stainless steel grade specifications, see page 103
- Solid base housing construction
- Wide inner ring bearing
- Relubricatable unit with anti-rotation pin
- Supplied with water/wash resistant Mobilgrease FM102 (FDA/USDA approved)
- Standard seal: FDA approved silicone rubber seal protected by stainless steel slinger



Dimensions <small>in mm</small>														
Unit No.	Shaft Diam.	h	a	e	b	S UNC	w	D	Bi	n	m	Bolt Size In.	Bearing No.	Housing No.
SSUCPAS201 -8 SSUCPAS201 -12mm SSUCPAS202 -9 SSUCPAS202 -10 SSUCPAS202 -15mm SSUCPAS203 -11 SSUCPAS203 -17mm	1/2 12mm 9/16 5/8 15mm 11/16 17mm	1 5/16 33.3	2 7/8 73.0	2 50.8	1 1/2 38.0	3/8-16	2 9/16 65.0	33/64 13.0	1.22 31.00	0.500 12.70	0.720 18.30	3/8	SUC201 -8 SUC201 -12mm SUC202 -9 SUC202 -10 SUC202 -15mm SUC203 -11 SUC203 -17mm	SPAS-204-HT
SSUCPAS204 -12 SSUCPAS204 -20mm	3/4 20mm	1 5/16 33.3	2 7/8 73.0	2 50.8	1 1/2 38.0	3/8-16	2 9/16 65.0	33/64 13.0	1.22 31.00	0.500 12.70	0.720 18.30	3/8	SUC204 -12 SUC204 -20mm	SPAS-204-HT
SSUCPAS205 -14 SSUCPAS205 -15 SSUCPAS205 -16 SSUCPAS205 -25mm	7/8 15/16 1 25mm	1 7/16 36.5	3 76.2	2 50.8	1 1/2 38.0	3/8-16	2 51/64 71.0	33/64 13.0	1.34 34.10	0.563 14.30	0.780 19.80	3/8	SUC205 -14 SUC205 -15 SUC205 -16 SUC205 -25mm	SPAS-205-HT
SSUCPAS206 -18 SSUCPAS206 -19 SSUCPAS206 -20 SSUCPAS206 -30mm	1 1/8 1 3/16 1 1/4(s) 30mm	1 11/16 42.9	4 101.6	3 76.2	1 1/2 38.0	7/16-14	3 25/64 86.0	5/8 16.0	1.50 38.10	0.626 15.90	0.874 22.20	7/16	SUC206 -18 SUC206 -19 SUC206 -20 SUC206 -30mm	SPAS-206-HT
SSUCPAS207 -20 SSUCPAS207 -21 SSUCPAS207 -22 SSUCPAS207 -23 SSUCPAS207 -35mm	1 1/4 1 5/16 1 3/8 1 7/16 35mm	1 7/8 47.6	4 1/4 108.0	3 1/4 82.6	1 57/64 48.0	1/2-13	3 3/4 95.0	3/4 19.0	1.69 42.90	0.689 17.50	1.000 25.40	1/2	SUC207 -20 SUC207 -21 SUC207 -22 SUC207 -23 SUC207 -35mm	SPAS-207-HT
SSUCPAS208 -24 SSUCPAS208 -40mm	1 1/2 40mm	1 15/16 49.2	4 39/64 117.0	3 1/2 88.9	1 57/64 48.0	1/2-13	3 15/16 100.0	3/4 19.0	1.94 49.20	0.748 19.00	1.189 30.20	1/2	SUC208 -24 SUC208 -40mm	SPAS-208-HT
SSUCPAS209 -27 SSUCPAS209 -28 SSUCPAS209 -45mm	1 11/16 1 3/4 45mm	2 1/8 54.0	5 127.0	3 3/4 95.3	2 50.8	1/2-13	4 1/4 108.0	3/4 19.0	1.94 49.20	0.748 19.00	1.189 30.20	1/2	SUC209 -27 SUC209 -28 SUC209 -45mm	SPAS-209-HT
SSUCPAS210 -31 SSUCPAS210 -32 SSUCPAS210 -50mm	1 15/16 2(s) 50mm	2 1/4 57.2	5 1/2 140.0	4 101.6	2 50.8	5/8-11	4 39/64 117.0	55/64 22.0	2.03 51.60	0.748 19.00	1.283 32.60	5/8	SUC210 -31 SUC210 -32 SUC210 -50mm	SPAS-210-HT

Wash Down Units