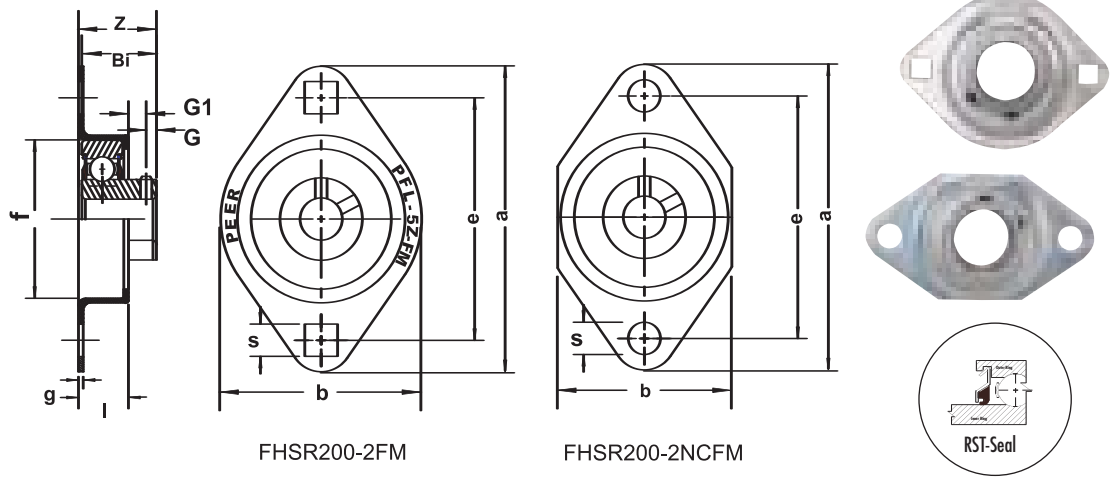


# Flange Units - Pressed Steel 2 Bolt FHSR200-2FM / FHSR200-2NCFM Series



- One piece, light duty pressed steel housing
- Flush mount style ideal in tight mounting areas
- Zinc plated stamped steel
- Narrow inner ring bearing
- Standard seal: RST tight riding, full cover, metal shroud seals

Optional seals: See page 85



FHSR200-2FM

FHSR200-2NCFM

RST-Seal

## FHSR200-2FM Set Screw Locking

Unit No.	Shaft Diam.	Dimensions <sup>in</sup> / <sub>mm</sub>											Bolt Size In.	Bearing No.	Housing No.			
		a	e	b	g	s	l	Z	Bi	G1	G	f						
FHSR201 -8-2FM	1/2																	
FHSR201 -12mm-2FM	12mm																	
FHSR202 -9-2FM	9/16																	
FHSR202 -10-2FM	5/8	3 3/16	2 1/2	2 5/16	.074	9/32	.591	0.96	0.89	.172	.197	1.5748	1/4	FHSR201 -8	PFL-3Z-FM			
FHSR202 -15mm-2FM	15mm	80.96	63.5	58.74	1.88	7.14	15.0	24.38	22.50	4.38	5.0	40.0		FHSR201 -12mm				
FHSR203 -11-2FM	11/16													FHSR202 -9				
FHSR203 -17mm-2FM	17mm													FHSR202 -10				
														FHSR202 -15mm				
FHSR204 -12-2FM	3/4													FHSR203 -11	PFL-4Z-FM			
FHSR204 -13-2FM	13/16	3 9/16	2 13/16	2 5/8	.074	11/32	.591	1.06	0.98	.226	.177	1.8504	5/16	FHSR204 -12				
FHSR204 -20mm-2FM	20mm	90.5	71.4	66.7	1.9	8.7	15.0	26.90	25.00	5.7	4.5	47.0		FHSR204 -13				
FHSR205 -12-2FM	3/4													FHSR204 -20mm	PFL-5Z-FM			
FHSR205 -13-2FM	13/16													FHSR205 -12				
FHSR205 -14-2FM	7/8	3 3/4	3	2 51/64	.074	11/32	.682	1.14	1.06	.1922	.1968	2.0472	5/16	FHSR205 -13				
FHSR205 -15-2FM	15/16	95.3	76.2	71.0	1.9	8.7	17.3	28.90	27.00	4.9	5.0	52.0		FHSR205 -14				
FHSR205 -16-2FM	1													FHSR205 -15				
FHSR205 -25mm-2FM	25mm													FHSR205 -16				
FHSR206 -17-2FM	1 1/16													FHSR205 -25mm	PFL-6Z-FM			
FHSR206 -18-2FM	1 1/8	4 7/16	3 9/16	3 1/4	.089	13/32	.709	1.27	1.18	.2779	.285	2.4409	3/8	FHSR206 -17				
FHSR206 -19-2FM	1 3/16	112.7	90.5	82.6	2.3	10.3	18.0	32.30	30.00	7.1	7.24	62.0		FHSR206 -18				
FHSR206 -20-2FM	1 1/4(s)													FHSR206 -19				
FHSR206 -30mm-2FM	30mm													FHSR206 -20				

Standard Mounted Units

## FHSR200-2NCFM Set Screw Locking

Unit No.	Shaft Diam.	Dimensions <sup>in</sup> / <sub>mm</sub>											Bolt Size In.	Bearing No.	Housing No.		
		a	e	b	g	s	l	Z	Bi	G1	G	f					
FHSR205 -12-2NCFM	3/4																
FHSR205 -13-2NCFM	13/16																
FHSR205 -14-2NCFM	7/8	4 1/8	3 1/4	2 1/4	.062	7/16	.661	1.13	1.06	.2132	.1968	2.0472	3/8	FHSR205 -12	PFL-5Z-NCFM		
FHSR205 -15-2NCFM	15/16	104.8	82.6	57.2	1.6	11.1	16.8	28.60	27.00	4.9	5.0	52.0		FHSR205 -13			
FHSR205 -16-2NCFM	1													FHSR205 -14			
FHSR205 -16-2NCFM	1													FHSR205 -15			
FHSR205 -25m-2NCFM	25mm													FHSR205 -16			

Unit also available in FHR locking collar style bearing:  
Example FHR205-16-2FM or FHR205-16-2NCFM