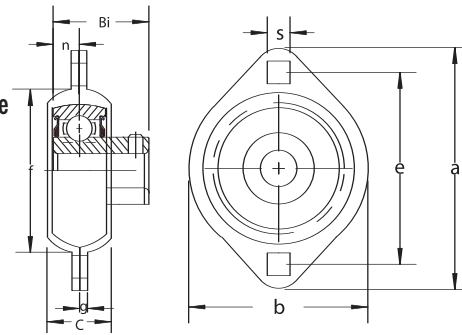


# Flange Units – Pressed Steel 2 Bolt FHSPFLZ200 / FHPFLZ200 Series

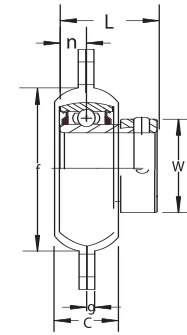


- Two light duty, self-aligning pressed steel housings
- Zinc plated stamped steel (shown)
- Non-plated, raw stamped steel available (FHSPFLR/FHPFLR Series)
- Narrow inner ring bearing
- Standard seal: RST tight riding, full cover, metal shroud seals

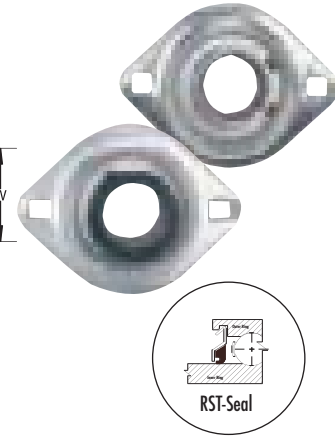
Optional seals: See page 85



FHSPFLZ200



FHPFLZ200



## FHSPFLZ200 Set Screw Locking

Unit No.	Shaft Diam.	Dimensions <sup>in</sup> / <sub>mm</sub>									Bolt Size In.	Bearing No.	Housing No.
		a	e	g	c	s	b	f	Bi	n			
FHSPFLZ201 -8 FHSPFLZ201 -12mm FHSPFLZ202 -9 FHSPFLZ202 -10 FHSPFLZ202 -15mm FHSPFLZ203 -11 FHSPFLZ203 -17mm	1/2 12mm 9/16 5/8 15mm 11/16 17mm	3 3/16 81	2 1/2 64	.065 1.7	9/16 14	9/32 7	2 15/16 59	1 15/16 49	0.886 22.50	0.256 6.50	1/4	FHS201 -8 FHS201 -12mm FHS202 -9 FHS202 -10 FHS202 -15mm FHS203 -11 FHS203 -17mm	PFL-3Z
FHSPFLZ204 -12 FHSPFLZ204 -13 FHSPFLZ204 -20mm	3/4 13/16 20mm	3 9/16 90	2 13/16 71	.083 2.1	5/8 16	11/32 9	2 5/8 67	2 3/16 56	0.984 25.00	0.295 7.50	5/16	FHS204 -12 FHS204 -13 FHS204 -20mm	PFL-4Z
FHSPFLZ205 -12 FHSPFLZ205 -13 FHSPFLZ205 -14 FHSPFLZ205 -15 FHSPFLZ205 -16 FHSPFLZ205 -25mm	3/4 13/16 7/8 15/16 1 25mm	3 3/4 95	3 76	.083 2.1	11/16 17	11/32 9	2 51/64 71	2 3/8 60	1.063 27.00	0.295 7.50	5/16	FHS205 -12 FHS205 -13 FHS205 -14 FHS205 -15 FHS205 -16 FHS205 -25mm	PFL-5Z
FHSPFLZ206 -17 FHSPFLZ206 -18 FHSPFLZ206 -19 FHSPFLZ206 -20 FHSPFLZ206 -30mm	1 1/16 1 1/8 1 3/16 1 1/4(s) 30mm	4 7/16 113	3 9/16 90	.104 2.6	11/16 17	13/32 10	3 5/16 84	2 13/16 71	1.181 30.00	0.354 9.00	3/8	FHS206 -17 FHS206 -18 FHS206 -19 FHS206 -20 FHS206 -30mm	PFL-6Z
FHSPFLZ207 -20 FHSPFLZ207 -21 FHSPFLZ207 -22 FHSPFLZ207 -23 FHSPFLZ207 -35mm	1 1/4 1 5/16 1 3/8 1 7/16 35mm	4 15/16 125	3 15/16 100	.104 2.6	7/8 22	13/32 10	3 11/16 94	3 3/16 81	1.260 32.00	0.374 9.50	3/8	FHS207 -20 FHS207 -21 FHS207 -22 FHS207 -23 FHS207 -35mm	PFL-7Z

## FHPFLZ200 Eccentric Locking Collar

Unit No.	Shaft Diam.	Dimensions <sup>in</sup> / <sub>mm</sub>									Bolt Size In.	Bearing No.	Housing No.	
		a	e	g	c	s	b	f	L	n				W
FHPFLZ201 -8 FHPFLZ201 -12mm FHPFLZ202 -9 FHPFLZ202 -10 FHPFLZ202 -15mm FHPFLZ203 -11 FHPFLZ203 -17mm	1/2 12mm 9/16 5/8 15mm 11/16 17mm	3 3/16 81	2 1/2 64	.065 1.7	9/16 14	9/32 7	2 15/16 59	1 15/16 49	1.126 28.60	0.256 6.50	1.13 28.60	1/4	FHZ01 -8 FHZ01 -12mm FHZ02 -9 FHZ02 -10 FHZ02 -15mm FHZ03 -11 FHZ03 -17mm	PFL-3Z
FHPFLZ204 -12 FHPFLZ204 -20mm	3/4 20mm	3 9/16 90	2 13/16 71	.083 2.1	5/8 16	11/32 9	2 5/8 67	2 3/16 56	1.220 31.00	0.295 7.50	1.26 32.00	5/16	FHZ04 -12 FHZ04 -20mm	PFL-4Z
FHPFLZ205 -13 FHPFLZ205 -14 FHPFLZ205 -15 FHPFLZ205 -16 FHPFLZ205 -25mm	13/16 7/8 15/16 1 25mm	3 3/4 95	3 76	.083 2.1	11/16 17	11/32 9	2 51/64 71	2 3/8 60	1.220 31.00	0.295 7.50	1.50 38.10	5/16	FHZ05 -13 FHZ05 -14 FHZ05 -15 FHZ05 -16 FHZ05 -25mm	PFL-5Z
FHPFLZ206 -17 FHPFLZ206 -18 FHPFLZ206 -19 FHPFLZ206 -20 FHPFLZ206 -30mm	1 1/16 1 1/8 1 3/16 1 1/4(s) 30mm	4 7/16 113	3 9/16 90	.104 2.6	11/16 17	13/32 10	3 5/16 84	2 13/16 71	1.406 35.70	0.354 9.00	1.75 44.50	3/8	FHZ06 -17 FHZ06 -18 FHZ06 -19 FHZ06 -20 FHZ06 -30mm	PFL-6Z
FHPFLZ207 -20 FHPFLZ207 -21 FHPFLZ207 -22 FHPFLZ207 -23 FHPFLZ207 -35mm	1 1/4 1 5/16 1 3/8 1 7/16 35mm	4 15/16 125	3 15/16 100	.104 2.6	7/8 22	13/32 10	3 11/16 94	3 3/16 81	1.531 38.90	0.374 9.50	2.19 55.60	3/8	FHZ07 -20 FHZ07 -21 FHZ07 -22 FHZ07 -23 FHZ07 -35mm	PFL-7Z

Stamped housings can be made in AISI 304 stainless steel. Combine with stainless steel bearing for maximum corrosion resistance:  
Example: SSFHSPFL205-16

Standard Mounted Units