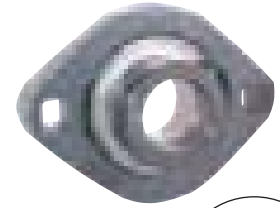
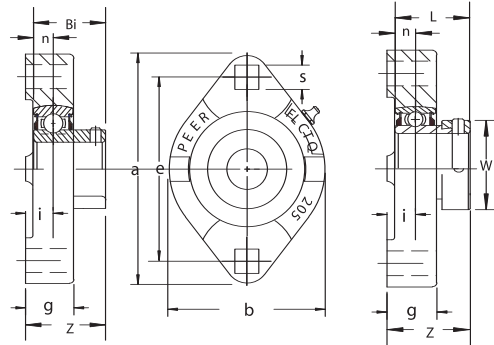


Flange Units – Ductile Flush 2 Bolt

FHSFLCTQ200-G / FHFLCTQ200-G Series



- Standard duty, high strength ductile iron
- Narrow inner ring bearing
- Relubricatable unit (shown)
- Non-relubricatable unit available (omit "G" from unit part number)
- Standard seal: RST tight riding, full cover, metal shroud seals



Optional seals: See page 85

FHSFLCTQ200-G Set Screw Locking

FHSFLCTQ200-G

FHFLCTQ200-G

Unit No.	Dimensions ⁱⁿ / _{mm}											Bolt Size In.	Bearing No.	Housing No.
	Shaft Diam.	a	e	b	S1 Square	g	i	Z	Bi	n				
FHSFLCTQ201 -8G FHSFLCTQ201 -12mmG FHSFLCTQ202 -9G FHSFLCTQ202 -10G FHSFLCTQ202 -15mmG FHSFLCTQ203 -11G FHSFLCTQ203 -17mmG	1/2 12mm 9/16 5/8 15mm 11/16 17mm	3 3/16 81.0	2 1/2 63.5	2 5/16 58.7	9/32 7.1	37/64 14.7	19/64 7.5	0.93 23.5	0.886 22.50	0.256 6.50	1/4	FHS201 -8G FHS201 -12mmG FHS202 -9G FHS202 -10G FHS202 -15mmG FHS203 -11G FHS203 -17mmG	FLCTQ-203-H	
FHSFLCTQ204 -12G FHSFLCTQ204 -13G FHSFLCTQ204 -20mmG	3/4 13/16 20mm	3 9/16 90.5	2 13/16 71.4	2 5/8 66.7	3/8 9.5	43/64 17.1	21/64 8.3	1.02 25.8	0.984 25.00	0.295 7.50	5/16	FHS204 -12G FHS204 -13G FHS204 -20mmG	FLCTQ-204-H	
FHSFLCTQ205 -12G FHSFLCTQ205 -13G FHSFLCTQ205 -14G FHSFLCTQ205 -15G FHSFLCTQ205 -16G FHSFLCTQ205 -25mmG	3/4 13/16 7/8 15/16 1 25mm	3 3/4 95.3	3 76.2	2 51/64 71.0	3/8 9.5	11/16 17.5	11/32 8.7	1.11 28.2	1.063 27.00	0.295 7.50	5/16	FHS205 -12G FHS205 -13G FHS205 -14G FHS205 -15G FHS205 -16G FHS205 -25mmG	FLCTQ-205-H	
FHSFLCTQ206 -17G FHSFLCTQ206 -18G FHSFLCTQ206 -19G FHSFLCTQ206 -20G FHSFLCTQ206 -30mmG	1 1/16 1 1/8 1 3/16 1 1/4(s) 30mm	4 7/16 112.7	3 9/16 90.5	3 5/16 84.1	7/16 11.1	13/16 20.6	13/32 10.3	1.23 31.3	1.181 30.00	0.354 9.00	3/8	FHS206 -17G FHS206 -18G FHS206 -19G FHS206 -20G FHS206 -30mmG	FLCTQ-206-H	
FHSFLCTQ207 -20G FHSFLCTQ207 -21G FHSFLCTQ207 -22G FHSFLCTQ207 -23G FHSFLCTQ207 -35mmG	1 1/4 1 5/16 1 3/8 1 7/16 35mm	4 15/16 125.4	3 15/16 100.0	3 11/16 93.7	7/16 11.1	7/8 22.2	7/16 11.1	1.32 33.6	1.260 32.00	0.374 9.50	3/8	FHS207 -20G FHS207 -21G FHS207 -22G FHS207 -23G FHS207 -35mmG	FLCTQ-207-H	

FHFLCTQ200-G Eccentric Locking Collar

Unit No.	Dimensions ⁱⁿ / _{mm}											Bolt Size In.	Bearing No.	Housing No.
	Shaft Diam.	a	e	b	S Square	g	i	Z	L	n	W			
FHFLCTQ201 -8G FHFLCTQ201 -12mmG FHFLCTQ202 -9G FHFLCTQ202 -10G FHFLCTQ202 -15mmG FHFLCTQ203 -11G FHFLCTQ203 -17mmG	1/2 12mm 9/16 5/8 15mm 11/16 17mm	3 3/16 81.0	2 1/2 63.5	2 5/16 58.7	9/32 7.1	37/64 14.7	19/64 7.5	1.17 29.6	1.126 28.60	0.256 6.50	1.13 28.60	1/4	FH201 -8G FH201 -12mmG FH202 -9G FH202 -10G FH202 -15mmG FH203 -11G FH203 -17mmG	FLCTQ-203-H
FHFLCTQ204 -12G FHFLCTQ204 -20mmG	3/4 20mm	3 9/16 90.5	2 13/16 71.4	2 5/8 66.7	3/8 9.5	43/64 17.1	21/64 8.3	1.25 31.8	1.220 31.00	0.259 7.50	1.26 32.00	5/16	FH204 -12G FH204 -20mmG	FLCTQ-204-H
FHFLCTQ205 -13G FHFLCTQ205 -14G FHFLCTQ205 -15G FHFLCTQ205 -16G FHFLCTQ205 -25mmG	13/16 7/8 15/16 1 25mm	3 3/4 95.3	3 76.2	2 51/64 71.0	3/8 9.5	11/16 17.5	11/32 8.7	1.27 32.2	1.220 31.00	0.259 7.50	1.50 38.10	5/16	FH205 -13G FH205 -14G FH205 -15G FH205 -16G FH205 -25mmG	FLCTQ-205-H
FHFLCTQ206 -17G FHFLCTQ206 -18G FHFLCTQ206 -19G FHFLCTQ206 -20G FHFLCTQ206 -30mmG	1 1/16 1 1/8 1 3/16 1 1/4(s) 30mm	4 7/16 112.7	3 9/16 90.5	3 5/16 84.1	7/16 11.1	13/16 20.6	13/32 10.3	1.46 37.0	1.406 35.70	0.354 9.00	1.75 44.50	3/8	FH206 -17G FH206 -18G FH206 -19G FH206 -20G FH206 -30mmG	FLCTQ-206-H
FHFLCTQ207 -20G FHFLCTQ207 -21G FHFLCTQ207 -22G FHFLCTQ207 -23G FHFLCTQ207 -35mmG	1 1/4 1 5/16 1 3/8 1 7/16 35mm	4 15/16 125.4	3 15/16 100.0	3 11/16 93.7	7/16 11.1	7/8 22.2	7/16 11.1	1.59 40.5	1.531 38.90	0.374 9.50	2.19 55.60	3/8	FH207 -20G FH207 -21G FH207 -22G FH207 -23G FH207 -35mmG	FLCTQ-207-H

Standard Mounted Units