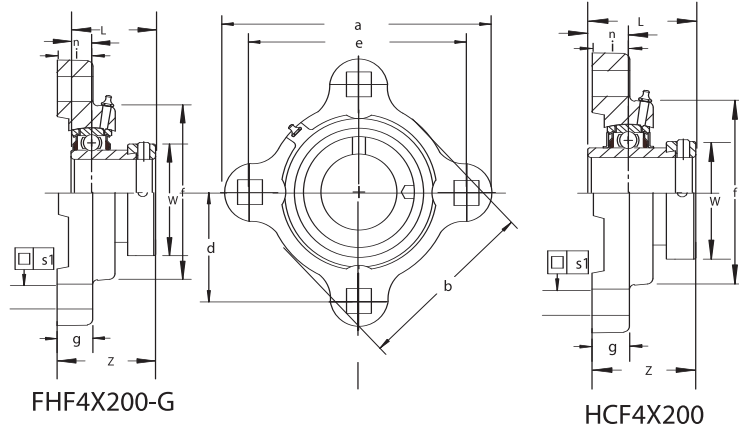


Flange Units - Ductile 4 Bolt

FHF4X200-G / HCF4X200 Series Eccentric Locking Collar



- High strength ductile iron
- Solid foot housing design
- Wide inner ring bearing "HC" (requires through panel mounting surface)
- Relubricatable unit (shown)
- Non-relubricatable unit available with FH bearings only (omit "G" from unit part number)
- Standard seal on FHF4X200-G Series: RST tight riding, full cover, metal shroud seals
- Standard seal on HCF4X200 Series: R-Seal



Optional seals: See page 85

FHF4X200-G

Unit No.	Shaft Diam.	Dimensions <small>in mm</small>											Bolt Size In.	Bearing No.	Housing No.	
		a	e	i	b	d	g	s	f	Z	L	n				W
FHF4X208 -24G	1 1/2	5 13/16 147.6	4 11/16 119.1	.626 15.90	3 7/8 98.4	2 11/32 59.55	5/8 15.9	17/32 13.5	3.531 89.69	1.91 48.6	1.7205 43.700	0.433 11.00	2.38 60.40	1/2	FH208 -24G FH208 -25G FH208 -40mmG	F4X-208-HT
FHF4X208 -25G																
FHF4X208 -40mmG																
FHF4X209 -26G	1 5/8	5 7/8 149.2	4 3/4 120.7	.626 15.90	4 7/32 107.2	2 3/8 60.35	5/8 15.9	17/32 13.5	3.781 96.04	1.91 48.6	1.7205 43.700	0.433 11.00	2.50 63.50	1/2	FH209 -26G FH209 -27G FH209 -28G FH209 -45mmG	F4X-209-HT
FHF4X209 -27G																
FHF4X209 -28G																
FHF4X209 -45mmG																
FHF4X210 -29G	1 13/16	6 1/8 155.6	5 127.0	.626 15.90	4 15/32 113.5	2 1/2 63.5	5/8 15.9	17/32 13.5	3.969 100.81	1.91 48.6	1.7205 43.700	0.433 11.00	2.75 69.90	1/2	FH210 -29G FH210 -30G FH210 -31G FH210 -32G FH210 -50mmG	F4X-210-HT
FHF4X210 -30G																
FHF4X210 -31G																
FHF4X210 -32G																
FHF4X210 -50mmG																

HCF4X200

Unit No.	Shaft Diam.	Dimensions <small>in mm</small>											Bolt Size In.	Bearing No.	Housing No.	
		a	e	i	b	d	g	s	f	Z	L	n				W
HCF4X208 -24	1 1/2	5 13/16 147.6	4 11/16 119.1	.626 15.90	3 7/8 98.4	2 11/32 59.55	5/8 15.9	17/32 13.5	3.531 89.69	2.00 50.8	2.2165 56.300	0.843 21.40	2.37 60.30	1/2	HC208 -24 HC208 -25 HC208 -40mm	F4X-208-HT
HCF4X208 -25																
HCF4X208 -40mm																
HCF4X209 -26	1 5/8	5 7/8 149.2	4 3/4 120.7	.626 15.90	4 7/32 107.2	2 3/8 60.35	5/8 15.9	17/32 13.5	3.781 96.04	2.00 50.8	2.2165 56.300	0.843 21.40	2.50 63.50	1/2	HC209 -26 HC209 -27 HC209 -28 HC209 -45mm	F4X-209-HT
HCF4X209 -27																
HCF4X209 -28																
HCF4X209 -45mm																
HCF4X210 -29	1 13/16	6 1/8 155.6	5 127.0	.626 15.90	4 15/32 113.5	2 1/2 63.5	5/8 15.9	17/32 13.5	3.969 100.81	2.13 54.0	2.4685 62.700	0.969 24.60	2.75 69.90	1/2	HC210 -29 HC210 -30 HC210 -31 HC210 -32 HC210 -50mm	F4X-210-HT
HCF4X210 -30																
HCF4X210 -31																
HCF4X210 -32																
HCF4X210 -50mm																

1. Units available with "FHS" or "UC" style set screw locking bearing
2. Units available with "GR" Grip-It 360 degree locking style bearing
3. Units available for reverse mounting applications with any insert bearing
Example: HCF4X210-31-REV

Standard Mounted Units