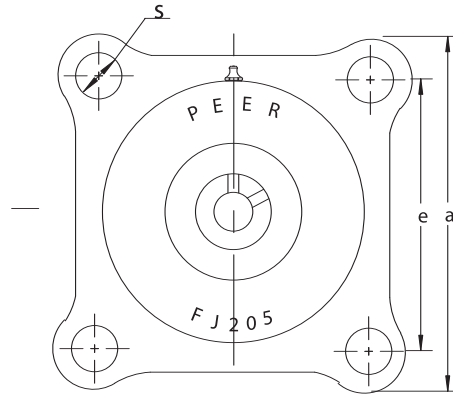
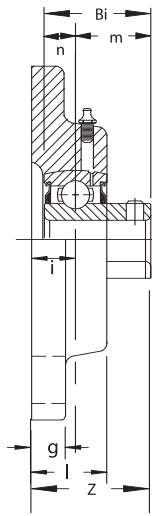
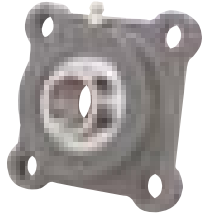




# Flange Units – Narrow 4 Bolt

## FHSFJ200-G Series Set Screw Locking



- Standard duty, high-grade cast iron
- Narrow housing follows USA/Domestic dimensions.
- Narrow inner ring bearing
- Relubricatable unit (shown)
- Non-relubricatable unit available (omit "G" from unit part number)
- Standard seal: RST tight riding, full cover, metal shroud seals

Optional seals: See page 85

### Dimensions in mm

Unit No.	Shaft Diam.	a	e	i	g	l	s	Z	Bi	n	m	Bolt Size In.	Bearing No.	Housing No.
FHSFJ201 -8G FHSFJ201 -12mmG FHSFJ202 -9G FHSFJ202 -10G FHSFJ202 -15mmG FHSFJ203 -11G FHSFJ203 -17mmG	1/2 12mm 9/16 5/8 15mm 11/16 17mm	3 76.2	2 1/8 54.0	3/8 9.50	7/16 11.1	45/64 17.9	27/64 11.0	1.00 25.5	0.886 22.50	0.256 6.50	0.63 16.00	3/8	FHS201 -8G FHS201 -12mmG FHS202 -9G FHS202 -10G FHS202 -15mmG FHS203 -11G FHS203 -17mmG	FJ-203-H
FHSFJ204 -12G FHSFJ204 -13G FHSFJ204 -20mmG	3/4 13/16 20mm	3 3/8 85.7	2 1/2 63.5	33/64 13.10	3/8 9.5	7/8 22.2	27/64 11.0	1.20 30.6	0.984 25.00	0.295 7.50	0.69 17.50	3/8	FHS204 -12G FHS204 -13G FHS204 -20mmG	FJ-204-H
FHSFJ205 -12G FHSFJ205 -13G FHSFJ205 -14G FHSFJ205 -15G FHSFJ205 -16G FHSFJ205 -25mmG	3/4 13/16 7/8 15/16 1 25mm	3 3/4 95.3	2 3/4 69.9	13/32 10.30	17/32 13.5	25/32 19.8	15/32 12.0	1.17 29.8	1.063 27.00	0.295 7.50	0.77 19.50	3/8	FHS205 -12G FHS205 -13G FHS205 -14G FHS205 -15G FHS205 -16G FHS205 -25mmG	FJ-205-H
FHSFJ206 -17G FHSFJ206 -18G FHSFJ206 -19G FHSFJ206 -20G FHSFJ206 -30mmG	1 1/16 1 1/8 1 3/16 1 1/4(s) 30mm	4 1/4 107.9	3 1/4 82.6	7/16 11.10	9/16 14.3	27/32 21.4	15/32 12.0	1.26 32.1	1.181 30.00	0.354 9.00	0.83 21.00	3/8	FHS206 -17G FHS206 -18G FHS206 -19G FHS206 -20G FHS206 -30mmG	FJ-206-H
FHSFJ207 -20G FHSFJ207 -21G FHSFJ207 -22G FHSFJ207 -23G FHSFJ207 -35mmG	1 1/4 1 5/16 1 3/8 1 7/16 35mm	4 5/8 117.5	3 5/8 92.1	31/64 12.30	19/32 15.1	31/32 24.6	17/32 13.5	1.37 34.8	1.260 32.00	0.374 9.50	0.89 22.50	7/16	FHS207 -20G FHS207 -21G FHS207 -22G FHS207 -23G FHS207 -35mmG	FJ-207-H
FHSFJ208 -24G FHSFJ208 -25G FHSFJ208 -40mmG	1 1/2 1 9/16 40mm	5 1/8 130.2	4 101.6	33/64 13.10	5/8 15.9	1 1/32 26.2	37/64 15.0	1.58 40.1	1.496 38.00	0.433 11.00	1.06 27.00	1/2	FHS208 -24G FHS208 -25G FHS208 -40mmG	FJ-208-H

1. Units available with "FH" locking collar bearing: Example FHFJ205-16G
2. Bolt hole diameter ('s' dimension) can be drilled to your specifications