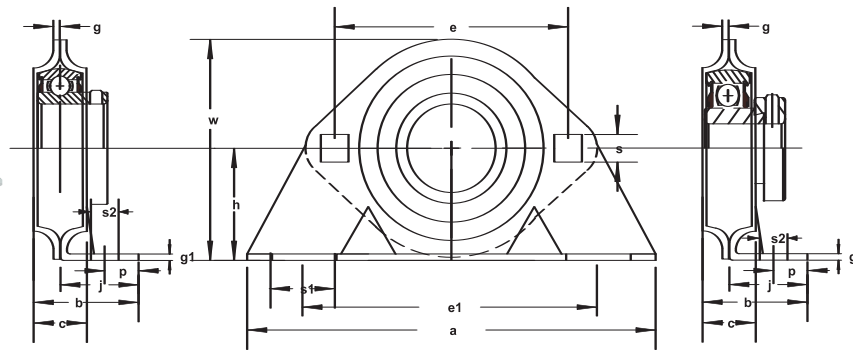
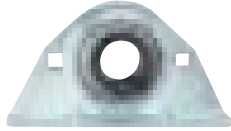




# Pillow Blocks – Pressed Steel Stand

## FHSPBPFLZ200 / FHPBPFLZ200 Series



FHSPBPFLZ200

FHPBPFLZ200 Series

- Light duty, self-aligning pressed steel housings
- Unit assembled with one piece 2-bolt flange housing (PFL) bolted to the side of a one piece stand up housing (PB)
- Narrow inner ring bearing
- Standard seal: RST tight riding, full cover, metal shroud seals

Optional seals: See page 85

### FHSPBPFLZ200 Set Screw Locking

Dimensions in mm																			
Unit No.	Shaft Diam.	h	a	e	e1	b	s1	s2	g	g1	w	f	c	p	j	s	Bearing No.	Stand Housing No.	Flange No.
FHSPBPFLZ201 -8	1/2																FHS201 -8		
FHSPBPFLZ201 -12mm	12mm																FHS201 -12mm		
FHSPBPFLZ202 -9	9/16																FHS202 -9	PB-3Z	PFL-3Z
FHSPBPFLZ202 -10	5/8	1 3/16	4 7/8	2 1/2	3 5/8	1 9/32	5/8	13/32	.075	.104	2 11/32	1 15/16	9/16	13/32	1	9/32	FHS202 -10		
FHSPBPFLZ202 -15mm	15mm	30.16	123.83	63.50	92.08	32.54	15.89	10.32	1.91	2.64	59.53	49.21	14.29	10.32	25.40	7.14	FHS202 -15mm		
FHSPBPFLZ203 -11	11/16																FHS203 -11		
FHSPBPFLZ203 -17mm	17mm																FHS203 -17mm		
FHSPBPFLZ204 -12	3/4																FHS204 -12		
FHSPBPFLZ204 -13	13/16	1 5/16	5	2 13/16	3 13/16	1 5/16	5/8	13/32	.083	.119	2 11/16	2 3/16	5/8	13/32	1	11/32	FHS204 -13	PB-4Z	PFL-4Z
FHSPBPFLZ204 -20mm	20mm	33.34	127.00	71.44	96.84	33.33	15.89	10.32	2.11	3.02	68.26	55.56	15.89	10.32	25.40	8.73	FHS204 -20mm		
FHSPBPFLZ205 -12	3/4																FHS205 -12		
FHSPBPFLZ205 -13	13/16																FHS205 -13		
FHSPBPFLZ205 -14	7/8	1 7/16	5 1/4	3	3 3/4	1 11/32	13/16	7/16	.083	.134	2 27/32	2 3/8	11/16	7/16	1	11/32	FHS205 -14	PB-5Z	PFL-5Z
FHSPBPFLZ205 -15	15/16	36.51	133.35	76.20	95.25	34.13	20.64	11.11	2.11	3.40	72.23	60.33	17.46	11.11	25.40	8.73	FHS205 -15		
FHSPBPFLZ205 -16	1																FHS205 -16		
FHSPBPFLZ205 -25mm	25mm																FHS205 -25mm		
FHSPBPFLZ206 -17	1 1/16																FHS206 -17		
FHSPBPFLZ206 -18	1 1/8																FHS206 -18		
FHSPBPFLZ206 -19	1 3/16	1 11/16	6 1/4	3 9/16	4 11/16	1 17/32	7/8	9/16	.104	.134	3 11/32	2 13/16	11/16	9/16	1 3/16	13/32	FHS206 -19	PB-6Z	PFL-6Z
FHSPBPFLZ206 -20	1 1/4(s)	42.86	158.75	90.49	119.06	38.89	22.23	14.29	2.64	3.40	84.93	71.44	17.46	14.29	4.76	10.32	FHS206 -20		
FHSPBPFLZ206 -30mm	30mm																FHS206 -30mm		
FHSPBPFLZ207 -20	1 1/4																FHS207 -20		
FHSPBPFLZ207 -21	1 5/16																FHS207 -21		
FHSPBPFLZ207 -22	1 3/8	1 7/8	6 1/2	3 15/16	5	1 13/16	7/8	9/16	.104	.149	3 23/32	3 3/16	7/8	9/16	1 3/8	13/32	FHS207 -22	PB-7Z	PFL-7Z
FHSPBPFLZ207 -23	1 7/16	47.63	165.10	100.01	127.00	46.04	22.23	14.29	2.64	3.78	94.46	80.96	22.23	14.29	34.93	10.32	FHS207 -23		
FHSPBPFLZ207 -35mm	35mm																FHS207 -35mm		

### FHPBPFLZ200 Eccentric Locking Collar

Dimensions in mm																			
Unit No.	Shaft Diam.	h	a	e	e1	b	s1	s2	g	g1	w	f	c	p	j	s	Bearing No.	Stand Housing No.	Flange No.
FHPBPFLZ201 -8	1/2																FH201 -8		
FHPBPFLZ201 -12mm	12mm																FH201 -12mm		
FHPBPFLZ202 -9	9/16																FH202 -9	PB-3Z	PFL-3Z
FHPBPFLZ202 -10	5/8	1 3/16	4 7/8	2 1/2	3 5/8	1 9/32	5/8	13/32	.075	.104	2 11/32	1 15/16	9/16	13/32	1	9/32	FH202 -10		
FHPBPFLZ202 -15mm	15mm	30.16	123.83	63.50	92.08	32.54	15.89	10.32	1.91	2.64	59.53	49.21	14.29	10.32	25.40	7.14	FH202 -15mm		
FHPBPFLZ203 -11	11/16																FH203 -11		
FHPBPFLZ203 -17mm	17mm																FH203 -17mm		
FHPBPFLZ204 -12	3/4																FH204 -12		
FHPBPFLZ204 -20mm	20mm	1 5/16	5	2 13/16	3 13/16	1 5/16	5/8	13/32	.083	.119	2 11/16	2 3/16	5/8	13/32	1	11/32	FH204 -20mm	PB-4Z	PFL-4Z
FHPBPFLZ205 -13	13/16																FH205 -13		
FHPBPFLZ205 -14	7/8	1 7/16	5 1/4	3	3 3/4	1 11/32	13/16	7/16	.083	.134	2 27/32	2 3/8	11/16	7/16	1	11/32	FH205 -14	PB-5Z	PFL-5Z
FHPBPFLZ205 -15	15/16	36.51	133.35	76.20	95.25	34.13	20.64	11.11	2.11	3.40	72.23	60.33	17.46	11.11	25.40	8.73	FH205 -15		
FHPBPFLZ205 -16	1																FH205 -16		
FHPBPFLZ205 -25mm	25mm																FH205 -25mm		
FHPBPFLZ206 -17	1 1/16																FH206 -17		
FHPBPFLZ206 -18	1 1/8																FH206 -18		
FHPBPFLZ206 -19	1 3/16	1 11/16	6 1/4	3 9/16	4 11/16	1 17/32	7/8	9/16	.104	.134	3 11/32	2 13/16	11/16	9/16	1 3/16	13/32	FH206 -19	PB-6Z	PFL-6Z
FHPBPFLZ206 -20	1 1/4(s)	42.86	158.75	90.49	119.06	38.89	22.23	14.29	2.64	3.40	84.93	71.44	17.46	14.29	4.76	10.32	FH206 -20		
FHPBPFLZ206 -30mm	30mm																FH206 -30mm		
FHPBPFLZ207 -20	1 1/4																FH207 -20		
FHPBPFLZ207 -21	1 5/16																FH207 -21		
FHPBPFLZ207 -22	1 3/8	1 7/8	6 1/2	3 15/16	5	1 13/16	7/8	9/16	.104	.149	3 23/32	3 3/16	7/8	9/16	1 3/8	13/32	FH207 -22	PB-7Z	PFL-7Z
FHPBPFLZ207 -23	1 7/16	47.63	165.10	100.01	127.00	46.04	22.23	14.29	2.64	3.78	94.46	80.96	22.23	14.29	34.93	10.32	FH207 -23		
FHPBPFLZ207 -35mm	35mm																FH207 -35mm		