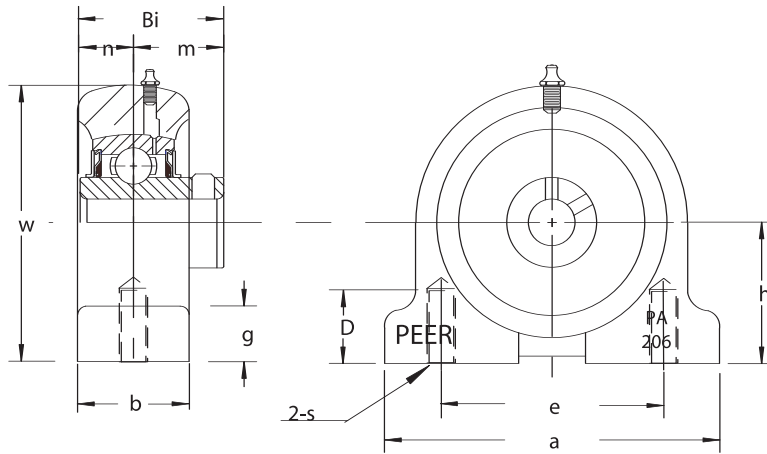
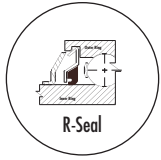




Pillow Blocks – Tapped Base

UCPA200 Series Set Screw Locking



- Standard duty, high-grade cast iron
- Solid foot housing design
- Wide inner ring bearing
- Relubricatable unit with anti-rotation pin
- Standard seal: R-Seal

Triple lip seal and other options: See page 85

Dimensions in mm

Unit No.	Shaft Diam.	h	a	e	b	S UNC	w	g	D	Bi	n	m	Bolt Size In.	Bearing No.	Housing No.
UCPA201 -8	1/2														
UCPA201 -12mm	12mm														
UCPA202 -9	9/16														
UCPA202 -10	5/8	1 3/16	3	2 3/64	1 9/16	3/8-16	2 7/16	7/16	1/2	1.22	0.500	0.720	3/8	UC201 -8	PA-204-HT
UCPA202 -15mm	15mm	30.2	76.2	51.9	39.7		61.9	11.1	12.7	31.00	12.70	18.30		UC201 -12mm	
UCPA203 -11	11/16													UC202 -9	
UCPA203 -17mm	17mm													UC202 -10	
														UC202 -15mm	
UCPA204 -12	3/4	1 3/16	3	2 3/64	1 9/16	3/8-16	2 7/16	7/16	1/2	1.22	0.500	0.720	3/8	UC203 -11	PA-204-HT
UCPA204 -13	13/16	30.2	76.2	51.9	39.7		61.9	11.1	12.7	31.00	12.70	18.30		UC203 -11	
UCPA204 -20mm	20mm													UC203 -17mm	
UCPA205 -13	13/16														
UCPA205 -14	7/8														
UCPA205 -15	15/16	1 7/16	3 5/16	2 13/64	1 25/32	3/8-16	2 27/32	15/32	1/2	1.34	0.563	0.776	3/8	UC204 -12	PA-205-HT
UCPA205 -16	1	36.5	84.1	55.9	45.2		72.2	11.9	12.7	34.00	14.30	19.70		UC204 -13	
UCPA205 -25mm	25mm													UC204 -20mm	
														UC205 -13	
														UC205 -14	
UCPA206 -17	1 1/16														
UCPA206 -18	1 1/8														
UCPA206 -19	1 3/16														
UCPA206 -20	1 1/4(s)	1 11/16	3 11/16	2 19/32	1 31/32	7/16-14	3 5/16	15/32	5/8	1.50	0.626	0.874	7/16	UC205 -15	PA-206-HT
UCPA206 -30mm	30mm	42.8	93.7	65.9	50.0		84.1	11.9	15.9	38.10	15.90	22.20		UC205 -16	
														UC205 -25mm	
														UC206 -17	
														UC206 -18	
UCPA207 -20	1 1/4														
UCPA207 -21	1 5/16														
UCPA207 -22	1 3/8														
UCPA207 -23	1 7/16														
UCPA207 -35mm	35mm	1 7/8	4 11/32	3 5/32	2 5/32	1/2-13	3 3/4	1/2	3/4	1.69	0.689	1.000	1/2	UC206 -19	PA-207-HT
		47.6	110.3	80.2	54.8		95.3	12.7	19.1	42.90	17.50	25.40		UC206 -20	
														UC206 -30mm	
														UC207 -20	
														UC207 -21	
UCPA208 -24	1 1/2														
UCPA208 -25	1 9/16														
UCPA208 -40mm	40mm	1 15/16	4 9/16	3 5/16	2 9/32	1/2-13	3 15/16	1/2	3/4	1.94	0.748	1.189	1/2	UC207 -22	PA-208-HT
		49.2	115.9	84.1	57.9		100.0	12.7	19.1	49.20	19.00	30.20		UC207 -23	
														UC207 -35mm	
														UC208 -24	
														UC208 -25	
UCPA209 -26	1 5/8														
UCPA209 -27	1 11/16														
UCPA209 -28	1 3/4														
UCPA209 -45mm	45mm	2 9/64	4 23/32	3 35/64	2 3/8	1/2-13	4 1/4	1/2	3/4	1.94	0.748	1.189	1/2	UC208 -40mm	PA-209-HT
		54.4	119.8	90.1	60.3		107.9	12.7	19.1	49.20	19.00	30.20		UC209 -26	
														UC209 -27	
														UC209 -28	
														UC209 -45mm	
UCPA210 -29	1 13/16														
UCPA210 -30	1 7/8														
UCPA210 -31	1 15/16														
UCPA210 -32	2(s)														
UCPA210 -50mm	50mm	2 1/4	5 1/8	3 45/64	2 17/32	5/8-11	4 9/16	9/16	7/8	2.03	0.748	1.283	5/8	UC210 -29	PA-210-HT
		57.2	130.2	94.1	64.3		115.9	14.3	22.2	51.60	19.00	32.60		UC210 -30	
														UC210 -31	
														UC210 -32	
														UC210 -50mm	

1. Coarse threads are standard. Special threading is available upon request.
2. PA series can also be combined with the following inserts: HC, FH, FHS and GR series bearings