



# TWO-PIECE SPLITNUT SNF SERIES - FINE

Mechanical Self-Locking

### Benefits & Characteristics:

- Self-locking
- Assembles onto shaft without removing other existing power transmission components
- Greater axial strength than SNC series with coarse thread
- Finer assembly adjustment than SNC series with coarse threads
- Infinite adjustment and preloading capacity
- Splitnut design provides increased assembly holding power
- Tangential (X-Axis) access to locking and adjusting of assembly
- Easier and faster to install than traditional locknut and lockwasher
- Eliminates the need for cutting or repairing shaft keyway
- Does not damage shaft threads when secured
- Black oxide coating with wax finish to prevent corrosion
- Manufactured in USA and RoHS Compliant

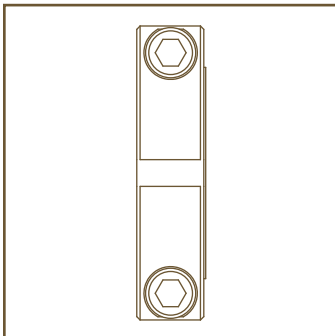
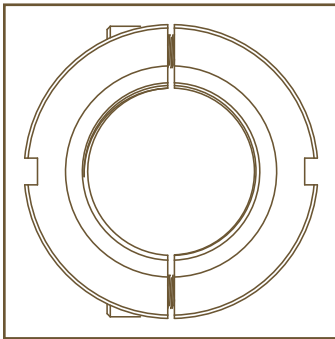
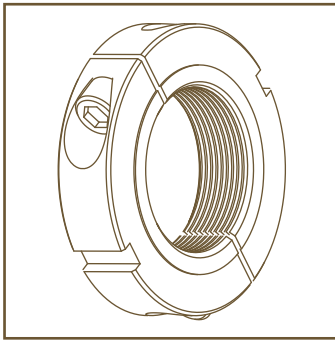
### Applications:

- Lower-speed, non-balanced assemblies
- Linear ball screws and linear actuators
- Off-road equipment and machinery
- Mining and mineral extraction equipment
- Pump, paper and steel mill rolls

Max Operating Temperature: 300 Deg F

### Materials:

Base Threaded Nut - Carbon Steel  
Fastener - Hardened Alloy



Part Number	Thread	Max. Outside Diameter (Inches)	Max. Face Diameter (Inches)	Max. Width (Inches)	Theoretical Axial Max. (Lbs)	Socket Head Cap Screw	Suggested Torque (Inch-Lbs)
SNF3-32	10-32	0.625	0.406	0.281	1650	4-40	14
SNF4-28	0.250-28	0.625	0.406	0.281	1950	4-40	14
SNF5-24	0.312-24	0.688	0.469	0.281	2400	4-40	14
SNF6-24	0.375-24	0.875	0.594	0.344	3600	6-32	25
SNF7-20	0.437-20	0.938	0.656	0.344	4000	6-32	25
SNF8-20	0.500-20	1.125	0.781	0.437	5600	10-32	60
SNF10-18	0.625-18	1.313	0.922	0.437	6800	10-32	60
SNF12-16	0.750-16	1.500	1.063	0.500	9800	1/4-28	150
SNF14-14	0.875-14	1.625	1.188	0.500	10900	1/4-28	150
SNF16-12	1.000-12	1.750	1.313	0.500	11700	1/4-28	150
SNF16-14	1.000-14	1.750	1.313	0.500	12000	1/4-28	150
SNF18-12	1.125-12	1.875	1.438	0.500	12600	1/4-28	150
SNF20-12	1.250-12	2.063	1.625	0.500	13800	1/4-28	150
SNF22-12	1.375-12	2.250	1.719	0.563	17000	1/4-28	150
SNF24-12	1.500-12	2.375	1.844	0.563	17700	1/4-28	150
SNF32-12	2.000-12	3.000	2.469	0.625	24300	5/16-24	260

Thread to Face Runout Specifications Available on Page X16

whittet-higgins company

For installation instructions, warranty information, thread specifications and disclaimer information please visit us at [www.whittet-higgins.com](http://www.whittet-higgins.com)

Downloadable 3D & 2D CAD models available  
at [www.whittet-higgins.com](http://www.whittet-higgins.com)

A20

Engineering & Sales Support: (401) 728-0700



# TWO-PIECE SPLITNUT SNF SERIES - STAINLESS

Mechanical Self-Locking

### Benefits & Characteristics:

- Self-locking
- Corrosion resistant stainless steel
- Assembles onto shaft without removing other existing power transmission components
- Greater axial strength than SNC series with coarse thread
- Finer assembly adjustment than SNC series with coarse threads
- Infinite adjustment and preloading capacity
- Splitnut design provides increased assembly holding power
- Tangential (X-Axis) access to locking and adjusting of assembly
- Easier and faster to install than traditional locknut and lockwasher
- Eliminates the need for cutting or repairing shaft keyway
- Does not damage shaft threads when secured
- Manufactured in USA and RoHS Compliant

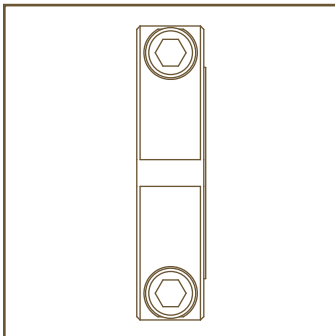
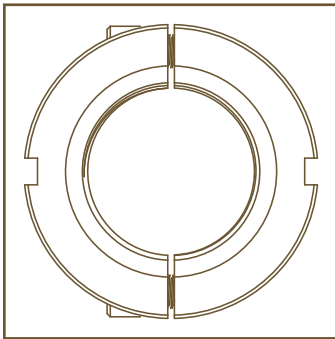
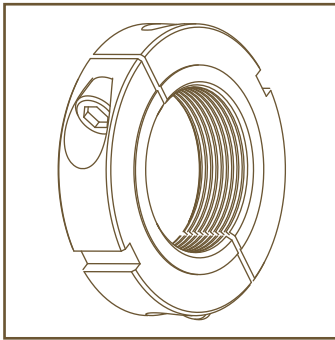
### Applications:

- Corrosive environments
- Lower-speed, non-balanced assemblies
- Linear ball screws and linear actuators
- Off-road equipment and machinery
- Pump, paper and steel mill rolls

Max Operating Temperature: 300 Deg F

### Materials:

Base Threaded Nut - Stainless Steel  
Fastener - Stainless Steel



Part Number	Thread	Max. Outside Diameter (Inches)	Max. Face Diameter (Inches)	Max. Width (Inches)	Theoretical Axial Max. (Lbs)	Socket Head Cap Screw	Suggested Torque (Inch-Lbs)
SNF3-32S	10-32	0.625	0.406	0.281	1250	4-40	14
SNF4-28S	0.250-28	0.625	0.406	0.281	1550	4-40	14
SNF5-24S	0.312-24	0.688	0.469	0.281	1850	4-40	14
SNF6-24S	0.375-24	0.875	0.594	0.344	2900	6-32	25
SNF7-20S	0.437-20	0.938	0.656	0.344	3200	6-32	25
SNF8-20S	0.500-20	1.125	0.781	0.437	4500	10-32	60
SNF10-18S	0.625-18	1.313	0.922	0.437	5400	10-32	60
SNF12-16S	0.750-16	1.500	1.063	0.500	7800	1/4-28	150
SNF14-14S	0.875-14	1.625	1.188	0.500	8700	1/4-28	150
SNF16-12S	1.000-12	1.750	1.313	0.500	9400	1/4-28	150
SNF16-14S	1.000-14	1.750	1.313	0.500	9600	1/4-28	150
SNF18-12S	1.125-12	1.875	1.438	0.500	10000	1/4-28	150
SNF20-12S	1.250-12	2.063	1.625	0.500	11000	1/4-28	150
SNF22-12S	1.375-12	2.250	1.719	0.563	13500	1/4-28	150
SNF24-12S	1.500-12	2.375	1.844	0.563	14100	1/4-28	150
SNF32-12S	2.000-12	3.000	2.469	0.625	19400	5/16-24	260

Thread to Face Runout Specifications Available on Page X16

whittet-higgins company

For installation instructions, warranty information, thread specifications and disclaimer information please visit us at [www.whittet-higgins.com](http://www.whittet-higgins.com)

Downloadable 3D & 2D CAD models available  
at [www.whittet-higgins.com](http://www.whittet-higgins.com)

A21

Engineering & Sales Support: (401) 728-0700