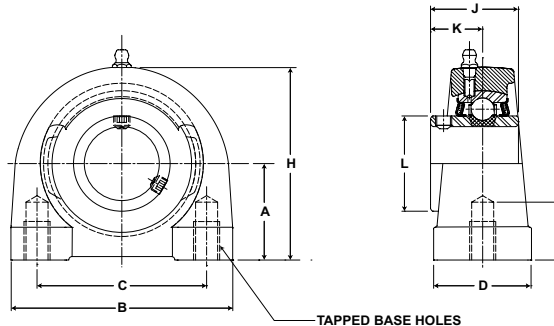


SEALMASTER® Paver Bearings



- Duty:** Varies
- Rolling Elements:** Ball
- Housing:** Tapped Base
- Lock:** Varies
- Seal:** Varies



PVR x 4xx Tapped Base Pillow Block Assembly

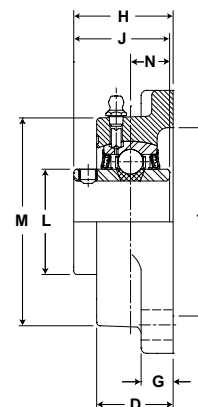
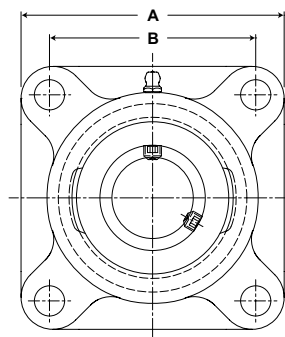
| BORE DIAMETER | PART No. | DIMENSIONS inch / mm | | | | | | | | | BOLT UNC-2B THREAD | UNIT Wt. lb/kg |
|---------------|----------|----------------------|----------------|---------------|---------------|-----------------|-----------------|----------------|-----------------|------------------|--------------------|----------------|
| | | A | B | C | D | H | J | K | L | N MIN. TAP DEPTH | | |
| 1 | PVR-1416 | 1 7/16 36.5 | 3 76.2 | 2 50.8 | 1 1/2 38.1 | 2 13/16 71.4 | 1 3/8 34.9 | 13/16 20.6 | 1 3/8 34.9 | 1/2 12.7 | 3/8-16 | 2.0 .91 |
| 1 7/16 | PVR-1417 | 1 7/8 47.6 | 4 1/4 108.0 | 3 1/4 82.6 | 1 7/8 47.6 | 3 3/4 95.3 | 1 11/16 42.9 | 1 25.4 | 1 55/64 47.2 | 3/4 19.1 | 1/2-13 | 4.5 2.04 |
| 2 | PVR-1450 | 2 1/4 57.2 | 5 127.0 | 4 101.6 | 2 50.8 | 4 5/8 117.5 | 2 1/32 51.6 | 1 9/32 32.5 | 2 15/32 62.7 | 7/8 22.2 | 5/8-11 | 8.0 3.63 |

Popular Paver bearing designs are listed, if you require information on another part number or size please consult Bearing Technical Customer Service. The basic dimensions as listed are for guidance only, the image shown may not exactly represent the unit, many units have special machining or special casting designs.

Metric dimensions for reference only.
 Not all parts are available from stock. Please contact customer service for availability (800) 626-2120.
 For more information on bearing capabilities outside of our standard offering, please contact Application Engineering (800) 626-2033.



- Duty:** Varies
- Rolling Elements:** Ball
- Housing:** Four Bolt Flange
- Lock:** Varies
- Seal:** Varies



PVR x 5xx Four Bolt Flange Assembly

| BORE DIAMETER | PART No. | DIMENSIONS inch / mm | | | | | | | | | | BOLT SIZE | UNIT Wt. lb/kg |
|---------------|----------|----------------------|------------------|-----------------|---------------|-----------------|-----------------|----------------|-----------------|------------------|----------------|-----------|----------------|
| | | A | B | D | G | H | J | N | L | M | T CORE | | |
| inch | | | | | | | | | | | | | |
| 1 1/2 | PVR-1504 | 5 1/8 130.2 | 4 101.6 | 1 1/2 38.1 | 9/16 14.3 | 2 1/64 51.2 | 1 15/16 49.2 | 3/4 19.1 | 2 1/16 52.4 | 4 5/64 103.6 | 3 1/2 88.9 | 1/2 | 5.5 2.49 |
| 1 9/16 | PVR-1518 | 5 1/8 130.2 | 4 101.6 | 1 1/2 38.1 | 9/16 14.3 | 2 1/64 51.2 | 1 15/16 49.2 | 3/4 19.1 | 2 1/16 52.4 | 4 5/64 103.6 | 3 1/2 88.9 | 1/2 | 5.5 2.49 |
| 1 3/4 | PVR-3546 | 5 3/8 136.5 | 4 1/8 104.8 | 1 9/16 39.7 | 9/16 14.3 | 2 3/64 52.0 | 1 15/16 49.2 | 3/4 19.1 | 2 19/64 58.3 | 4 11/32 110.3 | 3 7/8 98.4 | 9/16 | 5.7 2.59 |
| 1 3/4 | PVR-1501 | 5 3/8 136.5 | 4 1/8 104.8 | 1 9/16 39.7 | 9/16 14.3 | 2 3/64 52.0 | 1 15/16 49.2 | 3/4 19.1 | 2 19/64 58.3 | 4 21/64 109.9 | 3 7/8 98.4 | 9/16 | 5.7 2.59 |
| 1 7/8 | PVR-1509 | 5 5/8 142.9 | 4 3/8 111.1 | 1 9/16 39.7 | 9/16 14.3 | 2 5/32 54.8 | 2 1/32 51.6 | 3/4 19.1 | 2 15/32 62.7 | 4 33/64 114.7 | 4 101.6 | 9/16 | 6.4 2.90 |
| 2 | PVR-1507 | 6 3/8 161.9 | 5 1/8 130.2 | 1 3/4 44.5 | 13/16 20.6 | 2 5/16 58.7 | 2 3/16 55.6 | 7/8 22.2 | 2 23/32 69.1 | 5 3/16 131.8 | 4 1/4 108.0 | 5/8 | 10.5 4.76 |
| 2 3/16 | PVR-2533 | 5 3/4 146.1 | 4 7/16 112.7 | 1 3/4 44.5 | 13/16 20.6 | 2 3/8 60.3 | 2 3/16 55.6 | 7/8 22.2 | 3 5/8 92.1 | 5 3/16 131.8 | 4 1/4 108.0 | 9/16 | 11.1 5.03 |
| 2 3/16 | PVR-2538 | 5 3/4 146.1 | 4 39/89 112.7 | 1 49/64 44.8 | 25/32 19.8 | 2 31/32 75.4 | 2 13/16 71.4 | 1 3/32 27.8 | 3 76.2 | 5 1/4 133.4 | 4 1/4 108.0 | 9/16 | 11.1 5.03 |
| 2 1/2 | PVR-1551 | 7 3/8 187.3 | 5 7/8 149.2 | 2 5/16 58.7 | 11/16 17.5 | 3 76.1 | 2 3/4 69.9 | 1 1/16 27.0 | 3 7/16 87.3 | 6 1/8 155.6 | 5 1/8 130.2 | 5/8 | 16.4 7.44 |
| 2 11/16 | PVR-1522 | 7 3/4 196.9 | 6 152.4 | 2 3/8 60.3 | 1 25.4 | 3 3/16 81.0 | 3 1/16 77.8 | 1 5/16 33.3 | 3 41/64 92.5 | 6 1/2 165.1 | 5 7/8 149.2 | 3/4 | 20.6 9.34 |

Popular Paver bearing designs are listed, if you require information on another part number or size please consult Bearing Technical Customer Service. The basic dimensions as listed are for guidance only, the image shown may not exactly represent the unit, many units have special machining or special casting designs.