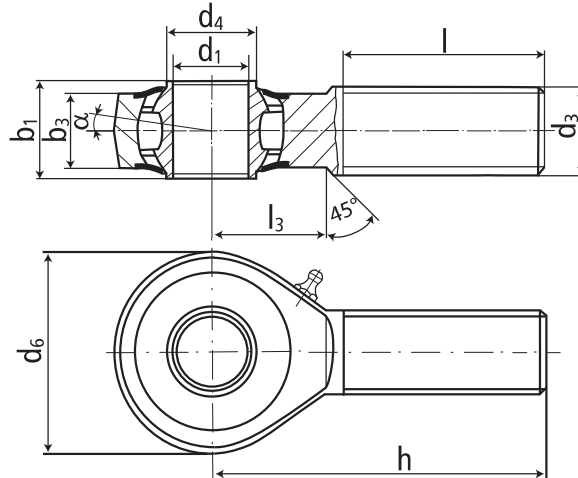


male thread;
long-term
lubrication,
low maintenance,
shields,
adapter sizes
according to
DIN ISO 12240-4,
series K



DURBAL® heavy-duty rod ends with integral self-aligning roller bearing



rod end housing:
forged steel, case-hardened bearing race,
superfinished, rolled thread, surface gal-
vanized, free of Cr VI

inner ring:
ball bearing steel, hardened,
superfinished

lubrication:
aluminium-complex-soap-grease,
temperature range -45 °C to +120 °C,
approval according to USDA H1

lubrication fitting:
DIN 71 412 H1

bearing clearance:
10 - 30 µm radial

tolerances:
see page 10

type	order number		measurements [mm]					
	right hand thread	left hand thread	d ₁	d ₃	d ₄	d ₆	b ₁	b ₃
BRTM 12 -01	-501	-502	12	M 12	14,5	32	16	12
BRTM 16 -03	-501	-502	16	M 16	19,0	42	21	15
BRTM 20 -00	-501	-502	20	M 20 x 1,5	24,5	50	25	18
BRTM 25 -00	-501	-502	25	M 24 x 2	29,5	64	31	22
BRTM 30 -00	-501	-502	30	M 30 x 2	34,5	70	37	25

type	measurements [mm]				weight [kg]	rotational speed limit n _{max} [min ⁻¹]	basic load rating	
	h	l	l ₃	α [°]			dyn. C [N]	stat. C ₀ [N]
BRTM 12	54	33	19	7,5	0,088	1125	10250	6600
BRTM 16	66	40	22	7,0	0,185	975	13300	8900
BRTM 20	78	47	28	7,0	0,340	825	17000	11700
BRTM 25	94	57	30	5,0	0,596	600	24900	18500
BRTM 30	110	66	35	7,5	0,912	450	32500	24850