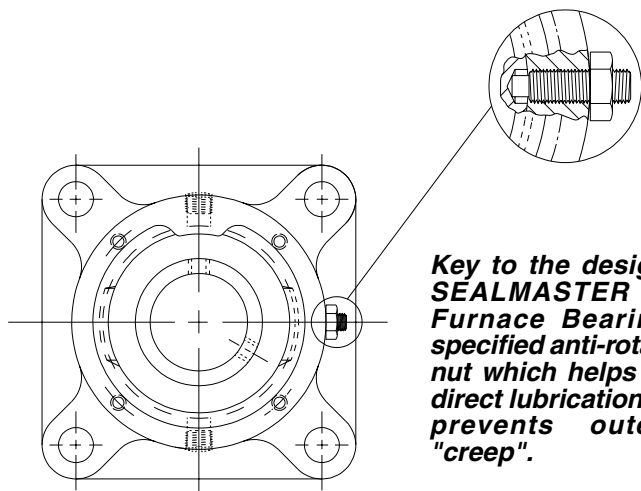
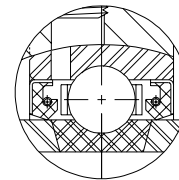


DIFFERENT...BY DESIGN!



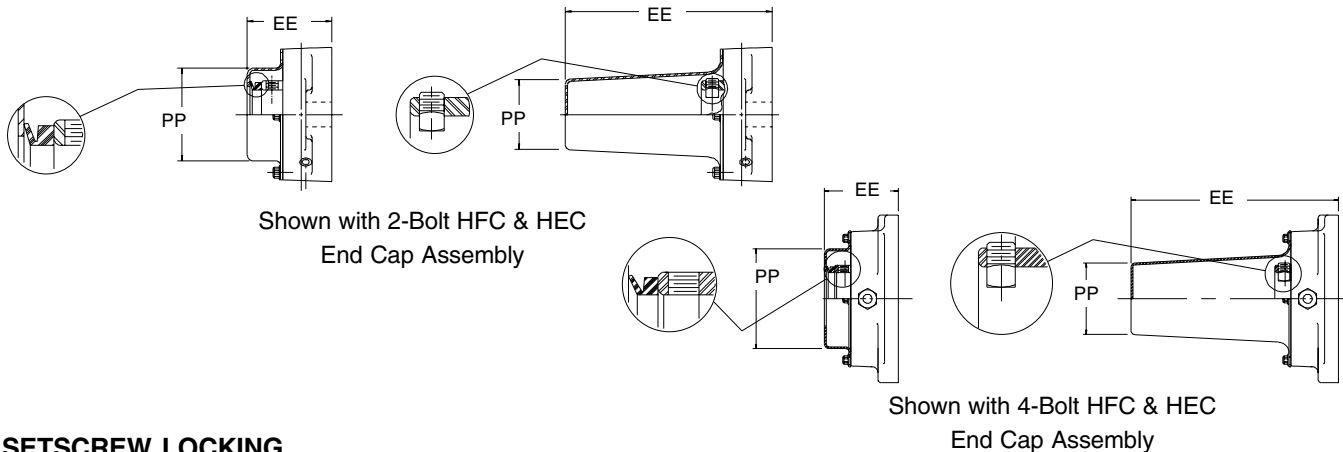
Key to the design of the SEALMASTER HF/HFT Furnace Bearings is a specified anti-rotation lock nut which helps ensure a direct lubrication path and prevents outer race "creep".



High Temperature, non-purgable, UltraGard Seals withstand the severe operating environment and help retain lubricant within the bearing chamber.

RECOMMENDED LOADS AND SPEEDS

UNIT # 2 BOLT HOUSING	UNIT # 4 BOLT HOUSING	MAX. RECOMMENDED SPEED		MAX. RECOMMENDED LOAD	
		RPM	LBS.		
HFT-16	-	800	150		
HFT-19	-	700	250		
HFT-20R	-	700	250		
HFT-23	HF-23	600	350		
HFT-24	HF-24	500	450		
-	HF-28	500	550		



SETSCREW LOCKING

BORE	TWO BOLT FLANGE	FOUR BOLT FLANGE	2-BOLT END CAPS						4-BOLT END CAPS					
			CAP		HFC		HEC		CAP		HFC		HEC	
			HFC-	EE	PP	HEC-	EE	PP	HFC-	EE	PP	HEC-	EE	EE
1"	HFT-16	-	16	1 23/32	1 29/32	16	4 7/32	1 7/16	-	-	-	-	-	-
1 3/16	HFT-19	-	19	1 27/32	2 3/8	19	4 63/64	1 45/64	-	-	-	-	-	-
1 1/4	HFT-20R	-	20R											
1 7/16	HFT-23	HF-23	23	2 3/64	2 3/4	23	5 23/32	1 31/32	23	2 1/64	2 3/4	23	5 23/32	1 31/32
1 1/2	HFT-24	HF-24	24	2 11/32	2 3/4	24	5 15/32	1 13/16	24	2 5/16	2 3/4	24	5 15/32	1 13/16
1 3/4	-	HF-28	-	-	-	-	-	-	28	2 3/8	2 7/8	28	5 17/32	2 1/16

For specifications on HF/HFT Bearings, see Featured Product Dimension Tables on page 93.
For more information on High Temperature applications, see page 130.

DIFFERENT..BY DESIGN!

**NOW AVAILABLE
TAKE-UP UNITS
FOR BEVERAGE & CR DUTY**

Specifying Product

Each featured product has unique nomenclature to specify housing and size.

Nomenclature is formatted as follows:

Type Of Bearing	Housing	Bore Size
BEVERAGE BEARINGS	BP	12 = 3/4"
	BPL	16 = 1"
	BTB	19 = 1 3/16"
	BF	20R = 1 1/4R"
	BFT	20 = 1 1/4"
	BFB	23 = 1 7/16"
CR DUTY* BEARINGS	NP	24 = 1 1/2"
	NPL	27 = 1 11/16"
	TB	28 = 1 3/4"
	SF	31 = 1 15/16"
	SFT	35 = 2 3/16"
	FB	39 = 2 7/16"
FURNACE BEARINGS	HF	
	HFT	

All Beverage Bearings...

Begin With The Letter "B"...

BP-23 BPL-28
BTB-20R BF-12
BFT-23 BFB-27

CR Duty Bearings...

*Must add "C CR" to all
CR Duty Bearings...*

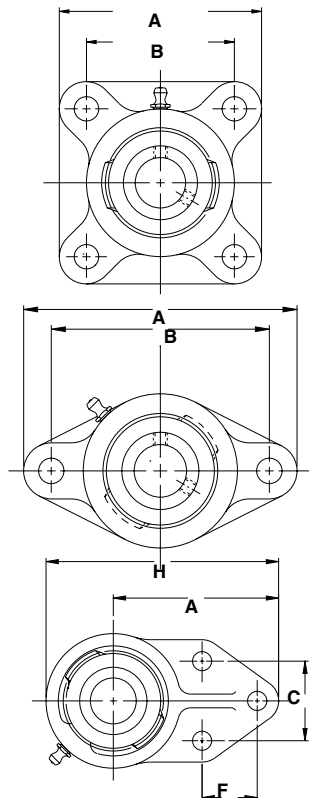
NP-16C CR
SF-28C CR
FB-39C CR

All Furnace Bearings

Begin With The Letter "H"...

HF-23 HFT-24

For more Dimensions... Use Standard Duty Gold Line Dimension Tables



Four Bolt Flanges... BF, SF-C CR, HF

BORE	AVAILABILITY	A	B	BOLT SIZE
3/4	BEV**, CR	3 3/8	2 1/2	3/8
1	BEV, CR	3 3/4	2 3/4	3/8
1 3/16 - 1 1/4R	BEV, CR	4 1/4	3 1/4	3/8
1 1/4 - 1 7/16	BEV, CR, HF-23	4 5/8	3 5/8	1/2
1 1/2	BEV, CR, HF-24	5 1/8	4	1/2
1 11/16 - 1 3/4	BEV, CR, HF-28	5 3/8	4 1/8	1/2
1 15/16	BEV, CR	5 5/8	4 3/8	9/16
2 3/16	BEV, CR	6 3/8	5 1/8	5/8
2 7/16	BEV**, CR	6 7/8	5 5/8	5/8

Two Bolt Flanges... BFT, SFT-C CR, HFT

BORE	AVAILABILITY	A	B	BOLT SIZE
3/4	BEV**, CR	4 13/32	3 17/32	3/8
1	BEV, CR, HFT-16	4 7/8	3 57/64	3/8
1 3/16 - 1 1/4R	BEV, CR, HFT-19, HFT-20R	5 9/16	4 19/32	3/8
1 1/4 - 1 7/16	BEV, CR, HFT-23	6 1/8	5 1/8	1/2
1 1/2	BEV, CR, HFT-24	6 3/4	5 21/32	1/2
1 11/16	BEV, CR	7 1/16	5 27/32	1/2
1 15/16	BEV, CR	7 7/16	6 3/16	9/16
2 3/16	BEV, CR	8 1/2	7 1/4	5/8

Three Bolt Flange Brackets... BFB, FB-C CR

BORE	AVAILABILITY	A	C	F	H	BOLT SIZE
3/4	BEV**, CR	3	1 1/2	7/8	4 1/4	3/8
1	BEV**, CR	3 3/8	1 5/8	1 1/8	4 3/4	3/8
1 3/16 - 1 1/4R	BEV**, CR	3 3/4	1 7/8	1 1/4	5 3/8	3/8
1 1/4 - 1 7/16	BEV**, CR	4 1/4	2	1 1/4	6 1/8	1/2
1 15/16	BEV**, CR	5 3/16	2 3/4	1 5/8	7 1/2	1/2

** No End Caps Available