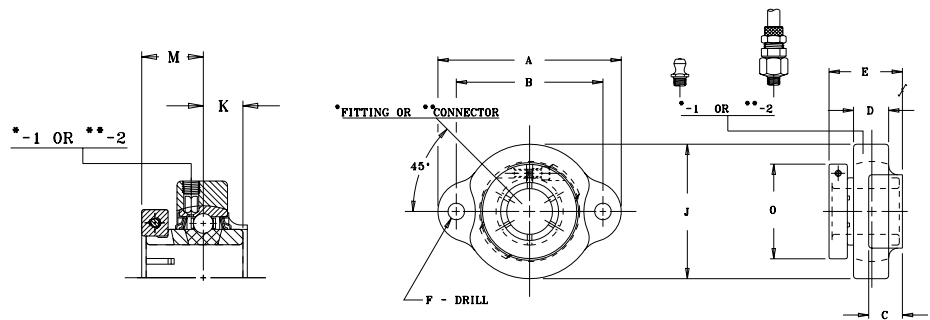


* Bearing reversed in housing for collar clearance.

TB-T Series Tapped Base Pillow Blocks...Skwezloc Locking

| SHAFT DIAM. IN | PART NO. | BRG. NO. | Dimensions in Inches | | | | | | | | N MIN. TAP DEPTH | M BOLT UNC- THREAD | UNIT WT. |
|---------------------------|-----------------------------|----------------------------|----------------------|-------|-------|-------|---------|--------|---------|--------------------|------------------------|-----------------------------|-------------|
| | | | A | B | C | D | H | J | K | L | | | |
| 3/4 | *TB-12T | 2-012T | 1 5/16 | 3 1/8 | 2 | 1 1/2 | 2 9/16 | 1 9/32 | 25/32 | 1 3/4 | 1/2 | 3/8-16 | 1.8 |
| 15/16 1 | TB-15T TB-16T | 2-015T 2-1T | 1 7/16 | 3 | 2 | 1 1/2 | 2 13/16 | 1 7/16 | 7/8 | 1 15/16 | 1/2 | 3/8-16 | 2.0 |
| 1 1/8 1 3/16 1 1/4 | TB-18T TB-19T TB-20RT | 2-12T 2-13T 1-14T | 1 11/16 | 4 | 3 | 1 1/2 | 3 13/32 | 1 9/16 | 15/16 | 2 3/16 | 5/8 | 7/16-14 | 3.7 |
| 1 1/4 1 3/8 1 7/16 | TB-20T TB-22T TB-23T | 2-14T 2-16T 2-17T | 1 7/8 | 4 1/4 | 3 1/4 | 1 7/8 | 3 3/4 | 1 3/4 | 1 1/16 | 2 7/16 2 9/16 | 3/4 | 1/2-13 | 4.8 |
| 1 1/2 1 9/16 | TB-24T TB-25T | 2-18T 2-19T | 1 15/16 | 4 5/8 | 3 1/2 | 1 7/8 | 3 15/16 | 2 | 1 1/4 | 2 11/16 | 3/4 | 1/2-13 | 6.3 |
| 1 5/8 1 11/16 1 3/4 | TB-26T TB-27T TB-28T | 2-110T 2-111T 2-112T | 2 1/8 | 5 | 3 3/4 | 2 | 4 1/4 | 2 | 1 1/4 | 2 13/16 2 15/16 | 3/4 | 1/2-13 | 6.8 |
| 1 15/16 2 | TB-31T TB-32RT | 2-115T 1-2T | 2 1/4 | 5 1/2 | 4 | 2 | 4 5/8 | 2 3/32 | 1 11/32 | 3 3/8 | 7/8 | 5/8-11 | 8.6 |



TFT-T Series Standard Duty Two-Bolt Flange Units...Skwezloc Locking

| SHAFT DIAM. IN | PART NO. | BRG. NO. | Dimensions in Inches | | | | | | | | | | UNIT WT. |
|--------------------------|----------------------------------|----------------------------|----------------------|---------|-------|-------|---------|-------|---------|-------|--------|------------------|-------------|
| | | | A | B | C | D | E | F | J | K | M | O | |
| 15/16 1 | TFT-15TC TFT-16TC | 2-015TC 2-1TC | 3 3/4 | 3 | 11/16 | 23/32 | 1 1/2 | 25/64 | 2 3/4 | 9/16 | 7/8 | 1 15/16 | 1.6 |
| 1 1/8 1 3/16 | TFT-18TC TFT-19TC | 2-12TC 2-13TC | 4 7/16 | 3 9/16 | 13/16 | 7/8 | 1 5/8 | 25/64 | 3 1/4 | 5/8 | 15/16 | 2 3/16 | 2.3 |
| 1 1/4 1 3/8 1 7/16 | TFT-20TC TFT-22TC TFT-23TC | 2-14TC 2-16TC 2-17TC | 4 7/8 | 3 15/16 | 7/8 | 15/16 | 1 13/16 | 25/64 | 3 11/16 | 11/16 | 1 1/16 | 2 7/16 2 9/16 | 3.0 |

* To specify, add -1 suffix, as TFT-15TC-1, etc.
**To specify, add -2 suffix, as TFT-15TC-2, etc.

For load ratings, see page 77.
For standard duty SKWEZLOC Inserts, see page 76. See page 70 for seal arrangements.