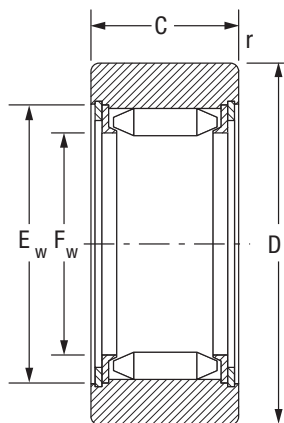
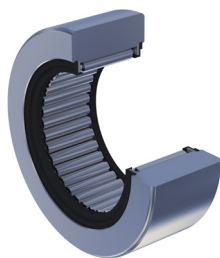


# FULL COMPLEMENT NEEDLE ROLLERS

## RNA 11000

Ring with full complement needle rollers,  
mechanically fastened and separate inner ring.  
Outer diameter from 19 to 90 mm



∅ outer D mm	Designation	F <sub>w</sub> <sup>2)</sup> mm	D <sup>1)</sup> mm	C		E <sub>w</sub> mm	r min. mm	Weight g	Load coefficients (N <sup>2)</sup>
	RNA ..B6			nom. mm	tol. mm				C <sub>w</sub>
19	11005 B6	7.3	19	12	0 -0.10	7.3	0.35	19	5100
22	11007 B6	9.7	22	12	0 -0.10	14.7	0,35	25	6000
24	14601 B6	12.1	24	12	0 -0.10	17.1	0.35	27	6200
28	11009 B6	12.1	28	12	-0.20 -0.30	17.1	0.35	42	7400
32	11012 B6	17.6	32	15	-0.20 -0.30	22.6	0.35	57	10800
35	11015 B6	20.8	35	15	-0.20 -0.30	25.8	0.65	62	10800
42	11017 B6	23.9	42	15	-0.20 -0.30	28.9	0.65	98	13400
47	11020 B6	28.7	47	18	-0.20 -0.30	34.7	0.65	133	16800
52	11025 B6	33.5	52	18	-0.20 -0.30	39.5	0.65	152	17200
62	11030 B6	38.2	62	22	-0.20 -0.30	44.2	0.65	275	28500
72	11035 B6	44	72	22	-0.22 -0.34	50	0.65	370	32000
80	11040 B6	49.7	80	22	-0.22 -0.34	55.7	0.85	450	34000
85	11045 B6	55.4	85	22	-0.22 -0.34	62.4	0.85	480	33500
90	11050 B6	62.1	90	24	-0.22 -0.34	68.1	0.85	540	32500

1) Tolerances on the D dimension: h7

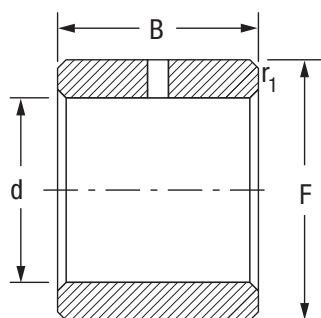
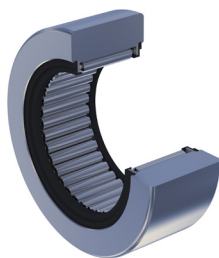
2) Recommended tolerance per F<sub>w</sub> diameter of the pivot without the use of inner ring: h5

3) Misalignment permitted for convexing the B6 ring: 1.5/1000

# FULL COMPLEMENT NEEDLE ROLLERS

## RNA 11000

# 2.9



### Inner rings

Load coefficients (N) <sup>2)</sup>		Speed limit with greasing (min <sup>-1</sup> )	Inner rings										
Din F <sub>r</sub>	Stat. F <sub>or</sub>		Shaft ∅ mm	Designation BIC series	d mm	F mm	B		r <sub>1</sub> min mm	Weight g	For cam follower type	∅ outer D mm	
						nom. mm	tol. mm						
4050	4050	8700	-	-	-	-	-	-	-	-	-	-	19
5100	5200	7000	-	-	-	-	-	-	-	-	-	-	22
4700	5600	5800	-	-	-	-	-	-	-	-	-	-	24
7100	7100	5800	-	-	-	-	-	-	-	-	-	-	28
9100	12700	4200	12	BIC 1012	12	17.6	15	0 -0.10	0.35	16	11012	32	
9100	13400	3650	15	BIC 1015	15	20.8	15	0 -0.10	0.65	18	11015	35	
13900	18500	3200	17	BIC 1017	17	23.9	15	0 -0.10	0.65	26	11017	42	
15400	23000	2700	20	BIC 1020	20	28.7	18	0 -0.10	0.65	46	11020	47	
16500	24700	2330	25	BIC 1025	25	33.5	18	0 -0.10	0.65	54	11025	52	
31500	49500	2050	30	BIC 2030	30	38.2	22	0 -0.10	0.65	74	11030	62	
41000	61000	1800	35	BIC 2035	35	44	22	0 -0.12	0.65	93	11035	72	
47000	68000	1620	40	BIC 2040	40	49.7	22	0 -0.12	0.85	115	11040	80	
47500	69000	1450	45	BIC 2045	45	55.4	22	0 -0.12	0.85	139	11045	85	
51000	68000	1300	50	BIC 11050	50	62.1	24	0 -0.12	0.85	196	11050	90	