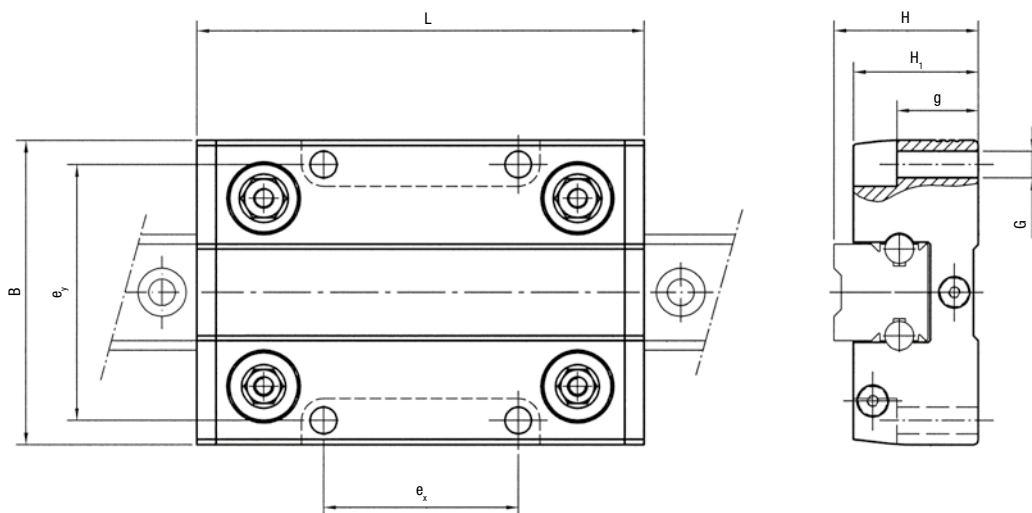


FLEXI-LINE 645 – FWN SYSTEM

CARRIAGE TA4 AND TB4

Carriages with anodised aluminium body
with four guide rollers type GLA for FWN rails.
Dimensions according to DIN 645.

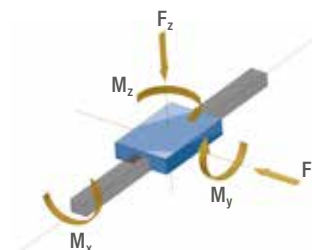


Type	Dimensions (mm)								Weight (kg)	Suggested combinations
	B	G	H	H ₁	L	e _x	e _y	g		
TA4 GLA 17.06	63	M6	30	26	92	40	53	12	0.3	FWN 20
TA4 GLA 19.06	70	M8	36	31	104	45	57	16	0.4	FWN 25
TB4 GLA 17.06	63	5,5	30	26	92	40	53	17	0.25	FWN 20
TB4 GLA 19.06	70	6,6	36	31	104	45	57	23,5	0.35	FWN 25

Longer carriages on request

MAX. LOAD ON A SINGLE CARRIAGE

Carriage	F _y (N)	F _z (N)	M _x (Nm)	M _y (Nm)	M _z (Nm)
TA4 GLA 17.06	600	400	5	15	20
TA4 GLA 19.06	1700	960	19	33	70
TB4 GLA 17.06	600	400	5	15	20
TB4 GLA 19.06	1700	960	19	33	70



OPTIONAL FEATURES

- Available with felts for lubrication, non lubricated (UU).
On request the felts can be supplied lubricated