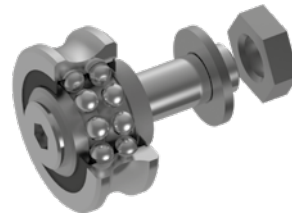


GUIDE ROLLERS RCL, RCP, PFV

PFV: Guide roller with gothic arch profile, based on ball bearing.

RCL / RCP: Guide roller with gothic arch profile, based on angular contact ball bearing.

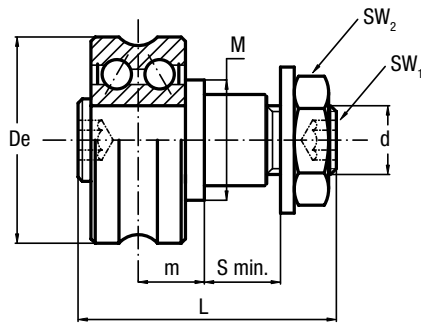


Available in stainless steel version.



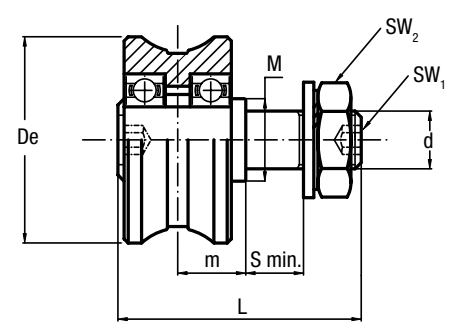
RCL / RCP

CONCENTRIC

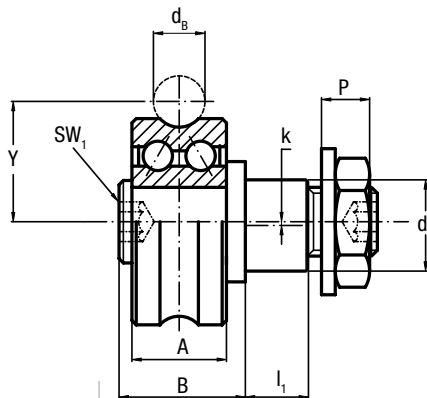


PFV

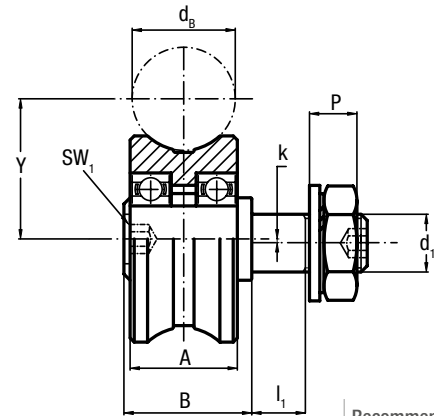
CONCENTRIC



ECCENTRIC



ECCENTRIC



Type

Dimensions (mm)

Recommended pairings

| concentric | eccentric | De | dB | d ₁ ²⁾ conc. | d ₁ ²⁾ ecc. | d | Y | m | S min. | P | L | A | B | I ₁ | M | SW ₁ | SW ₂ | k | |
|-------------------------|--------------------------|----|----|---------------------------------------|--------------------------------------|----------|-------|------|-----------|------|------|------|------|----------------|----|-----------------|-----------------|------|--------|
| RCL 17.06 ¹⁾ | RCLR 17.06 ¹⁾ | 17 | 6 | 5 | 6.5 | M5x0.8 | 10.5 | 6 | 6 | 3.7 | 21 | 7 | 11 | 5.2 | 9 | 2.5 | 8 | 0.25 | LM 30 |
| RCL 24.06 ¹⁾ | RCLR 24.06 ¹⁾ | 24 | 6 | 8 | 11 | M8x1.25 | 14 | 7.7 | 7 | 5.6 | 28.2 | 11 | 14.7 | 6.5 | 14 | 4 | 13 | 0.5 | LM 40 |
| RCL 35.10 ¹⁾ | RCLR 35.10 ¹⁾ | 35 | 10 | 10 | 10 | M10x1.25 | 20.65 | 10.5 | 14 | 7 | 43 | 15.9 | 20.5 | 13 | 18 | 5 | 17 | 0.75 | LM 65 |
| RCP 42.10 | RCPR 42.10 | 42 | 10 | 17 | 17 | M12x1.25 | 24 | 12.5 | 12 | 9.5 | 50 | 19 | 24.5 | 11 | 25 | 6 | 19 | 0.75 | LM 120 |
| PFV 43.22 ¹⁾ | PFVR 43.22 ¹⁾ | 43 | 22 | 12 | 12 | M12x1.5 | 29 | 14 | 13 | 12.5 | 52 | 23 | 27 | 12 | 18 | 5 | 19 | 1 | LM 180 |

1) Available in stainless steel (suffix NX)

2) Housing bore tolerance: H7

| Type | Dynamic load (N) | Limit loads (N) | Life coefficients | Torque wrench settings ⁴⁾ (Nm) | Weight (g) | | | |
|------------|------------------|-----------------------|----------------------|-------------------------------------------|------------|------|----|-----|
| concentric | eccentric | Radial F _r | Axial F _a | X | Y | | | |
| RCL 17.06 | RCLR 17.06 | 1400 | 530 | 150 | 1 | 3.28 | 3 | 20 |
| RCL 24.06 | RCLR 24.06 | 3600 | 1600 | 460 | 1 | 2.52 | 8 | 40 |
| RCL 35.10 | RCLR 35.10 | 7800 | 2400 | 650 | 1 | 2.93 | 20 | 130 |
| RCP 42.10 | RCPR 42.10 | 12000 | 4300 | 1100 | 1 | 2.73 | 24 | 185 |
| PFV 43.22 | PFVR 43.22 | 7600 | 3150 | 750 | 1 | 4 | 26 | 205 |

3) C_w basic load for 100 km

4) The torque wrench settings are given for non-lubricated threads; for lubricated threads, multiply figure by 0.8

- The guide rollers are complete with self-locking washers and hexagonal nut (DIN 439B) for fitting

- Pressure angle α for load calculation: 60°
- Standard shields ZZ type for RCL and RCP; NBR seals type RS for PFV