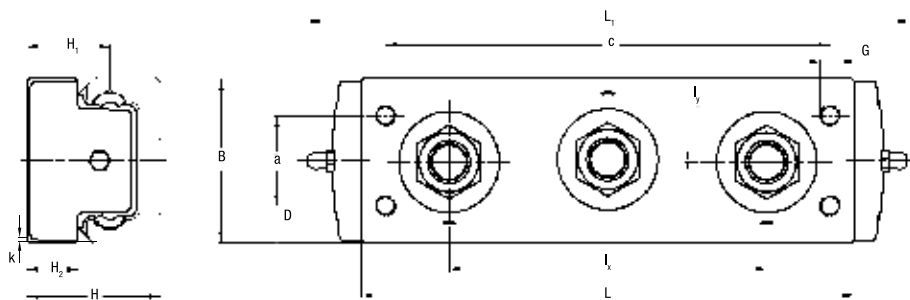


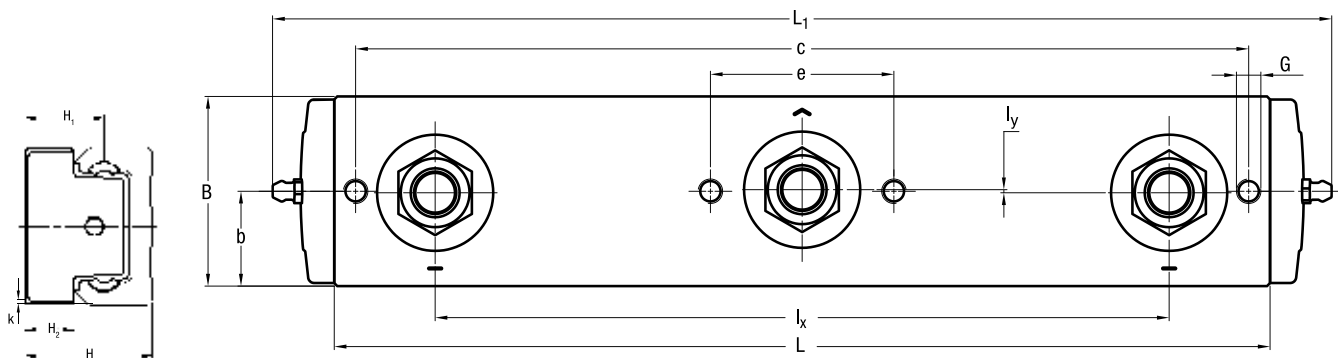
CARRIAGES C3 RCS, C3 RAS, C3 RYS

Carriages with body in anodised aluminium with 3 guide rollers.



SHORT CARRIAGE

Type	Dimensions (mm)													Weight (kg)	Guide
	L	L ₁	B	l _x	l _y	H	H ₁	H ₂	G	a	b	c	k		
C3 RCS 28 126	88	126	26.5	50	0.5	24	15	9	M5 (2x)	—	13.25	78	0.75	0.13	LS 28
C3 RCS 43 170	130	170	40	78	1	37	22.5	13.5	M8 (2x)	—	20	114	1.5	0.44	LS 43
C3 RCS 63 226	186	226	60	120	1	50.5	31.25	18.5	M8 (4x)	34	13	168	1.5	1.2	LS 63



LONG CARRIAGE

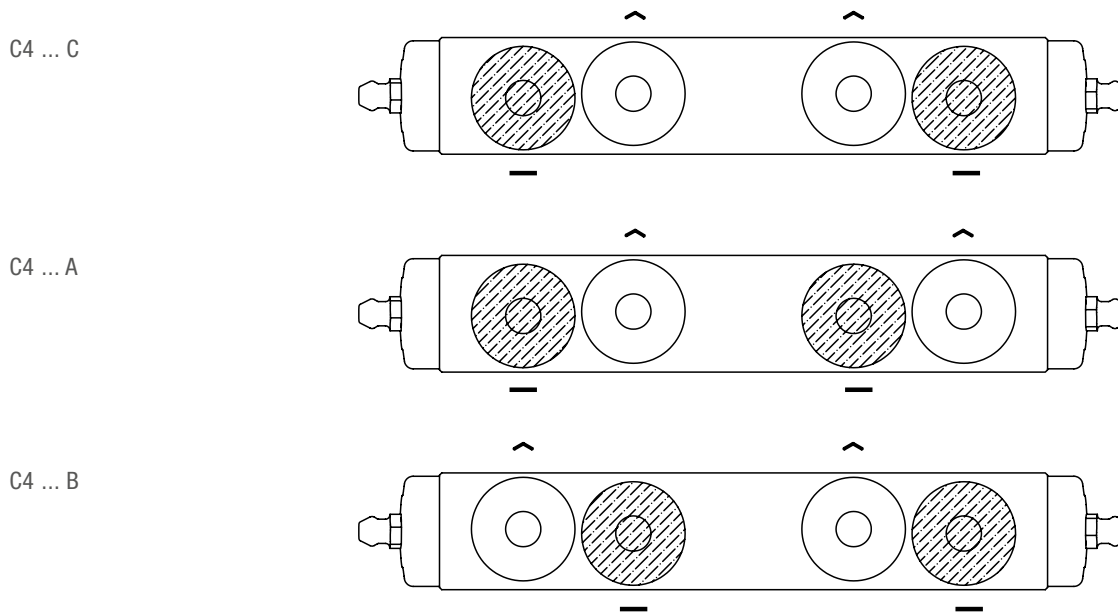
Type	Dimensions (mm)													Weight (kg)	Guide
	L	L ₁	B	l _x	l _y	H	H ₁	H ₂	G	b	c	e	k		
C3 RCS 28 178 A	140	178	26.5	104	0.5	24	15	9	M5	13.25	130	26	0.75	0.15	LS 28
C3 RCS 43 245 A	205	245	41	152	1	37	22.5	13.5	M8	20.5	188	37	1	0.50	LS 43

- Dimensions also apply to C3 RAS and C3 RYS
- The markings show the contact points with the running surface of the rails

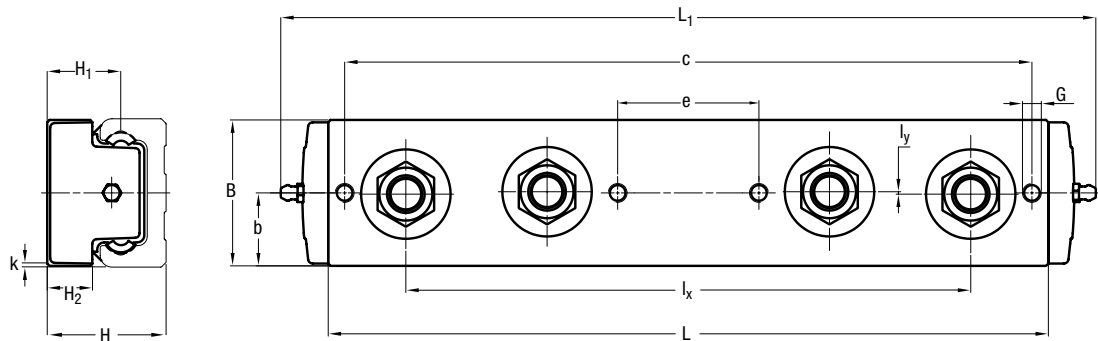
C-LINE

CARRIAGES C4 RCS, C4 RAS, C4 RYS

Carriages with body in anodised aluminium with 4 guide rollers.



Standard roller combinations
The markings show the contact points with the running surface of the rails



Type	Dimensions (mm)													Weight (kg)	Guide
	L	L ₁	B	l _x	l _y	H	H ₁	H ₂	G	b	c	e	k		
C4 RCS 28 178 C	140	178	26.5	104	0.5	24	15	9	M5	13.25	130	26	0.75	0.23	LS28
C4 RCS 28 178 A															
C4 RCS 28 178 B															
C4 RCS 43 245 C	205	245	41	152	1	37	22.5	13.5	M8	20.5	188	37	1	0.58	LS43
C4 RCS 43 245 A															
C4 RCS 43 245 B															

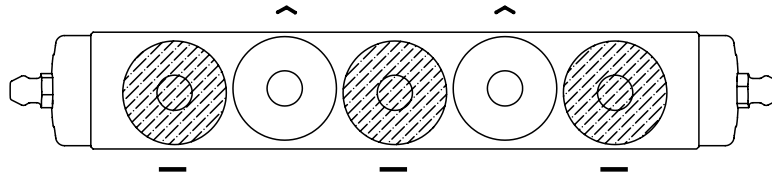
- Dimensions also apply to C4 RAS C / A / B and C4 RYS C / A / B

CARRIAGES C5 RCS, C5 RAS, C5 RYS

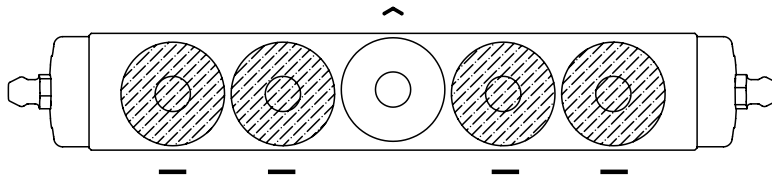
Carriages with body in anodised aluminium with 5 guide rollers.



C5 ... A

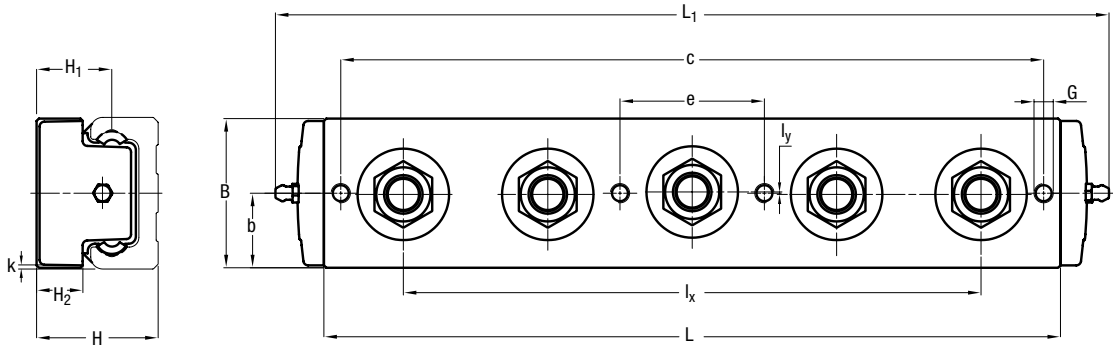


C5 ... B



Standard roller combinations

The markings show the contact points with the running surface of the rails



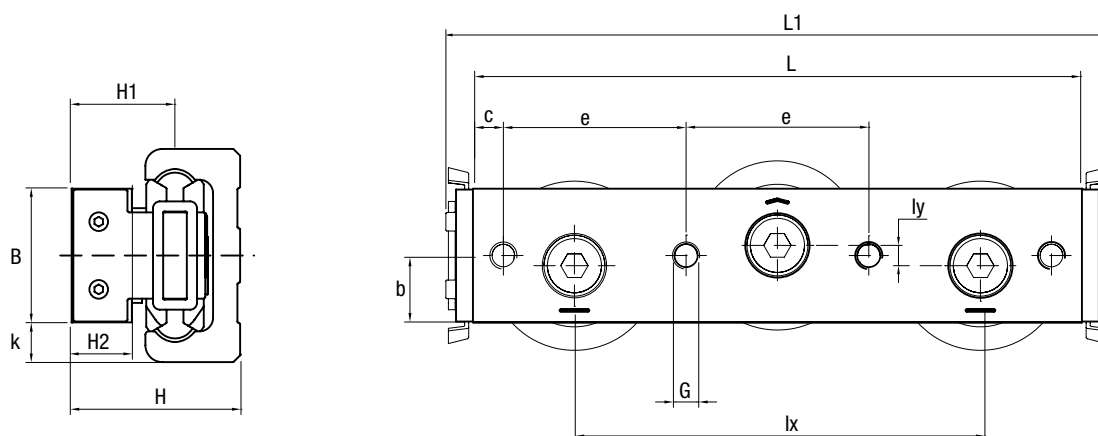
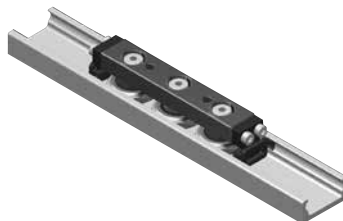
Type	Dimensions (mm)													Weight (kg)	Guide
	L	L ₁	B	l _x	l _y	H	H ₁	H ₂	G	b	c	e	k		
C5 RCS 28 178 A C5 RCS 28 178 B	140	178	26.5	104	0.5	24	15	9	M5	13.25	130	26	0.75	0.25	LS 28
C5 RCS 43 245 A C5 RCS 43 245 B	205	245	41	152	1	37	22.5	13.5	M8	20.5	188	37	1	0.66	LS 43

- Dimensions also apply to C5 RAS A / B and C5 RYS A / B

C-LINE

CARRIAGES C3 RCN, C3 RAN, C3 RYN

Carriages with steel body with 3 guide rollers for LS guides.

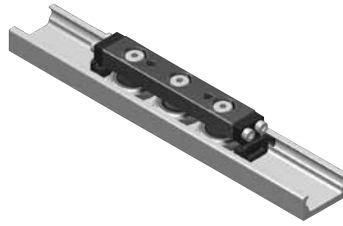


Type	Dimensions (mm)													Weight (kg)	Guide
	L	L1	B	lx	ly	H	H1	H2	G	b	c	e	k		
C3 RCN 28 080	80	96	14.9	54	0.5	23.9	14.9	8.9	M5 (2 x)	7.45	22.5	35	6.55	0.145	LS 28
C3 RCN 43 120	120	136	24.9	80	0,75	37	22.5	13.5	M8 (2 x)	12.45	32.5	55	9.05	0.534	LS 43
C3 RCN 63 180	180	196	39.5	120	1	49.8	30.55	17.8	M8 (4 x)	19.75	9	54	6.75	1.666	LS 63

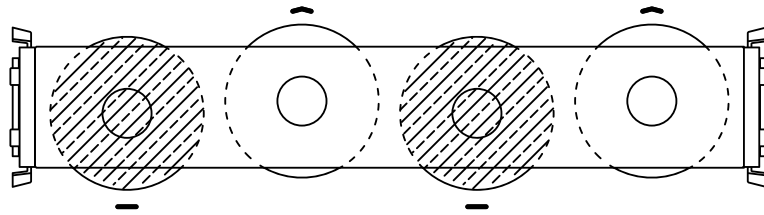
- Dimensions also apply to C3 RAN and C3 RYN
- The markings show the contact points with the running surface of the rails

CARRIAGES C4 RCN, C4 RAN, C4 RYN

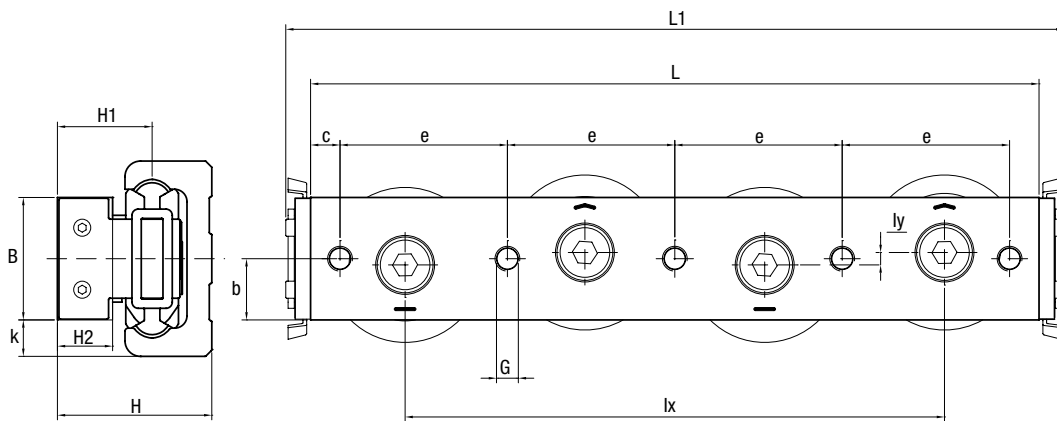
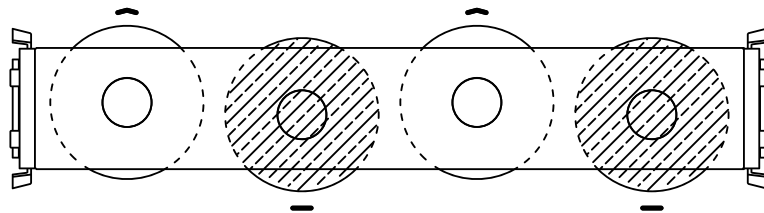
Carriages with steel body with 4 guide rollers for LS guides.



C4 ... A



C4 ... B



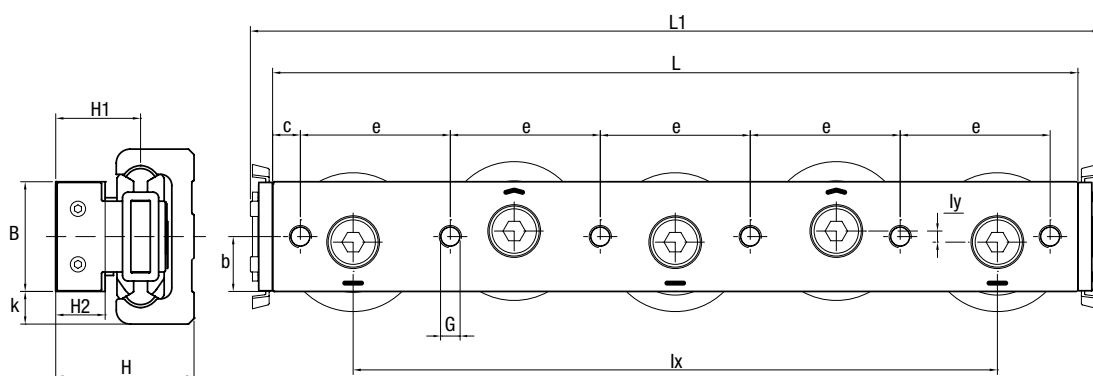
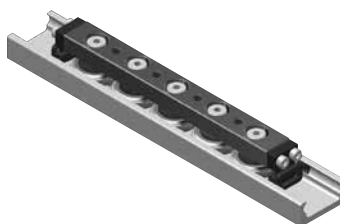
Type	Dimensions (mm)													Weight (kg)	Guide
	L	L1	B	lx	ly	H	H1	H2	G	b	c	e	k		
C4 RCN 28 100 A C4 RCN 28 100 B	100	116	14.9	75	0.5	23.9	14.9	8.9	M5 (2 x)	7.45	25	50	6.55	0.18	LS 28
C4 RCN 43 150 A C4 RCN 43 150 B	150	166	24.9	110	0,75	37	22.5	13.5	M8 (2 x)	12.45	35	80	9.05	0.684	LS 43
C4 RCN 63 235 A C4 RCN 63 235 B	235	251	39.5	174	1	49.8	30.55	17.8	M8 (5 x)	19.75	9.5	54	6.75	2.149	LS 63

- Dimensions also apply to C4 RAN and C4 RYN
- The markings show the contact points with the running surface of the rails

C-LINE

CARRIAGES C5 RCN, C5 RAN, C5 RYN

Carriages with steel body with 5 guide rollers for LS guides.

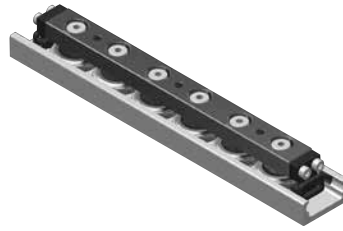


Type	Dimensions (mm)													Weight (kg)	Guide
	L	L1	B	lx	ly	H	H1	H2	G	b	c	e	k		
C5 RCN 28 125	125	141	14.9	98	0.5	23.9	14.9	8.9	M5 (4 x)	7.45	25	25	6.55	0.229	LS 28
C5 RCN 43 190	190	206	24.9	150	0,75	37	22.5	13.5	M8 (4 x)	12.45	35	40	9.05	0.853	LS 43
C5 RCN 63 290	290	306	39.5	232	1	49.8	30.55	17.8	M8 (6 x)	19.75	10	54	6.75	2.672	LS 28

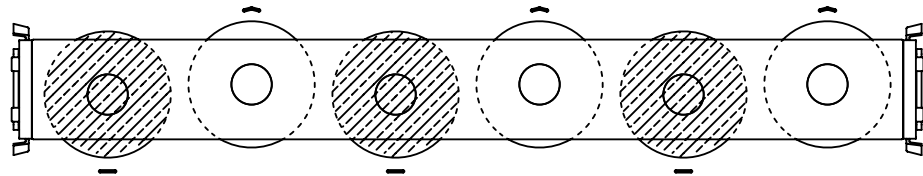
- Dimensions also apply to C5 RAN and C5 RYN
- The markings show the contact points with the running surface of the rails

CARRIAGES C6 RCN, C6 RAN, C6 RYN

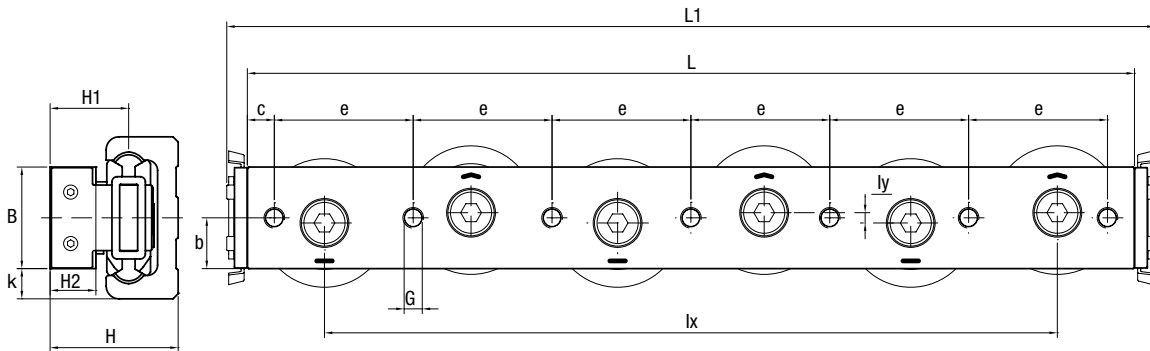
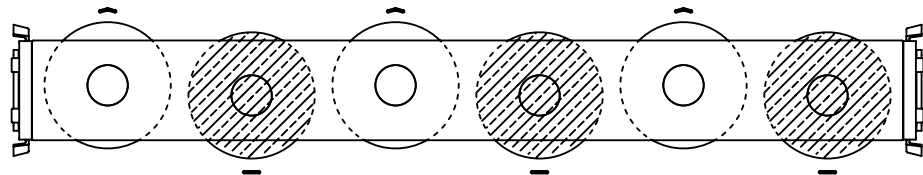
Carriages with steel body with 6 guide rollers for LS guides.



C6 ... A



C6 ... B



Type	Dimensions (mm)													Weight (kg)	Guide
	L	L1	B	lx	ly	H	H1	H2	G	b	c	e	k		
C6 RCN 28 150 A C6 RCN 28 150 B	150	166	14.9	125	0.5	23.9	14.9	8.9	M5 (3 x)	7.45	25	50	6.55	0.265	LS 28
C6 RCN 43 230 A C6 RCN 43 230 B	230	246	24.9	190	0,75	37	22.5	13.5	M8 (3 x)	12.45	35	80	9.05	1.036	LS 43
C6 RCN 63 345 A C6 RCN 63 345 B	345	361	39.5	285	1	49.8	30.55	17.8	M8 (7 x)	19.75	10.5	54	6.75	3.158	LS 63

- Dimensions also apply to C6 RAN and C6 RYN
- The markings show the contact points with the running surface of the rails