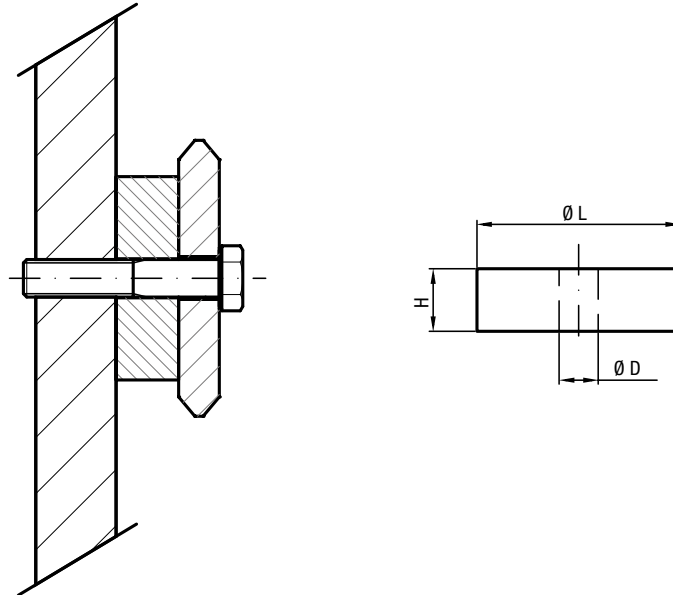
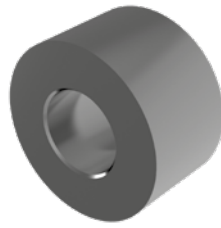


SPACERS FOR FS AND FSH



Type	Dimensions (mm)			Suggested combinations
	Ø L	Ø D	H	
DIST FS 19	12	6.5	10	FS 19, FSH 19
DIST FS 22	15	6.5	10	FS 22, FSH 22, FSR 22
DIST FS 32	30	6.5	15	FS 32
DIST FS 35	35	8.5	15	FS 35, FSR 35
DIST FS 40	50	8.5	15	FS 40
DIST FS 47	60	10.5	20	FS 47, FSR 47
DIST FS 52	65	12.5	20	FS 52
DIST FS 62	80	12.5	20	FS 62
DIST FS 72	35	16.5	20	FS 72, FSH 72
DIST FSH 32	20	6.5	15	FSH 32
DIST FSH 40	25	8.5	15	FSH 40
DIST FSH 52	25	12.5	20	FSH 52
DIST FSH 62	25	12.5	20	FSH 62
DIST FSX 90	43	12.5	30	FSX 90

- The spacers, mounted between the guide and the supporting structure, guarantee adequate distance for the sliding of the rollers
- The spacers DIST are designed for guides FS and FSH of V-Line and guides FSR of Multi-Motion-Line
- Delivery without screws

FINISHING

- Anodized aluminium

OPTIONAL FEATURES

- Steel