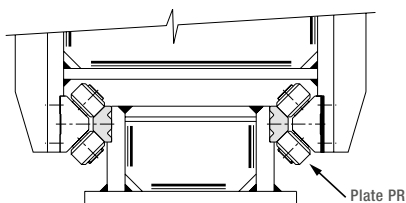
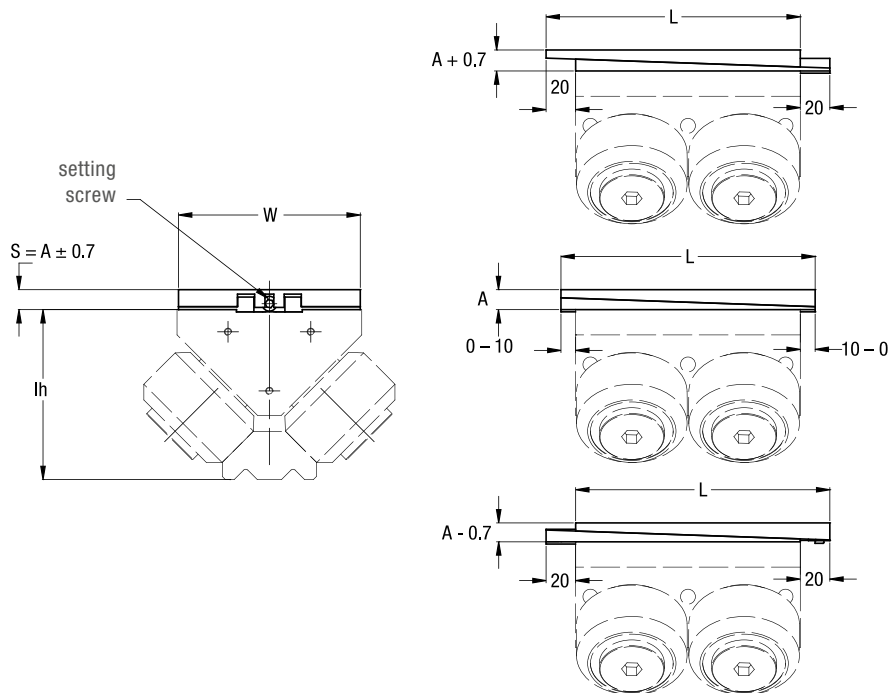
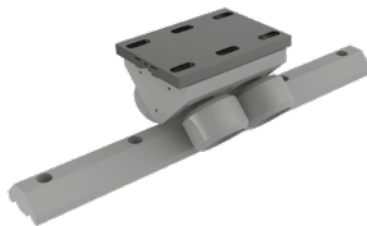


ROLBLOC

ADJUSTMENT PLATES PR

Adjustment plates for BL carriages.



A typical example of Rolbloc system assembly, with opposing parallel guides is shown. For optimal assembly, it is recommended to use adjustment plates PR on one side

Type	Dimensions (mm)			Weight (kg)	Combination with ROLBLOC carriages
	L	W	A		
PR 252	76	88	13.5	0.5	BL 252
PR 452	132	88	13.5	1	BL 452, BL 252 DS
PR 275	96	123	13.5	1	BL 275
PR 475	172	123	13.5	1.9	BL 475, BL 275 DS
PR 2115	145	168	17	2.9	BL 2115
PR 4115	270	168	17	5.7	BL 4115

The adjusting plates allow to easily set the proper preload during the mounting on the machine by acting on the dimension lh.

The two steel plates are placed between the carriage Rolbloc and the mounting surface. Setting is done by the setting screw before the final tightening of the screws used to mount the Rolbloc.

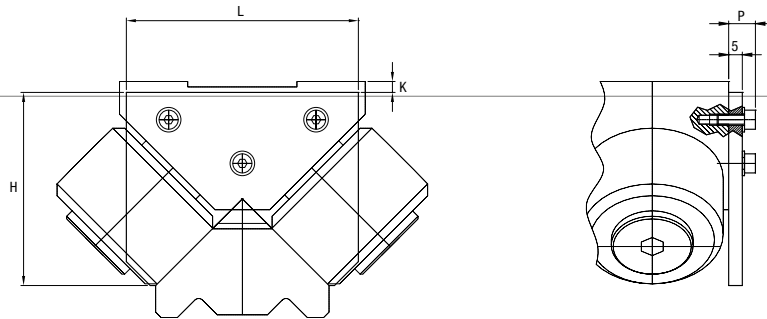
Dimension W of the plates is 2 mm lower than Rolbloc central body.

Use the Rolbloc side as a reference for the positioning.

When the plates are set in the mid position (thickness A) they can be shifted 10 mm from the block centreline. The allowed displacement can be reduced with setting to zero for the minimum or maximum regulation. Consider 10 mm of space beyond the plate length on each side (20 mm over the block length) to use the full thickness setting capability +/- 0,7 mm.

WIPERS RPT

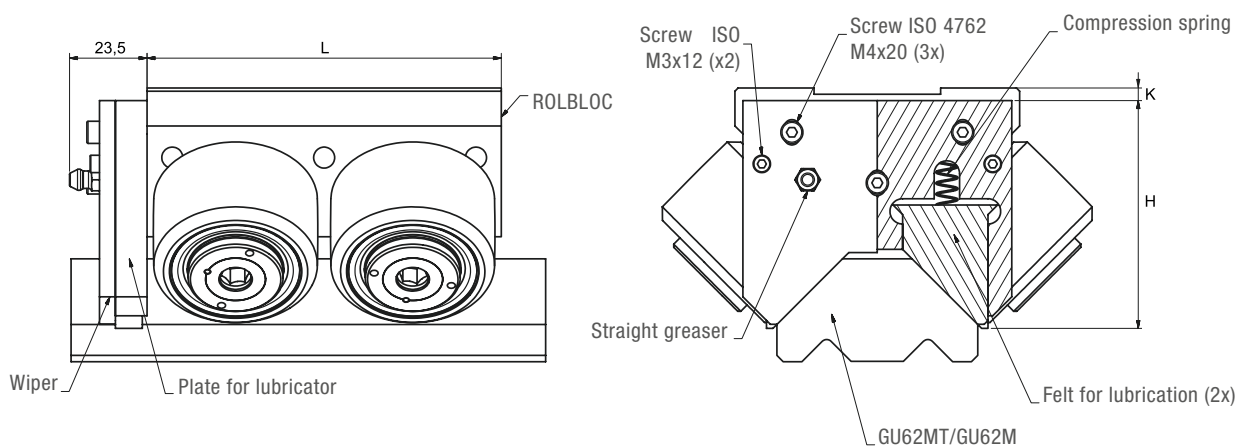
Material: Plastic (polyzene), color: green



Type	Dimensions (mm)				Combination
	L	H	K	P	
RPT 52	85	70.75	4 ± 1.5	9.8	BL 252, BL 452
RPT 75	120	99.25	4 ± 2	11	BL 275, BL 475
RPT 115	165	135.55	5 ± 2	11	BL 2115, BL 4115

LUBL LUBRICATION SYSTEM FOR ROLBLOC

Material:
Plastic (polyzene), color: green and aluminum



Type	Dimensions (mm)			Combination
	L	H	K	
LUBL 52	85	72	4 ± 1.5	BL 252, BL 452
LUBL 75	120	105.5	4 ± 1.5	BL 275, BL 475
LUBL 115	165	135.5	4 ± 1.5	BL 2115, BL 4115