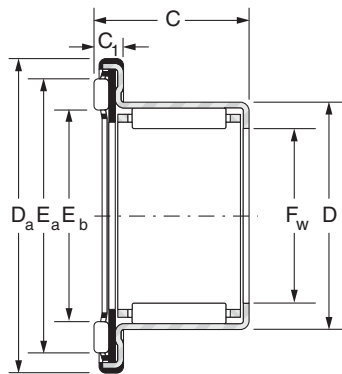
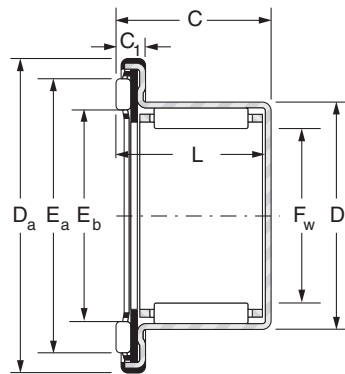


Combined bearings RAX 700

- open RAX 700 series
- closed-end RAXF 700 series

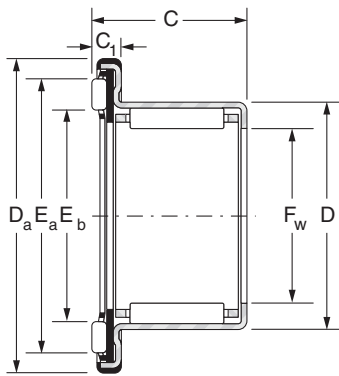


RAX 700

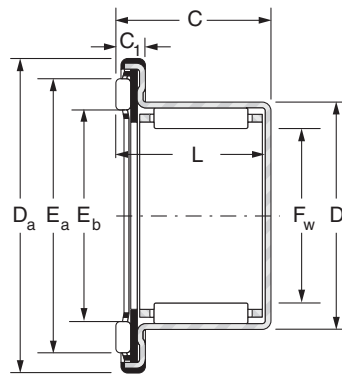


RAXF 700

Shaft ∅ mm	Designations		F _w mm	D mm	C mm	D _a mm	E _b mm	E _a mm	C ₁ mm	L mm	Load ratings kN			
	RAX 700 series	RAXF 700 series									Radial		Axial	
											Dyn. C	Stat. C ₀	Dyn. C	Stat. C ₀
5	RAX 705		5	9	11	15.5	7.2	11.2	3.3	-	2.15	1.95	3.15	6.35
12	RAX 712	RAXF 712	12	18	14.2	27.5	15	22.6	4.2	13.2	6.30	7.20	6.90	17.7
14	RAX 714	RAXF 714	14	20	14.2	29.5	17	24.6	4.2	13.2	6.90	8.50	7.40	20.0
15	RAX 715	RAXF 715	15	21	14.2	31.5	19	26.6	4.2	13.2	7.40	9.30	7.80	22.0
18	RAX 718	RAXF 718	18	24	18.2	33.5	21	28.6	4.2	17.2	11.5	17.7	8.00	23.0
20	RAX 720	RAXF 720	20	26	18.2	36.5	22	31.6	4.2	17.2	12.2	19.5	11.8	39.0
25	RAX 725	RAXF 725	25	33	22.2	45.5	30	39.6	4.2	21.2	20.5	32.0	13.7	52.0
30	RAX 730	RAXF 730	30	38	22.2	50.5	35	44.7	4.2	21.2	22.3	37.5	14.9	60.0
35	RAX 735		35	43	22.2	56.5	39	50.9	4.2	21.2	24.5	45.0	19.4	88.0
40	RAX 740	RAXF 740	40	48	22.2	61.5	43	54.9	4.2	21.2	26.2	51.0	20.4	96.0
45	RAX 745		45	52	22.2	66.5	48	59.9	4.2	21.2	24.8	55.0	21.8	109



RAX 700

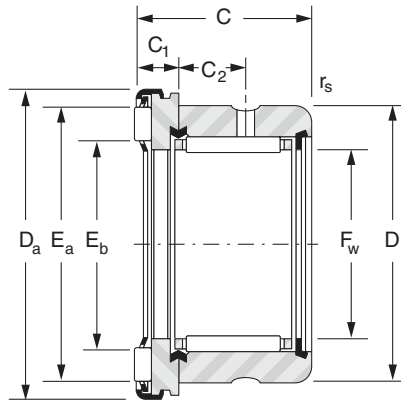


RAXF 700

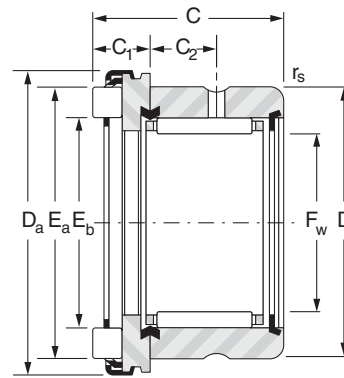
Limit Loads kN		Speed rating min ⁻¹	Weight		Inspection			Inner ring	Thrust plate		Shaft Ø mm
Radial	Axial		RAX Kg	RAXF Kg	Housing Ø mm	GO plug-gauges mm	NO-GO plug-gauges mm		Thin	Thick	
0.74	3.5	25000	0.005		9.000	5.009	5.036				5
2.5	11	13000	0.017	0.018	18.000	12.009	12.035	JR 8x12x12.5	CP 12 26	CP 2 12 26	12
2.9	12.5	11500	0.018	0.020	20.000	14.009	14.035	JR 10x14x12	CP 14 26	CP 2 14 26	14
3.1	14	10500	0.020	0.022	21.000	15.009	15.035	JR 12x15x12.5	CP 15 28	CP 2 15 28	15
5.8	16	10000	0.027	0.030	24.000	18.009	18.035	JR 15x18x16.5	CP 18 30	CP 2 18 30	18
6.4	18	9000	0.031	0.035	26.000	20.009	20.035	JR 15x20x16	CP 20 35	CP 3 20 35	20
10.5	22	7200	0.055	0.060	33.000	25.015	25.041	JR 20x25x20.5	CP 25 42	CP 3 25 42	25
12	25	6300	0.063	0.070	38.000	30.015	30.041	JR 25x30x20.5	CP 30 47	CP 3 30 47	30
14.3	27	5500	0.075	0.084	43.000	35.015	35.041	JR 30x35x20.5	CP 35 52	CP 3 35 52	35
16	30	5000	0.086	0.096	48.000	40.015	40.041	JR 35x40x20.5	CP 40 60	CP 3 40 60	40
17	32	4500	0.088	0.099	52.000	45.015	45.041	JR 40x45x20.5	CP 45 65	CP 3 45 65	45

Combined bearings RAX 400 – RAX 500

Machine-tool
quality combined
bearings
RAXN 400,
RAXN 500
series

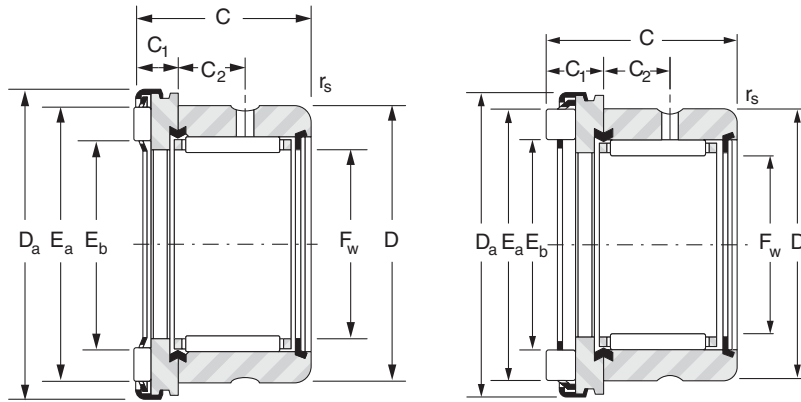


RAX 400 - RAXN 400



RAX 500 - RAXN 500

Shaft ∅ mm	Designations		F _w mm	C mm	D mm	D _a mm	E _b mm	E _a mm	C ₁ mm	C ₂ mm	r _s min mm
	RAX 400 series	RAX 500 series									
10	RAX 410		10	19	19	22	12	18.6	5	6	0.35
		RAX 510	10	19.5	19	22	12.2	18.5	5.5	6	0.35
12	RAX 412		12	19	21	26	15	22.6	5	6	0.35
		RAX 512	12	20	21	26	22.9	14.8	6	6	0.35
15	RAX 415		15	19	24	28	17	24.6	5	6	0.35
		RAX 515	15	20	24	28	16.8	24.9	6	6	0.35
17	RAX 417		17	21	26	30	19	26.6	5	8	0.65
		RAX 517	17	22	26	30	18.8	26.9	6	8	0.65
20	RAX 420		20	24	30	35	22	31.6	6	9	0.85
		RAX 520	20	26	30	35	22	31.6	8	9	0.85
25	RAX 425		25	24	37	42	27.7	37.4	6	9	0.85
		RAX 525	25	26	37	42	27.7	37.4	8	9	0.85
30	RAX 430		30	24	42	47	32.7	42.4	6	9	0.85
		RAX 530	30	26	42	47	32.7	42.3	8	9	0.85
35	RAX 435		35	24	47	53	37.2	49	6	9	0.85
		RAX 535	35	27	47	53.4	37.8	47.8	9	9	0.85
40	RAX 440		40	24	52	60	43	54.9	6	9	0.85
		RAX 540	40	28	52	60.4	54.8	42.8	10	9	0.85
45	RAX 445		45	24	58	65	48	59.9	6	9	0.85
		RAX 545	45	28	58	65.4	47.8	59.8	10	9	0.85
50	RAX 450		50	27	62	70	53.3	65.7	6	11	1.3
		RAX 550	50	31	62	70.4	52.8	64.8	10	11	1.3
60	RAX 460		60	28	72	85	63.5	79.2	7	11	1.3
		RAX 560	60	32	72	85.4	63.5	79.5	11	11	1.3
70	RAX 470		70	28	85	95	73.5	89.2	7	11	1.3
		RAX 570	70	32	85	95.4	73.5	89.5	11	11	1.3



RAX 400 - RAXN 400

RAX 500 - RAXN 500

Load Ratings kN				Speed Rating min ⁻¹	Weight kg	Inner ring	Thrust plate		Shaft ∅ mm
Radial		Axial					Thin	Thick	
Dyn. C	Stat. Co	Dyn. C	Stat. Co						
5.90	7.16	5.00	10.9	15500	0.025	JR 7x10x16	CP 10 22	CP 2 10 22	10
5.90	7.16	8.20	17.9	15500	0.026	JR 7x10x16	CP 10 22	CP 2 10 22	
6.78	9.03	7.10	18.5	13000	0.032	JR 9x12x16	CP 12 26	CP 2 12 26	12
6.78	9.03	12.7	29.5	13000	0.033	JR 9x12x16	CP 12 26	CP 2 12 26	
9.66	12.6	7.60	20.8	11500	0.034	JR 12x15x16	CP 15 28	CP 2 15 28	15
9.66	12.6	14.0	34.0	11500	0.036	JR 12x15x16	CP 15 28	CP 2 15 28	
11.8	16.3	8.10	23.0	10500	0.041	JR 14x17x17	CP 17 30	CP 2 17 30	17
11.8	16.3	15.0	39.0	10500	0.044	JR 14x17x17	CP 17 30	CP 2 17 30	
14.8	23.7	11.8	39.0	9000	0.066	JR 17x20x20	CP 20 35	CP 3 20 35	20
14.8	23.7	22.0	54.0	9000	0.070	JR 17x20x20	CP 20 35	CP 3 20 35	
15.1	26.2	13.3	49.0	7500	0.099	JR 20x25x20	CP 25 42	CP 3 25 42	25
15.1	26.2	25.5	70.0	7500	0.105	JR 20x25x20	CP 25 42	CP 3 25 42	
20.2	34.6	14.5	57.0	6500	0.111	JR 25x30x20	CP 30 47	CP 3 30 47	30
20.2	34.6	26.5	77.0	6500	0.118	JR 25x30x20	CP 30 47	CP 3 30 47	
22.1	40.8	18.9	84.0	5500	0.130	JR 30x35x20	CP 35 52	CP 3 35 52	35
22.1	40.8	33.8	94.0	5500	0.146	JR 30x35x20	CP 35 52	CP 3 35 52	
23.8	47.0	20.4	96.0	5000	0.150	JR 35x40x20	CP 40 60	CP 3 40 60	40
23.8	47.0	46.0	129.0	5000	0.174	JR 35x40x20	CP 40 60	CP 3 40 60	
24.9	51.8	21.8	109.0	4500	0.179	JR 40x45x20	CP 45 65	CP 3 45 65	45
24.9	51.8	49.0	143.0	4500	0.206	JR 40x45x20	CP 45 65	CP 3 45 65	
30.2	68.5	22.5	118.0	4000	0.205	JR 45x50x25	CP 50 70	CP 3 50 70	50
30.2	68.5	51.0	157.0	4000	0.232	JR 45x50x25	CP 50 70	CP 3 50 70	
31.9	78.1	31.5	193.0	3500	0.282	JR 55x60x25	CP 60 85	CP 4 60 85	60
31.9	78.1	71.0	255.0	3500	0.327	JR 55x60x25	CP 60 85	CP 4 60 85	
36.1	84.7	34.5	223.0	3000	0.386	JR 60x70x25	CP 1.5 70 95	CP 4 70 95	70
36.1	84.7	77.0	295.0	3000	0.435	JR 60x70x25	CP 1.5 70 95	CP 4 70 95	