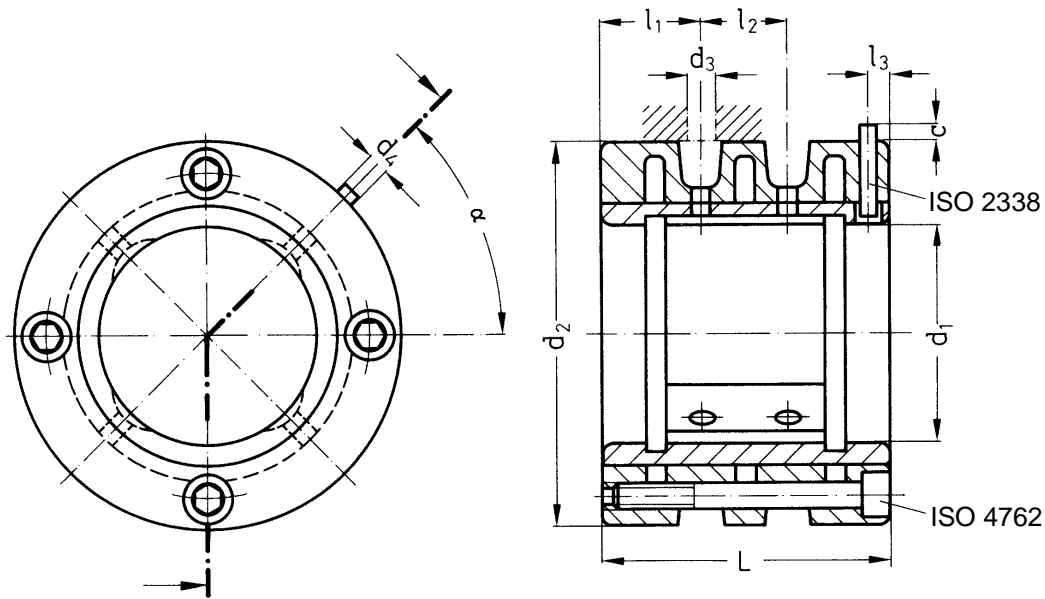


3. Table of dimensions for Radial-Slide-Bearing Series GLM



Designation of an adjustable hydrodynamic radial slide bearing with
 $d_1 = 40 \text{ mm}$, $d_2 = 65 \text{ mm}$, and $L = 45 \text{ mm}$:

Radial slide bearing GLM 40 · 65

Code	dimensions in mm						cylindrical pin ISO 2338 -				clamping screws	
	d_1	d_2	L	l_1	l_2	d_3	d_4	c	l_3	α	dimensions	n
	F6 ¹⁾	h5				max	mm	mm	mm	°	ISO 4762 - 8.8	No.
GLM 30.55	30	55	40	13,8	12,5	4	2	2	3	45	M 4 x 35	4
GLM 35.60	35	60									M 4 x 40	
GLM 40.65	40	65	45	15	15	6	3	2	4	45	M 5 x 45	4
GLM 45.70	45	70									M 5 x 50	
GLM 50.80	50	80	52	17,8	16,5	6	4	3	6	45	M 5 x 55	4
GLM 55.85	55	85	56	18,8	18,5	8					M 6 x 60	
GLM 60.90	60	90	62	20,3	21,5	10	4	3	6	45	M 6 x 65	4
GLM 65.100	65	100	68	23,5	21	10					M 6 x 70	
GLM 70.105	70	105	72	24,5	23	10	4	3	6	45	M 6 x 75	4
GLM 75.110	75	110	78	26	26	15					M 6 x 80	
GLM 80.115	80	115	82	27	28	15	4	3	6	45	M 6 x 85	4
GLM 85.120	85	120	85	27,8	29,5	15					M 6 x 90	
GLM 90.125	90	125	90	29,8	30,5	15	4	3	6	45	M 8 x 100	6
GLM 95.130	95	130	95	31	33	20					M 8 x 110	
GLM 100.135	100	135	100	32,3	35,5	20	4	3	7	30	M 8 x 120	6
GLM 110.160	110	160	110	34,8	40,5	25					M 8 x 130	
GLM 120.170	120	170	120	38,5	43	25						
GLM 130.180	130	180	130	41	48	25						
GLM 140.190	140	190	140	43,5	53	25						

1) see chapter 2.3.

subject to change without notice.