

rod end housing:

forged steel, tempered, surface galvanized, free of Cr VI

joint ball:

ball bearing steel, hardened and ground, surface superfinished and chromium plated

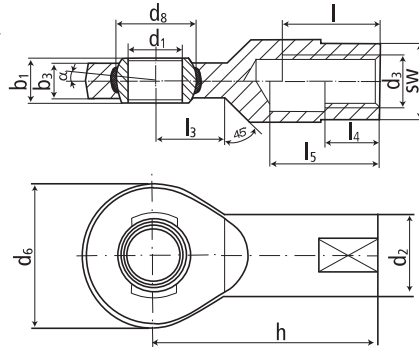
race:

nylon / teflon / glass fibre compound

tolerances:

see page 10

DURBAL® heavy-duty rod ends with integral spherical plain bearing



female thread;
maintenance free,
adapter sizes
according to
DIN ISO 12240-4,
series E / EH



type	order number			measurements [mm]							
	right hand thread	left hand thread		d ₁	d ₂	d ₃	d ₆	d ₈	b ₁	b ₃	h
EF 06	-20	-501	-502	6	10	M 6	20	10,0	6	4	30
EF 08	-20	-501	-502	8	13	M 8	23	13,0	8	5	36
EF 10	-20	-501	-502	10	16	M 10	28	16,0	9	6	43
EF 10 SO	-22	-501	-502	10	16	M 10 x 1,25	28	16,0	9	6	43
EF 12	-20	-501	-502	12	19	M 12	32	18,0	10	7	50
EF 12 SO	-22	-501	-502	12	19	M 12 x 1,25	32	18,0	10	7	50
EF 15	-20	-501	-502	15	22	M 14	38	22,0	12	9	61
EF 17	-20	-501	-502	17	25	M 16	44	25,0	14	10	67
EF 20	-20	-501	-502	20	28	M 20 x 1,5	51	29,0	16	12	77
EF 25	-20	-501	-502	25	35	M 24 x 2	62	35,5	20	16	94
EF 30	-20	-501	-502	30	42	M 30 x 2	70	40,7	22	18	110
EF 35	-20	-501	-502	35	51	M 36 x 3	82	47,0	25	20	125
EF 35 SO	-22	-501	-502	35	51	M 36 x 2	82	47,0	25	20	130
EF 40	-20	-501	-502	40	60	M 42 x 3	92	53,0	28	22	145
EF 40 SO	-22	-501	-502	40	52	M 39 x 3	92	53,0	28	22	142
EF 45	-20	-501	-502	45	67	M 45 x 3	102	60,0	32	25	165
EF 45 SO	-21	-501	-502	45	58	M 42 x 3	102	60,0	32	25	145
EF 50	-20	-501	-502	50	72	M 52 x 3	112	66,0	35	28	195
EF 50 SO	-21	-501	-502	50	62	M 45 x 3	112	66,0	35	28	160
EF 60	-20	-501	-502	60	84	M 60 x 4	135	80,0	44	36	225
EF 60 SO	-21	-501	-502	60	71	M 52 x 3	135	80,0	44	36	175

type	measurements [mm]				SW	α ₁ ¹⁾ [°]	α ₂ ¹⁾ [°]	weight [kg]	basic load rating dyn. stat.	
	l	l ₃	l ₄	l ₅					C [N]	C ₀ [N]
EF 06	12	11			9	13,0	6,5	0,017	2500	10600
EF 08	16	12			11	15,0	8,0	0,031	4200	13100
EF 10	20	13			14	12,0	6,0	0,054	6400	18800
EF 10 SO	20	13			14	12,0	6,0	0,054	6400	18800
EF 12	22	15			17	10,5	5,0	0,086	9200	28000
EF 12 SO	22	15			17	10,5	5,0	0,086	9200	28000
EF 15	25	18			19	8,5	4,5	0,142	13400	41000
EF 17	28	20			22	10,0	5,5	0,208	19200	57900
EF 20	33	23			24	9,0	4,5	0,290	25200	76700
EF 25	42	30			30	7,5	3,5	0,573	42400	119100
EF 30	51	32			36	6,0	3,0	0,908	54000	141800
EF 35		38	36	61	41	6,5	3,5	1,230	70400	180800
EF 35 SO		38	41	66	41	6,5	3,5	1,230	70400	180800
EF 40		42	42	71	50	7,0	3,5	2,075	86000	222600
EF 40 SO		42	39	66	46	7,0	3,5	1,880	86000	222600
EF 45		50	45	76	55	7,5	4,0	3,085	107000	276200
EF 45 SO		50	42	66	50	7,5	4,0	2,500	107000	276200
EF 50		60	52	89	60	6,5	3,0	3,975	132000	339200
EF 50 SO		60	45	69	55	6,5	3,0	3,200	132000	339200
EF 60		70	60	103	70	6,5	3,5	7,300	208000	532100
EF 60 SO		70	52	71	60	6,5	3,5	5,900	208000	532100