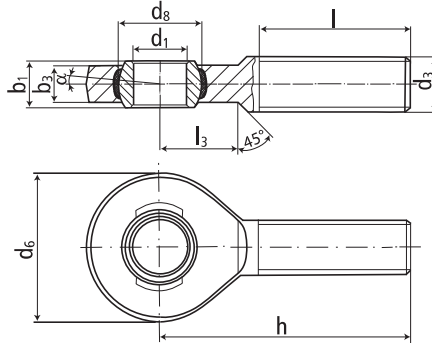


male thread;
maintenance free,
adapter sizes
according to
DIN ISO 12240-4,
series E / EH



DURBAL® heavy-duty rod ends with integral spherical plain bearing



rod end housing:
forged steel, tempered, rolled thread,
surface galvanized, free of Cr VI

joint ball:
ball bearing steel, hardened and ground,
surface superfinished and chromium
plated

race:
nylon / teflon / glass fibre compound

tolerances:
see page 10

type	order number			measurements [mm]						
	right hand thread	left hand thread		d ₁	d ₃	d ₆	d ₈	b ₁	b ₃	h
EM 06	-20	-501	-502	6	M 6	20	10,0	6	4	36
EM 08	-20	-501	-502	8	M 8	23	13,0	8	5	42
EM 10	-20	-501	-502	10	M 10	28	16,0	9	6	48
EM 12	-20	-501	-502	12	M 12	32	18,0	10	7	54
EM 15	-20	-501	-502	15	M 14	38	22,0	12	9	63
EM 17	-20	-501	-502	17	M 16	44	25,0	14	10	69
EM 20	-20	-501	-502	20	M 20 x 1,5	51	29,0	16	12	78
EM 25	-20	-501	-502	25	M 24 x 2	62	35,5	20	16	94
EM 30	-20	-501	-502	30	M 30 x 2	70	40,7	22	18	110
EM 35	-20	-501	-502	35	M 36 x 3	82	47,0	25	20	140
EM 40	-20	-501	-502	40	M 42 x 3	92	53,0	28	22	145
EM 40 SO	-21	-501	-502	40	M 39 x 3	92	53,0	28	22	150
EM 45	-20	-501	-502	45	M 45 x 3	102	60,0	32	25	165
EM 45 SO	-22	-501	-502	45	M 42 x 3	102	60,0	32	25	163
EM 50	-20	-501	-502	50	M 52 x 3	112	66,0	35	28	195
EM 50 SO	-22	-501	-502	50	M 45 x 3	112	66,0	35	28	185
EM 60	-20	-501	-502	60	M 60 x 4	135	80,0	44	36	225
EM 60 SO	-21	-501	-502	60	M 52 x 3	135	80,0	44	36	210

type	measurements [mm]				weight [kg]	basic load rating dyn. stat.	
	l	l ₃	α ₁ ¹⁾ [°]	α ₂ ¹⁾ [°]		C [N]	C ₀ [N]
EM 06	22	11	13,0	6,5	0,014	2500	6400
EM 08	25	12	15,0	8,0	0,024	4200	11000
EM 10	29	15	12,0	6,0	0,041	6400	16800
EM 12	33	15	10,5	5,0	0,067	9200	23000
EM 15	36	18	8,5	4,5	0,110	13400	39600
EM 17	40	23	10,0	5,5	0,163	19200	54100
EM 20	47	25	9,0	4,5	0,270	25200	76700
EM 25	57	32	7,5	3,5	0,508	42400	119100
EM 30	66	35	6,0	3,0	0,785	54000	141800
EM 35	92	38	6,5	3,5	1,330	70400	180800
EM 40	94	42	7,0	3,5	1,890	86000	222600
EM 40 SO	99	42	7,0	3,5	1,785	86000	222600
EM 45	100	50	7,5	4,0	2,620	107000	276200
EM 45 SO	98	50	7,5	4,0	2,430	107000	276200
EM 50	120	60	6,5	3,0	3,865	132000	339200
EM 50 SO	110	60	6,5	3,0	3,225	132000	339200
EM 60	140	70	6,5	3,5	6,400	208000	532100
EM 60 SO	125	70	6,5	3,5	5,430	208000	532100