

**rod end housing:**

forged steel, tempered, surface galvanized, free of Cr VI

**joint ball:**

ball bearing steel, hardened and ground, surface superfinished and chromium plated

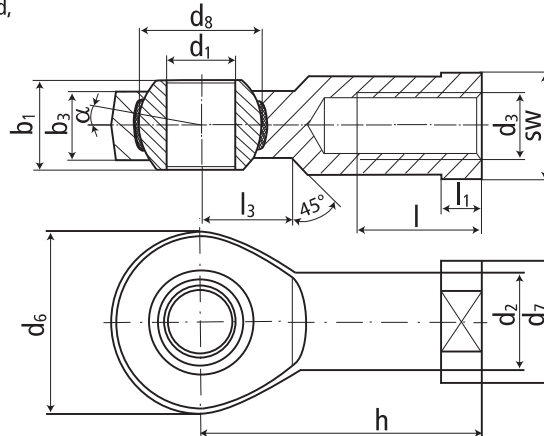
**race:**

nylon / teflon / glass fibre compound

**tolerances:**

see page 10

## DURBAL® heavy-duty rod ends with integral spherical plain bearing



female thread;  
maintenance free,  
adapter sizes  
according to  
**DIN ISO 12240-4,**  
series K,  
thread according to  
**ISO 8139**



type	order number			measurements [mm]							
	right hand thread	left hand thread		d <sub>1</sub>	d <sub>2</sub>	d <sub>3</sub>	d <sub>6</sub>	d <sub>7</sub>	d <sub>8</sub>	b <sub>1</sub>	b <sub>3</sub>
BEF 05	-20	-501	-502	5	9,0	M 5	18	11	11,06	8	6,0
BEF 05 SO	-22	-501	-502	5	9,0	M 4	18	11	11,06	8	6,0
BEF 06	-20	-501	-502	6	10,0	M 6	20	13	12,65	9	6,75
BEF 08	-20	-501	-502	8	12,5	M 8	24	16	15,82	12	9,0
BEF 10	-20	-501	-502	10	15,0	M 10	28	19	19,00	14	10,5
BEF 10 SO	-21	-501	-502	10	15,0	M 10 x 1,25	28	19	19,00	14	10,5
BEF 12	-20	-501	-502	12	17,5	M 12	32	22	22,17	16	12,0
BEF 12 SO	-22	-501	-502	12	17,5	M 12 x 1,25	32	22	22,17	16	12,0
BEF 14	-20	-501	-502	14	20,0	M 14	36	25	25,35	19	13,5
BEF 16	-20	-501	-502	16	22,0	M 16	42	27	28,52	21	15,0
BEF 16 SO	-21	-501	-502	16	22,0	M 16 x 1,5	42	27	28,52	21	15,0
BEF 18	-20	-501	-502	18	25,0	M 18 x 1,5	46	31	31,70	23	16,5
BEF 20	-20	-501	-502	20	27,5	M 20 x 1,5	50	34	34,87	25	18,0
BEF 22	-20	-501	-502	22	30,0	M 22 x 1,5	54	38	38,05	28	20,0
BEF 25	-20	-501	-502	25	33,5	M 24 x 2	60	42	42,80	31	22,0
BEF 30	-20	-501	-502	30	40,0	M 30 x 2	70	50	50,75	37	25,0
BEF 30 SO	-22	-501	-502	30	40,0	M 27 x 2	70	50	50,75	37	25,0

type	measurements [mm]					SW	$\alpha_1^{1)}$ [°]	$\alpha_2^{1)}$ [°]	weight [kg]	basic load rating	
	h	l	l <sub>1</sub>	l <sub>3</sub>	dyn. C [N]					stat. C <sub>0</sub> [N]	
BEF 05	27	10	4,0	10	9	13,0	7,5	0,018	3910	10800	
BEF 05 SO	27	10	4,0	10	9	13,0	7,5	0,018	3910	10800	
BEF 06	30	12	5,0	10	11	13,0	6,5	0,024	4590	12800	
BEF 08	36	16	5,0	12	14	14,5	7,5	0,045	6965	19200	
BEF 10	43	20	6,5	15	17	13,5	8,0	0,074	10420	27400	
BEF 10 SO	43	20	6,5	15	17	13,5	8,0	0,074	10420	27400	
BEF 12	50	22	6,5	16	19	13,0	8,0	0,109	12425	33400	
BEF 12 SO	50	22	6,5	16	19	13,0	8,0	0,109	12425	33400	
BEF 14	57	25	8,0	20	22	16,0	9,5	0,155	15440	41300	
BEF 16	64	28	8,0	22	22	15,5	8,5	0,233	22410	59600	
BEF 16 SO	64	28	8,0	22	22	15,5	8,5	0,233	22410	59600	
BEF 18	71	32	10,0	24	27	15,0	9,5	0,310	26325	69700	
BEF 20	77	33	10,0	26	30	14,5	9,0	0,386	30805	82200	
BEF 22	84	37	12,0	26	32	15,5	10,0	0,520	38230	95600	
BEF 25	94	42	12,0	30	36	15,0	10,0	0,705	45350	118600	
BEF 30	110	51	15,0	35	41	17,0	10,5	1,084	55010	145600	
BEF 30 SO	110	51	15,0	35	41	17,0	10,5	1,084	55010	145600	