



stainless steel DURBAL® BEF

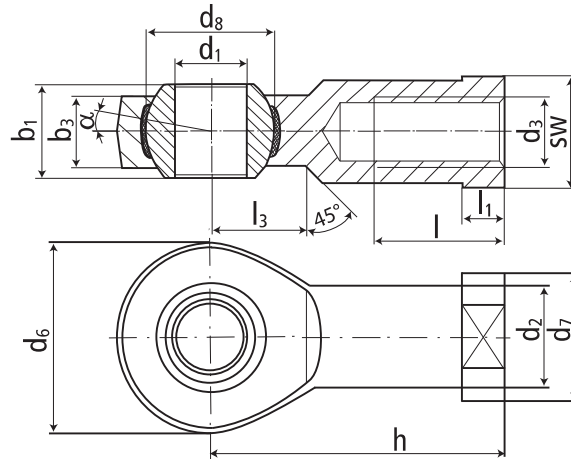
rod end housing:
stainless steel 1.4301, rolled thread,
surface with pickling treatment

joint ball:
stainless steel, hardened and ground,
surface superfinished

race:
nylon / teflon / glass fibre compound

tolerances:
see page 10

DURBAL® heavy-duty rod ends with integral spherical plain bearing in stainless steel



female thread;
maintenance free,
adapter sizes
according to
DIN ISO 12240-4,
series K,
thread according to
ISO 8139



type	order number			measurements [mm]								
	right hand thread	left hand thread		d ₁	d ₂	d ₃	d ₆	d ₇	d ₈	b ₁	b ₃	
BEF 05	-60	-501	-502	5	9,0	M 5	18	11	11,06	8	6,0	
BEF 05SO	-61	-501	-502	5	9,0	M 4	18	11	11,06	8	6,0	
BEF 06	-60	-501	-502	6	10,0	M 6	20	13	12,65	9	6,75	
BEF 08	-60	-501	-502	8	12,5	M 8	24	16	15,82	12	9,0	
BEF 10	-60	-501	-502	10	15,0	M 10	28	19	19,00	14	10,5	
BEF 10SO	-61	-501	-502	10	15,0	M 10 x 1,25	28	19	19,00	14	10,5	
BEF 12	-60	-501	-502	12	17,5	M 12	32	22	22,17	16	12,0	
BEF 12SO	-61	-501	-502	12	17,5	M 12 x 1,25	32	22	22,17	16	12,0	
BEF 14	-60	-501	-502	14	20,0	M 14	36	25	25,35	19	13,5	
BEF 16	-60	-501	-502	16	22,0	M 16	42	27	28,52	21	15,0	
BEF 16SO	-61	-501	-502	16	22,0	M 16 x 1,5	42	27	28,52	21	15,0	
BEF 18	-60	-501	-502	18	25,0	M 18 x 1,5	46	31	31,70	23	16,5	
BEF 20	-60	-501	-502	20	27,5	M 20 x 1,5	50	34	34,87	25	18,0	
BEF 22	-60	-501	-502	22	30,0	M 22 x 1,5	54	38	38,05	28	20,0	
BEF 25	-60	-501	-502	25	33,5	M 24 x 2	60	42	42,80	31	22,0	
BEF 30	-60	-501	-502	30	40,0	M 30 x 2	70	50	50,75	37	25,0	
BEF 30SO	-61	-501	-502	30	40,0	M 27 x 2	70	50	50,75	37	25,0	

type	measurements [mm]					SW	$\alpha_1^{1)}$ [°]	$\alpha_2^{1)}$ [°]	weight [kg]	basic load rating	
	h	l	l ₁	l ₃	dyn. C [N]					stat. C ₀ [N]	
BEF 05	27	10	4,0	10	9	13,0	7,5	0,018	2400	7200	
BEF 05SO	27	10	4,0	10	9	13,0	7,5	0,018	2400	7200	
BEF 06	30	12	5,0	10	11	13,0	6,5	0,024	2820	8500	
BEF 08	36	16	5,0	12	14	14,5	7,5	0,045	4280	12800	
BEF 10	43	20	6,5	15	17	13,5	8,0	0,074	6400	18300	
BEF 10SO	43	20	6,5	15	17	13,5	8,0	0,074	6400	18300	
BEF 12	50	22	6,5	16	19	13,0	8,0	0,109	7600	22300	
BEF 12SO	50	22	6,5	16	19	13,0	8,0	0,109	7600	22300	
BEF 14	57	25	8,0	20	22	16,0	9,5	0,155	9480	27600	
BEF 16	64	28	8,0	22	22	15,5	8,5	0,233	13760	39700	
BEF 16SO	64	28	8,0	22	22	15,5	8,5	0,233	13760	39700	
BEF 18	71	32	10,0	24	27	15,0	9,5	0,310	16160	46500	
BEF 20	77	33	10,0	26	30	14,5	9,0	0,386	18960	54800	
BEF 22	84	37	12,0	26	32	15,5	10,0	0,520	23480	63600	
BEF 25	94	42	12,0	30	36	15,0	10,0	0,705	27860	79100	
BEF 30	110	51	15,0	35	41	17,0	10,5	1,084	33800	97100	
BEF 30SO	110	51	15,0	35	41	17,0	10,5	1,084	33800	97100	

Technical changes reserved.

¹⁾ angle of tilt, see page 5