



Angular contact ball bearing
Type series SKE



Angular contact ball bearing



General

KMF angular contact ball bearings of the SKE type are low friction, ready to install units of high accuracy for high speeds, with high axial and radial load capacity and high tilting stiffness. SKE built-in units have running tracks inclined at an angle of 45° to the bearing axis. The bearing rings are splitted.

Description of construction

The KMF angular contact ball bearing SKE consists of two hardened ball track rings with ground or turned running tracks and (closed) ball cage with guided and contained balls.

Temperature

The bearing temperature limits in continuous operation are -40°C and +100°C, for short period operation the maximum is +120°C.

Materials

Ball running rings made of hardened roller bearing steel	hardness 60-63 HRC
Ball cage (compound construction)	polyamide PA 12 with steel support
Balls DIN 5401 hardened roller bearing steel	100 Cr6 hardness 59 ÷ 65 HRC / grade 10

Example of order:

Inclined angular contact ball bearing Type: SKE 12 0243

Designation : Quantity :

———— pich diam. D_L (243 mm)
 ———— ball size (12 mm)
 ———— type

Angular contact ball bearing

Type SKE 12 (preferred series)

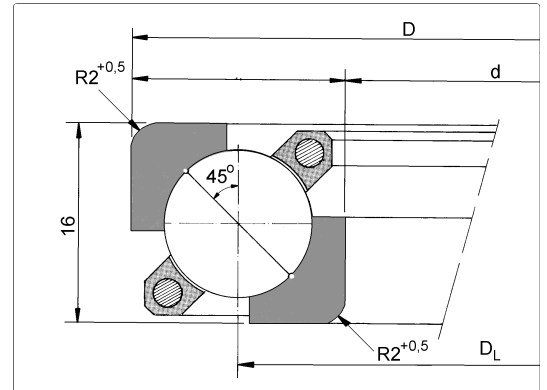
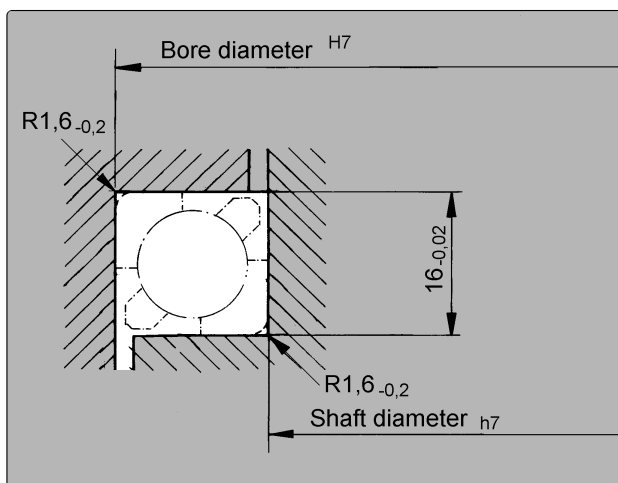


Table of dimensions [dimensions in mm]

KMF-type 1)	Bearing dimension		Load capacity				Weight kg
	d	D	dyn. C_a [kN]	stat. C_{0a} [kN]	dyn. C_r [kN]	stat. C_{0r} [kN]	
SKE 12 0143	126	160	68	233	36	44	0,49
SKE 12 0183	166	200	71	286	42	59	0,63
SKE 12 0203	186	220	73	313	45	67	0,70
SKE 12 0243	226	260	77	375	47	80	0,83
SKE 12 0263	246	280	86	429	47	80	0,90
SKE 12 0283	266	300	88	437	50	94	0,97

1.) Other dimensions on request

Arrangements



Fitted dimensions

