

Ball cage KKLK

Series KKLK – cage strips filled with balls



General

Ball cages of series KKLK are ball cages of series KK 100 and KK 107 with ball guides and holders, which are supplied filled with balls. The ball cage strips are offered in metre lengths or cut ready for installation.

The standard balls for filled cage strips of series KKLK are made of the material 100Cr6 according to DIN 5401 / Grade 28 (class 3). Variants made of other materials, eg: corrosion-resistant steel X46Cr13 / 1.4034 or POM plastic and AL₂O₃ ceramic are also possible.

Possibilities of use

All rotating (and linear) movements based on ball track systems, eg:

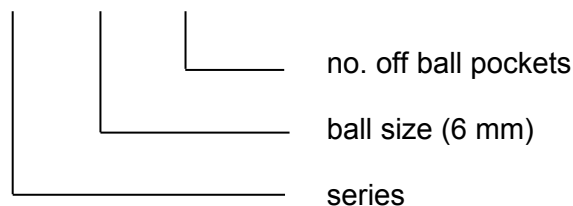
- Four point ball bearings
- Grooved ball bearings
- Ball rotating joints
- Wire ball bearing elements or complete bearings
- Skew ball bearings (in certain conditions)
- Rotating joints

Minimum quantity	- none	
Material	- PA 12	
Colouring	- at the manufacturer`s choice	
Suffixes for balls (examples)	- corrosion-resistant steel	SS
	- plastic	POM
	- ceramic	ALO

Example of order / inquiry

Ball cage cut to length with 38 balls 6 mm diam. (note cage end play page 8)

Designation : Quantity :



Ball cage in metre lengths, filled with 6 mm diam. balls made of corrosion-resistant steel (SS)

Designation: Quantity :

Ball cage KKLK

Series KKLK cage strips filled with balls

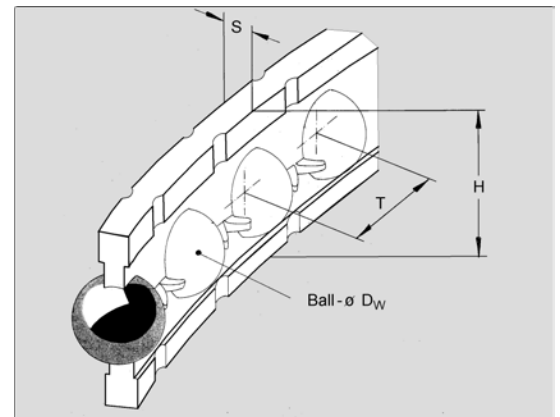
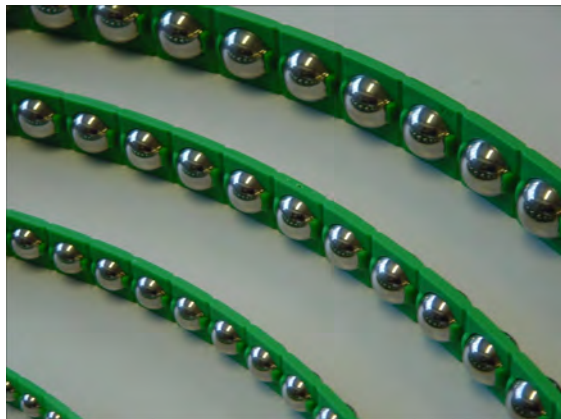


Table of dimensions [dimensions in mm]

KMF-type 1)	Ball Ø		H	S	T	D 2)
	D _w	[inch]				
KKLK 021/...	2,000		5,0	0,75	3,0	2,1
KKLK 023/...	2,381	3/32	6,0	0,80	3,6	2,5
KKLK 031/...	3,000		7,0	1,00	4,2	3,2
KKLK S32/...	3,175	1/8	4,4	0,70	4,2	3,3
KKLK 032/...	3,175	1/8	7,0	1,00	4,2	3,2
KKLK 039/...	3,969	5/32	6,3	1,30	5,8	4,2
KKLK 040/...	4,000		6,3	1,30	5,8	4,2
KKLK 047/...	4,762	3/16	8,0	1,50	6,8	5,2
KKLK 050/...	5,000		8,0	1,50	6,8	5,2
KKLK 060/...	6,000		9,0	1,60	7,8	6,2
KKLK 063/...	6,350	1/4	9,0	1,60	7,8	6,5
KKLK 079/...	7,938	5/16	12,0	2,00	12,0	8,2
KKLK 080/...	8,000		12,0	2,00	12,0	8,2
KKLK 09C/...	9,000		11,6	2,00	11,5	9,2
KKLK 090/...	9,000		15,0	2,00	11,5	9,2
KKLK 095/...	9,525	3/8	12,6	2,50	12,0	9,7
KKLK 100/...	10,000		13,2	2,50	12,5	10,2
KKLK 110/...	11,000		13,7	2,50	14,0	11,2
KKLK 111/...	11,112	7/16	13,7	2,50	14,0	11,2
KKLK 12C/...	12,000		15,0	2,50	15,0	12,2
KKLK 127/...	12,700	1/2	22,0	3,50	16,0	13,0
KKLK 160/...	16,000		20,0	3,50	20,0	16,2

1) Other dimensions on request

2) D = Diameter of ball pocket