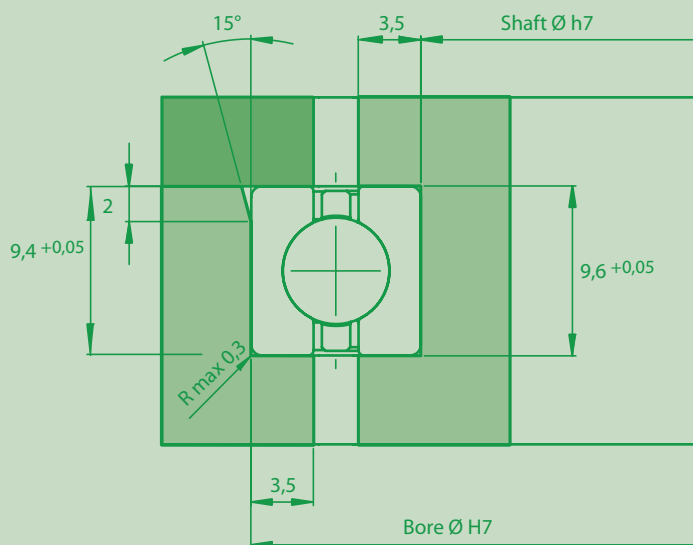
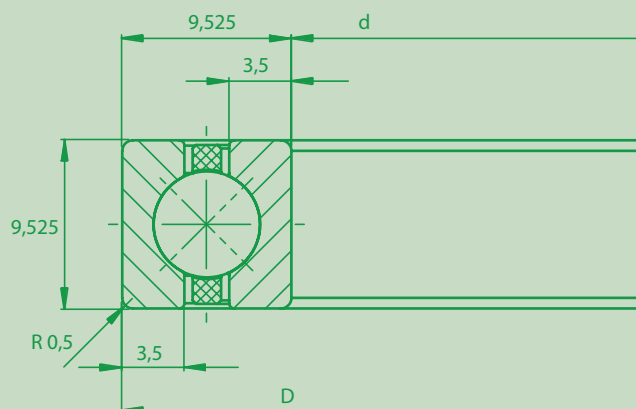


Fitted dimensions

Bearing dimensions

Table of dimensions (Type series PBXC)

KMF-type ¹⁾	Bearing dimension			Basic load ratings				Mass kg	Limiting speeds min ⁻¹
				Axial		Radial			
	d		D	Dyn.	Stat.	Dyn.	Stat.		
	mm	inch	mm	C _a kN	C _{oa} kN	C _r kN	C _{or} kN		
PBXC 040	101,60	4	120,65	9,30	37,0	8,50	14,7	0,18	1500
PBXC 042	107,95	4 ¼	127,00	9,60	39,5	8,70	15,8	0,19	1410
PBXC 045	114,30	4 ½	133,35	9,70	41,0	8,80	16,5	0,20	1340
PBXC 047	120,65	4 ¾	139,70	10,00	44,0	9,00	17,5	0,21	1270
PBXC 050	127,00	5	146,05	10,10	45,5	9,10	18,2	0,22	1200
PBXC 055	139,70	5 ½	158,75	10,60	51,0	9,60	20,3	0,24	1090
PBXC 060	152,40	6	171,45	10,90	55,0	9,80	22,1	0,26	1000
PBXC 065	165,10	6 ½	184,15	11,20	60,0	10,10	23,9	0,28	920
PBXC 070	177,80	7	196,85	11,50	64,0	10,40	25,5	0,30	860
PBXC 075	190,50	7 ½	209,55	11,70	68,0	10,60	27,5	0,32	800
PBXC 080	203,20	8	222,25	12,00	73,0	10,90	29,0	0,34	750
PBXC 085	215,90	8 ½	234,95	12,20	77,0	11,10	31,0	0,36	710
PBXC 090	228,60	9	247,65	12,50	82,0	11,30	32,5	0,38	670
PBXC 095	241,30	9 ½	260,35	12,80	87,0	11,60	35,0	0,39	630
PBXC 100	254,00	10	273,05	13,00	91,0	11,80	36,5	0,41	600
PBXC 105	266,70	10 ½	285,75	13,30	96,0	12,00	38,5	0,43	570
PBXC 110	279,40	11	298,45	13,50	100,0	12,20	40,0	0,45	550
PBXC 115	292,10	11 ½	311,15	13,70	105,0	12,40	42,0	0,47	520

KMF-type ¹⁾	Bearing dimension			Basic load ratings				Mass	Limiting speeds
				Axial		Radial			
	d		D	Dyn.	Stat.	Dyn.	Stat.		n _{G grease}
	mm	inch	mm	C _a	C _{oa}	C _r	C _{or}	kg	
PBXC 120	304,80	12	323,85	13,90	109,0	12,60	43,5	0,49	500
PBXC 130	330,20	13	349,25	14,30	118,0	12,90	47,0	0,53	460
PBXC 140	355,60	14	374,65	14,70	127,0	13,30	51,0	0,56	430
PBXC 150	381,00	15	400,05	15,10	136,0	13,60	54,0	0,60	400
PBXC 160	406,40	16	425,45	15,40	145,0	13,90	58,0	0,64	380
PBXC 170	431,80	17	450,85	15,70	154,0	14,20	62,0	0,68	350
PBXC 180	457,20	18	476,25	16,10	163,0	14,50	65,0	0,72	330
PBXC 190	482,60	19	501,65	16,40	172,0	14,80	69,0	0,76	320
PBXC 200	508,00	20	527,05	16,70	181,0	15,10	72,0	0,79	300
PBXC 210	533,40	21	552,45	17,00	190,0	15,40	76,0	0,83	290
PBXC 220	558,80	22	577,85	17,30	199,0	15,60	79,0	0,87	270
PBXC 230	584,20	23	603,25	17,60	208,0	15,90	83,0	0,91	260
PBXC 240	609,60	24	628,65	17,90	217,0	16,10	87,0	0,95	250
PBXC 250	635,00	25	654,05	18,10	226,0	16,40	90,0	0,98	240
PBXC 260	660,40	26	679,45	18,40	235,0	16,60	94,0	1,02	230
PBXC 270	685,80	27	704,85	18,70	245,0	16,90	98,0	1,06	220
PBXC 280	711,20	28	730,25	18,90	255,0	17,10	101,0	1,10	210
PBXC 290	736,60	29	755,65	19,10	260,0	17,30	105,0	1,14	210
PBXC 300	762,00	30	781,05	19,30	270,0	17,50	108,0	1,18	200
PBXC 310	787,40	31	806,45	19,60	280,0	17,70	112,0	1,22	190
PBXC 320	812,80	32	831,85	19,80	290,0	17,90	116,0	1,26	190
PBXC 330	838,20	33	857,25	20,00	300,0	18,10	119,0	1,30	180
PBXC 340	863,60	34	882,65	20,30	305,0	18,50	123,0	1,34	180

1) Other dimensions on request

Component parts PBXC

- (1) Bearing outer ring
Conformed Raceway
- (2) Bearing inner ring
Conformed Raceway
- (3) Cage strip with balls
Balls held and guided

