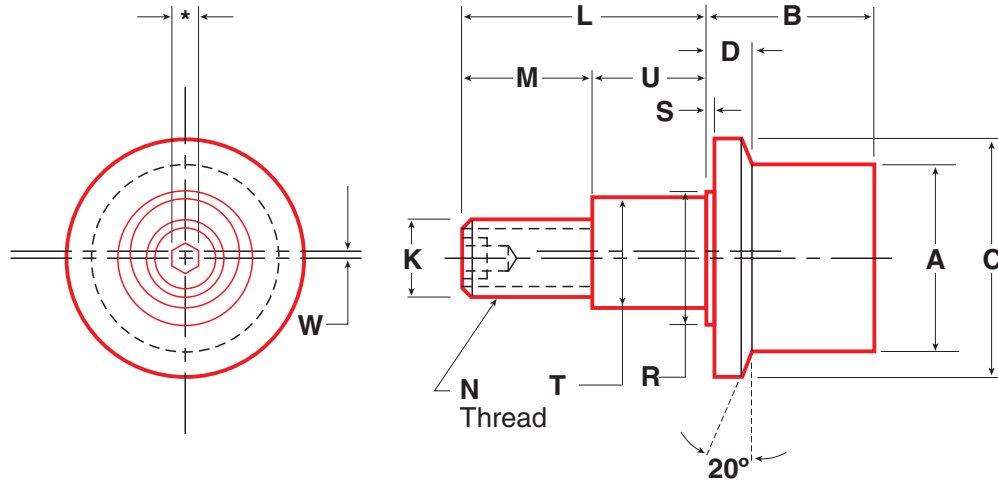


Flanged - Eccentric Stud Style, Inch Sizes



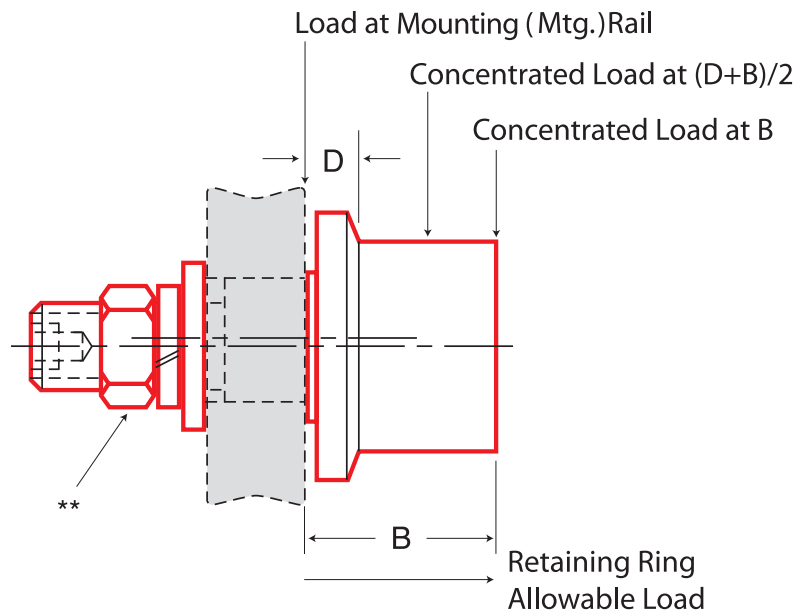
For metric sizes, please turn to page 68

Part No.	Item No.	A	B	C	D	K	L	M	N	R	S	T	U	W
		Roller Dia	Roller Width	Flange Dia	Flange Thickness	Stud Dia	Stud Length	Thread Length	Thread	Shoulder Dia	Shoulder Length	Eccentric Dia	Eccentric Length	
FLRE-1	97330	1.000	0.781	1.375	0.219	0.437	1.000	0.500	7/16-20	0.750	0.031	0.625	0.500	0.030
FLRE-1-1/8	97331	1.125	0.781	1.500	0.219	0.437	1.000	0.500	7/16-20	0.750	0.031	0.625	0.500	0.030
FLRE-1-1/4	97332	1.250	0.844	1.563	0.219	0.500	1.250	0.625	1/2-20	0.812	0.031	0.687	0.625	0.030
FLRE-1-3/8	97333	1.375	0.844	1.688	0.219	0.500	1.250	0.625	1/2-20	0.812	0.031	0.687	0.625	0.030
FLRE-1-1/2	95917	1.500	1.187	2.188	0.343	0.625	1.500	0.770	5/8-18	1.125	0.062	0.875	0.730	0.030
FLRE-1-3/4	95922	1.750	1.187	2.438	0.343	0.750	1.750	0.895	3/4-16	1.240	0.062	1.000	0.855	0.030
FLRE-2	95924	2.000	1.688	2.688	0.593	0.875	2.000	1.020	7/8-14	1.500	0.062	1.187	0.980	0.030
FLRE-2-1/4	95927	2.250	1.688	2.938	0.593	0.875	2.000	1.020	7/8-14	1.500	0.062	1.187	0.980	0.030
FLRE-2-1/2	95928	2.500	1.688	3.188	0.593	1.000	2.250	1.145	1-14	1.687	0.062	1.375	1.105	0.030
FLRE-2-1/2-4	97604	2.500	1.812	3.188	0.593	1.000	2.250	1.145	1-14	1.687	0.062	1.375	1.105	0.030
FLRE-2-3/4	95931	2.750	1.688	3.438	0.593	1.000	2.250	1.145	1-14	1.687	0.062	1.375	1.105	0.030
FLRE-3	95932	3.000	2.000	3.938	0.593	1.250	2.500	1.270	1 1/4-12	2.312	0.062	1.750	1.230	0.060
FLRE-3-1/4	95939	3.250	2.000	4.188	0.593	1.250	2.500	1.270	1 1/4-12	2.312	0.062	1.750	1.230	0.060
FLRE-3-1/2	95940	3.500	2.000	4.438	0.593	1.250	2.750	1.395	1 1/4-12	2.312	0.062	1.812	1.355	0.060
FLRE-4	95941	4.000	2.000	4.938	0.593	1.250	2.750	1.395	1 1/4-12	2.312	0.062	1.812	1.355	0.060
FLRE-4-1/2	95946	4.500	2.000	5.438	0.593	1.250	2.750	1.395	1 1/4-12	2.312	0.062	1.812	1.355	0.060
FLRE-5	95948	5.000	3.000	5.938	0.718	2.000	4.500	2.375	2-12	3.250	0.062	2.625	2.125	0.060
FLRE-6	95949	6.000	3.000	6.938	0.718	2.500	5.500	2.625	2 1/2-12	3.625	0.062	3.125	2.875	0.060

Other sizes available on request.

**Flat washer, lock washer and jam nut available at additional cost. For size, see "N" dimension.

*For stud hex socket size, see page 85.



	Rec. Mtg. Hole Size	Mounting Member Thickness		Ball or Tapered Roller Bearings	Bearing Capacity Radial Load (lbs)			Bearing Capacity, Static Thrust (lbs)	Stud Capacity (lbs)		Retaining Ring Capacity (lbs)	Approx Weight (lbs)	Part No.		
		+0.001 -0.000	Max		Min	3000 hrs L10 life @ 100 RPM	500 hrs L10 life @ 33-1/3 RPM		Static Limit	Bending=0.75 Sy				Shear=0.75 x 0.5 x Sy	
										Concent. Load @ (D+B)/2					Concent. Load @ B
0.627	0.625	0.500	BB	240	630	230	140	350	200	1970	380	0.3	FLRE-1		
0.627	0.625	0.500	BB	240	630	230	140	360	210	1970	380	0.4	FLRE-1-1/8		
0.689	0.750	0.625	BB	520	1350	600	370	710	390	3250	470	0.4	FLRE-1-1/4		
0.689	0.750	0.625	BB	520	1350	600	370	710	390	3250	470	0.5	FLRE-1-3/8		
0.877	0.875	0.750	BB	1050	2760	1100	680	1100	650	5780	470	0.8	FLRE-1-1/2		
1.002	1.000	0.875	BB	1050	2760	1100	680	1130	650	5780	470	1.1	FLRE-1-3/4		
1.189	1.125	1.000	BB	1460	3830	1620	1000	2640	1500	11610	910	2.1	FLRE-2		
1.189	1.125	1.000	BB	1460	3830	1620	1000	2640	1500	11610	910	2.5	FLRE-2-1/4		
1.377	1.250	1.125	BB	1980	5190	2270	1400	2780	1770	14580	1340	3.0	FLRE-2-1/2		
1.377	1.250	1.125	TRB	4570	10880	7630	4570	5340	3650	29920	N/A	3.0	FLRE-2-1/2-4		
1.377	1.250	1.125	BB	1980	5190	2270	1400	2780	1770	14580	1340	3.5	FLRE-2-3/4		
1.752	1.375	1.250	TRB	6000	14270	20000	12000	9980	6370	40500	N/A	5.1	FLRE-3		
1.752	1.375	1.250	TRB	6000	14270	20000	12000	9980	6370	40500	N/A	5.8	FLRE-3-1/4		
1.814	1.500	1.375	TRB	6000	14270	20000	12000	9980	6370	40500	N/A	6.8	FLRE-3-1/2		
1.814	1.500	1.375	TRB	6000	14270	20000	12000	9980	6370	40500	N/A	8.5	FLRE-4		
1.814	1.500	1.375	TRB	6000	14270	20000	12000	9980	6370	40500	N/A	10.5	FLRE-4-1/2		
2.627	2.500	2.250	TRB	13990	33290	51900	32500	28300	17350	103670	N/A	19.5	FLRE-5		
3.127	3.250	3.000	TRB	15060	35840	56400	33100	55320	33910	161990	N/A	32.0	FLRE-6		

LOAD CAPACITIES ARE BASED ON UNIFORM AND STEADY LOADING.