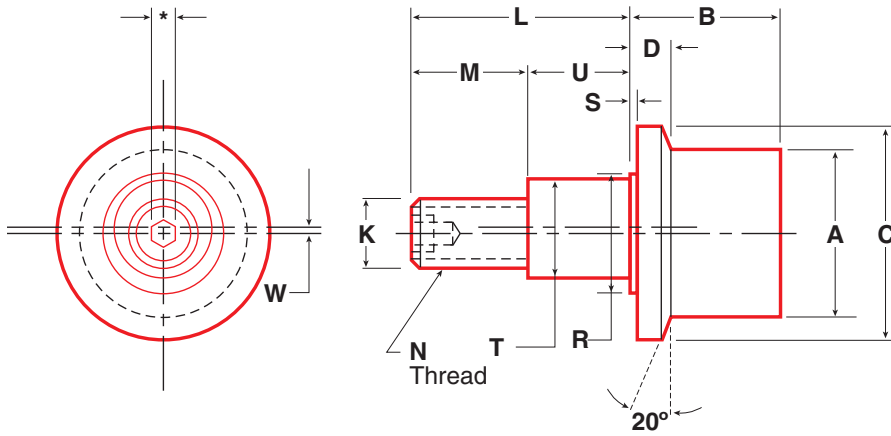
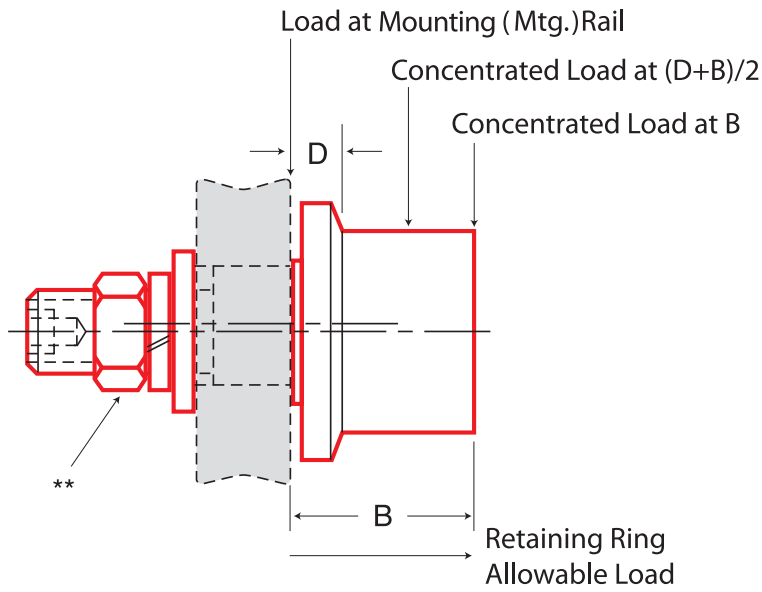


# Flanged - Eccentric Stud Style - Metric Sizes (mm)



Part No.	Item No.	A	B	C	D	K	L	M	N	R	S	T	U	W	Rec. Mtg. Hole Size
		Roller Dia	Roller Width	Flange Dia	Flange Thickness	Stud Dia	Stud Length	Thread Length	Thread	Shldr Dia	Shldr Length	Eccentric Dia	Eccentric Length		
HPJE-26	97386	26	20	35	5	10	23	13	M10×1	17.1	0.8	13	10	0.5	13.02
HPJE-30	97387	30	20	40	5	12	25	14	M12×1.5	17.5	0.8	15	11	0.5	15.02
HPJE-32	97388	32	22	42	5	12	25	14	M12×1.5	17.5	0.8	15	11	0.5	15.02
HPJE-35	97389	35	22	46	5	16	32.5	18	M16×1.5	23.8	0.8	20	14.5	1	20.02
HPJE-40-1	95907	40	27.6	54	7.8	18	36.5	20.5	M18×1.5	28.5	1.6	22	16	1	22.02
HPJE-50	95909	50	40	68	14	16	50	32	M16×2	32	1.6	24	18	1	24.02
HPJE-62-1	95910	62	44	78	14	24	49.5	27.5	M24×1.5	43	1.6	28	22	1	28.02
HPJE-76	95912	76	52	98	14	24	70	41	M24×1.5	50	1.6	35	29	1.5	35.02
HPJE-90	95913	90	52	112	14	24	70	41	M24×1.5	50	1.6	35	29	1.5	35.02
HPJE-100	95914	100	52	125	14	24	70	41	M24×1.5	50	1.6	35	29	1.5	35.02
HPJE-125	95915	125	76	148	18	48	105	55	M48×5	82.5	1.6	64	50	1.5	64.02
HPJE-150	95916	150	76	173	18.3	64	140	75	M64×6	92	1.6	80	65	1.5	80.02

\*\*Flat washer, lock washer and jam nut available at additional cost. For size see "N" dimension.  
Other sizes available upon request.



	Ball or Tapered Roller Bearings	Bearing Radial Load (N)			Bearing Capacity, Static Thrust (N)	Stud Capacity (lbs)			Retaining Ring Capacity (N)	Approx Weight (kg)	Part No.
		3000 hrs L10 life @ 100 RPM	500 hrs L10 life @ 33 1/3 RPM	Static Limit		Bending=0.75 Sy		Shear= 0.75 x 0.5 x Sy			
						Bend @ (D+B)/2	Bend @ B				
	BB	1070	2790	1000	620	1610	890	8780	1700	0.14	<b>HPJE-26</b>
	BB	1070	2790	1000	620	1610	890	8780	1700	0.17	<b>HPJE-30</b>
	BB	2300	6010	2690	1660	3070	1690	14450	2090	0.2	<b>HPJE-32</b>
	BB	2300	6010	2690	1660	3130	1690	14450	2090	0.23	<b>HPJE-35</b>
	BB	4680	12260	4900	3030	5040	3060	25690	2090	0.35	<b>HPJE-40-1</b>
	BB	6490	17020	7210	4450	11980	6930	51600	4050	0.94	<b>HPJE-50</b>
	BB	8810	23080	10090	6230	12340	7650	64850	5960	1.13	<b>HPJE-62-1</b>
	TRB	26670	63480	88960	53380	18840	11820	102740	N/A	2.31	<b>HPJE-76</b>
	TRB	26670	63480	88960	53380	18840	11820	102740	N/A	3.09	<b>HPJE-90</b>
	TRB	26670	63480	88960	53380	18840	11820	102740	N/A	3.79	<b>HPJE-100</b>
	TRB	62210	148070	230860	144570	106160	65120	411830	N/A	4.74	<b>HPJE-125</b>
	TRB	66990	159430	250880	147240	254530	153930	731550	N/A	5.69	<b>HPJE-150</b>

LOAD CAPACITIES ARE BASED ON UNIFORM AND STEADY LOADING.