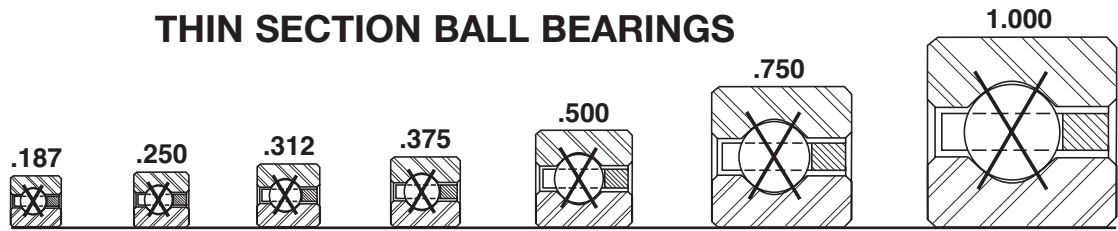




## 4-POINT CONTACT, X-TYPE THIN SECTION BALL BEARINGS



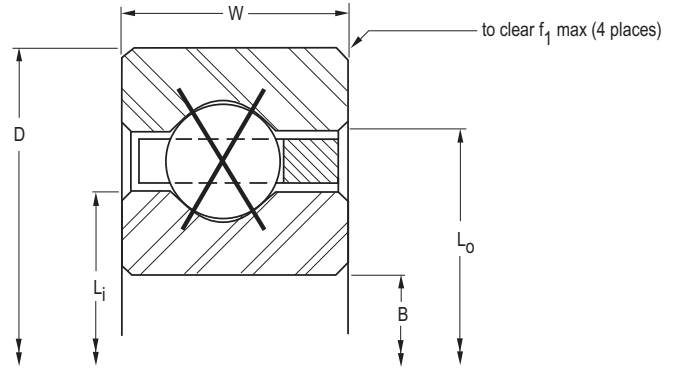
<b>Series:</b>	<b>SAA</b>	<b>SA</b>	<b>SB</b>	<b>SC</b>	<b>SD</b>	<b>SF</b>	<b>SG</b>
<b>Cross Section Size:</b>	<b>3/16"</b>	<b>1/4"</b>	<b>5/16"</b>	<b>3/8"</b>	<b>1/2"</b>	<b>3/4"</b>	<b>1"</b>

PART NUMBER*	NOMINAL DIMENSIONS												
	B Bore		D Outside Diameter		W Width		Land Diameter				f <sub>1</sub> Housing Fillet		Ball Diameter
	in.	mm	in.	mm	in.	mm	L <sub>i</sub> -Inner Ring		L <sub>o</sub> -Outer Ring		in.	mm	in.
SAA10XL0*RBC	1.0000	25.400	1.3750	34.925	0.1875	4.763	1.141	28.98	1.234	31.34	0.015	0.38	3/32
SAA15XL0*RBC	1.5000	38.100	1.8750	47.625	0.1875	4.763	1.641	41.68	1.734	44.04	0.015	0.38	3/32
SAA17XL0*RBC	1.7500	44.450	2.1250	53.975	0.1875	4.763	1.890	48.01	1.985	50.42	0.015	0.38	3/32
SA020XP0*RBC	2.0000	50.800	2.5000	63.500	0.2500	6.350	2.188	55.58	2.313	58.75	0.025	0.64	1/8
SB020XP0*RBC	2.0000	50.800	2.6250	66.675	0.3125	7.938	2.234	56.74	2.391	60.73	0.032	0.81	5/32
SA025XP0*RBC	2.5000	63.500	3.0000	76.200	0.2500	6.350	2.688	68.28	2.813	71.45	0.025	0.64	1/8
SB025XP0*RBC	2.5000	63.500	3.1250	79.375	0.3125	7.938	2.734	69.44	2.891	73.43	0.040	1.02	5/32
SA030XP0*RBC	3.0000	76.200	3.5000	88.900	0.2500	6.350	3.188	80.98	3.313	84.15	0.025	0.64	1/8
SB030XP0*RBC	3.0000	76.200	3.6250	92.075	0.3125	7.938	3.234	82.14	3.391	86.13	0.032	0.81	5/32
SA035XP0*RBC	3.5000	88.900	4.0000	101.600	0.2500	6.350	3.688	93.68	3.813	96.85	0.025	0.64	1/8
SB035XP0*RBC	3.5000	88.900	4.1250	104.775	0.3125	7.938	3.734	94.84	3.891	98.83	0.032	0.81	5/32
SA040XP0*RBC	4.0000	101.600	4.5000	114.300	0.2500	6.350	4.188	106.38	4.313	109.55	0.025	0.64	1/8
SB040XP0*RBC	4.0000	101.600	4.6250	117.475	0.3125	7.938	4.234	107.54	4.391	111.53	0.032	0.81	5/32
SC040XP0*RBC	4.0000	101.600	4.7500	120.650	0.3750	9.525	4.281	108.74	4.469	113.51	0.040	1.02	3/16
SD040XP0*RBC	4.0000	101.600	5.0000	127.000	0.5000	12.700	4.375	111.13	4.625	117.48	0.060	1.52	1/4
SF040XP0*RBC	4.0000	101.600	5.5000	139.700	0.7500	19.050	4.563	115.90	4.938	125.43	0.080	2.03	3/8
SG040XP0*RBC	4.0000	101.600	6.0000	152.400	1.0000	25.400	4.750	120.65	5.250	133.35	0.080	2.03	1/2
SA042XP0*RBC	4.2500	107.950	4.7500	120.650	0.2500	6.350	4.438	112.73	4.563	115.90	0.025	0.64	1/8
SB042XP0*RBC	4.2500	107.950	4.8750	123.825	0.3125	7.938	4.484	113.89	4.641	117.88	0.032	0.81	5/32
SC042XP0*RBC	4.2500	107.950	5.0000	127.000	0.3750	9.525	4.531	115.09	4.719	119.86	0.040	1.02	3/16
SD042XP0*RBC	4.2500	107.950	5.2500	133.350	0.5000	12.700	4.625	117.48	4.875	123.83	0.060	1.52	1/4
SF042XP0*RBC	4.2500	107.950	5.7500	146.050	0.7500	19.050	4.813	122.25	5.188	131.78	0.080	2.03	3/8
SG042XP0*RBC	4.2500	107.950	6.2500	158.750	1.0000	25.400	5.000	127.00	5.500	139.70	0.080	2.03	1/2
SA045XP0*RBC	4.5000	114.300	5.0000	127.000	0.2500	6.350	4.688	119.08	4.813	122.25	0.025	0.64	1/8
SB045XP0*RBC	4.5000	114.300	5.1250	130.175	0.3125	7.938	4.734	120.24	4.891	124.23	0.032	0.81	5/32
SC045XP0*RBC	4.5000	114.300	5.2500	133.350	0.3750	9.525	4.781	121.44	4.969	126.21	0.040	1.02	3/16
SD045XP0*RBC	4.5000	114.300	5.5000	139.700	0.5000	12.700	4.875	123.83	5.125	130.18	0.060	1.52	1/4
SF045XP0*RBC	4.5000	114.300	6.0000	152.400	0.7500	19.050	5.063	128.60	5.438	138.13	0.080	2.03	3/8
SG045XP0*RBC	4.5000	114.300	6.5000	165.100	1.0000	25.400	5.250	133.35	5.750	146.05	0.080	2.03	1/2
SA047XP0*RBC	4.7500	120.650	5.2500	133.350	0.2500	6.350	4.938	125.43	5.063	128.60	0.025	0.64	1/8
SB047XP0*RBC	4.7500	120.650	5.3750	136.525	0.3125	7.938	4.984	126.59	5.141	130.58	0.032	0.81	5/32
SC047XP0*RBC	4.7500	120.650	5.5000	139.700	0.3750	9.525	5.031	127.79	5.219	132.56	0.040	1.02	3/16
SD047XP0*RBC	4.7500	120.650	5.7500	146.050	0.5000	12.700	5.125	130.18	5.375	136.53	0.060	1.52	1/4
SF047XP0*RBC	4.7500	120.650	6.2500	158.750	0.7500	19.050	5.313	134.95	5.688	144.48	0.080	2.03	3/8
SG047XP0*RBC	4.7500	120.650	6.7500	171.450	1.0000	25.400	5.500	139.70	6.000	152.40	0.080	2.03	1/2
SA050XP0*RBC	5.0000	127.000	5.5000	139.700	0.2500	6.350	5.188	131.78	5.313	134.95	0.025	0.64	1/8
SB050XP0*RBC	5.0000	127.000	5.6250	142.875	0.3125	7.938	5.234	132.94	5.391	136.93	0.032	0.81	5/32
SC050XP0*RBC	5.0000	127.000	5.7500	146.050	0.3750	9.525	5.281	134.14	5.469	138.91	0.040	1.02	3/16
SD050XP0*RBC	5.0000	127.000	6.0000	152.400	0.5000	12.700	5.375	136.53	5.625	142.88	0.060	1.52	1/4
SF050XP0*RBC	5.0000	127.000	6.5000	165.100	0.7500	19.050	5.563	141.30	5.938	150.83	0.080	2.03	3/8
SG050XP0*RBC	5.0000	127.000	7.0000	177.800	1.0000	25.400	5.750	146.05	6.250	158.75	0.080	2.03	1/2
SA055XP0*RBC	5.5000	139.700	6.0000	152.400	0.2500	6.350	5.688	144.48	5.813	147.65	0.025	0.64	1/8
SB055XP0*RBC	5.5000	139.700	6.1250	155.575	0.3125	7.938	5.734	145.64	5.891	149.63	0.032	0.81	5/32
SC055XP0*RBC	5.5000	139.700	6.2500	158.750	0.3750	9.525	5.781	146.84	5.969	151.61	0.040	1.02	3/16
SD055XP0*RBC	5.5000	139.700	6.5000	165.100	0.5000	12.700	5.875	149.23	6.125	155.58	0.060	1.52	1/4
SF055XP0*RBC	5.5000	139.700	7.0000	177.800	0.7500	19.050	6.063	154.00	6.438	163.53	0.080	2.03	3/8

\*The alphanumeric identification system is used under license.



- 440C Stainless Steel
- Large Diameter
- Light Weight
- Small Cross Section
- Snap-Over Ball Separator

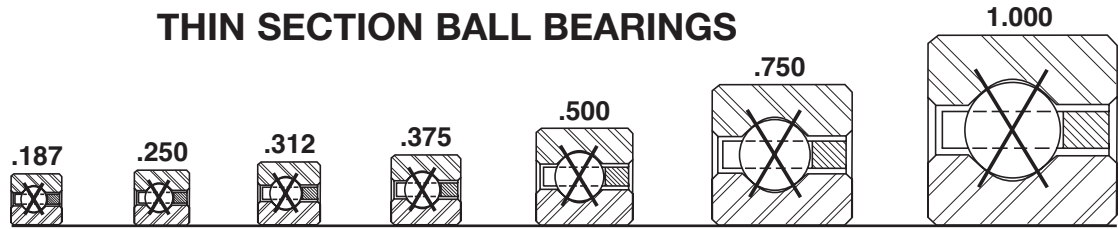


	Ball Quantity	Approx. Weight		LOAD RATINGS										PART NUMBER*		
				Radial		Thrust				Moment						
				Static	Dynamic	Static	Dynamic	Static	Dynamic	Static	Dynamic	Static	Dynamic			
lbs.	kg	lbf	N	lbf	N	lbf	N	lbf	N	lbf - in	Nm	lbf - in	Nm			
	21	0.03	0.014	290	1,290	270	1,200	730	3,250	680	3,020	170	20	160	20	SAA10XL0*RBC
	30	0.04	0.018	400	1,780	310	1,380	1,000	4,450	770	3,430	340	40	260	30	SAA15XL0*RBC
	33	0.06	0.027	460	2,050	322	1,430	1,140	5,070	805	3,580	440	50	328	37	SAA17XL0*RBC
	27	0.10	0.045	680	3,020	514	2,290	1,710	7,610	1,230	5,470	770	90	550	60	SA020XP0*RBC
	23	0.16	0.073	930	4,140	758	3,370	2,340	10,410	1,740	7,740	1,080	120	800	90	SB020XP0*RBC
	33	0.13	0.059	830	3,690	583	2,590	2,090	9,300	1,320	5,870	1,150	130	730	80	SA025XP0*RBC
	28	0.20	0.091	1,140	5,070	848	3,770	2,840	12,630	1,880	8,360	1,600	180	1,060	120	SB025XP0*RBC
	39	0.15	0.068	990	4,400	643	2,860	2,470	10,990	1,410	6,270	1,600	180	920	100	SA030XP0*RBC
	33	0.24	0.109	1,340	5,960	933	4,150	3,350	14,900	1,990	8,850	2,220	250	1,320	150	SB030XP0*RBC
	45	0.18	0.082	1,140	5,070	701	3,120	2,850	12,680	1,480	6,580	2,130	240	1,110	130	SA035XP0*RBC
	38	0.27	0.122	1,540	6,850	1,014	4,510	3,860	17,170	2,100	9,340	2,940	330	1,600	180	SB035XP0*RBC
	51	0.19	0.086	1,290	5,740	756	3,360	3,220	14,320	1,550	6,890	2,740	310	1,320	150	SA040XP0*RBC
	43	0.30	0.136	1,750	7,780	1,091	4,850	4,370	19,440	2,210	9,830	3,770	430	1,900	210	SB040XP0*RBC
	35	0.45	0.204	2,100	9,340	1,417	6,300	5,260	23,400	2,810	12,500	4,600	520	2,460	280	SC040XP0*RBC
	27	0.78	0.354	3,080	13,700	2,311	10,280	7,700	34,250	4,890	21,750	6,930	780	4,400	500	SD040XP0*RBC
	19	1.90	0.862	5,360	23,840	4,665	20,750	13,400	59,610	8,830	39,280	12,730	1,440	8,390	950	SF040XP0*RBC
	15	3.60	1.633	8,210	36,520	7,979	35,490	20,520	91,280	15,150	67,390	20,520	2,320	15,150	1,710	SG040XP0*RBC
	54	0.20	0.091	1,370	6,090	783	3,480	3,410	15,170	1,590	7,070	3,070	350	1,430	160	SA042XP0*RBC
	45	0.31	0.141	1,830	8,140	1,120	4,980	4,570	20,330	2,230	9,920	4,170	470	2,040	230	SB042XP0*RBC
	37	0.47	0.213	2,220	9,880	1,464	6,510	5,560	24,730	2,870	12,770	5,140	580	2,650	300	SC042XP0*RBC
	28	0.83	0.376	3,190	14,190	2,355	10,480	7,980	35,500	4,920	21,890	7,580	860	4,670	530	SD042XP0*RBC
	20	2.00	0.907	5,640	25,090	4,795	21,330	14,110	62,760	8,990	39,990	14,110	1,590	8,993	1,020	SF042XP0*RBC
	15	3.80	1.724	8,210	36,520	7,917	35,220	20,520	91,280	15,150	67,390	21,550	2,430	15,910	1,800	SG042XP0*RBC
	57	0.22	0.100	1,440	6,410	809	3,600	3,600	16,010	1,610	7,160	3,420	390	1,530	170	SA045XP0*RBC
	48	0.33	0.150	1,950	8,670	1,165	5,180	4,880	21,710	2,300	10,230	4,690	530	2,220	250	SB045XP0*RBC
	39	0.48	0.218	2,340	10,410	1,510	6,720	5,860	26,070	2,920	12,990	5,710	650	2,850	320	SC045XP0*RBC
	30	0.88	0.399	3,420	15,210	2,454	10,920	8,550	38,030	5,080	22,600	8,550	970	5,080	570	SD045XP0*RBC
	21	2.10	0.953	5,930	26,380	4,923	21,900	14,810	65,880	9,180	40,830	15,550	1,760	9,695	1,100	SF045XP0*RBC
	16	4.00	1.814	8,760	38,970	8,205	36,500	21,890	97,370	15,820	70,370	24,080	2,720	17,400	1,970	SG045XP0*RBC
	60	0.23	0.104	1,520	6,760	834	3,710	3,790	16,860	1,650	7,340	3,790	430	1,650	190	SA047XP0*RBC
	50	0.34	0.154	2,030	9,030	1,193	5,310	5,080	22,600	2,310	10,280	5,140	580	2,340	260	SB047XP0*RBC
	41	0.50	0.227	2,460	10,940	1,556	6,920	6,160	27,400	2,970	13,210	6,320	710	3,040	340	SC047XP0*RBC
	31	0.94	0.426	3,530	15,700	2,496	11,100	8,840	39,320	5,130	22,820	9,280	1,050	5,380	610	SD047XP0*RBC
	22	2.20	0.998	6,210	27,620	5,048	22,450	15,520	69,040	9,380	41,720	17,070	1,930	10,416	1,180	SF047XP0*RBC
	17	4.10	1.860	9,300	41,370	8,487	37,750	23,260	103,470	16,470	73,260	26,740	3,020	18,940	2,140	SG047XP0*RBC
	63	0.24	0.109	1,590	7,070	859	3,820	3,980	17,700	1,680	7,470	4,180	470	1,760	200	SA050XP0*RBC
	53	0.38	0.172	2,150	9,560	1,236	5,500	5,380	23,930	2,380	10,590	5,720	650	2,520	280	SB050XP0*RBC
	43	0.58	0.263	2,590	11,520	1,600	7,120	6,460	28,740	3,040	13,520	6,950	790	3,270	370	SC050XP0*RBC
	33	1.00	0.454	3,760	16,730	2,592	11,530	9,410	41,860	5,270	23,440	10,350	1,170	5,800	660	SD050XP0*RBC
	23	2.30	1.043	6,490	28,870	5,172	23,010	16,220	72,150	9,520	42,350	18,660	2,110	11,157	1,260	SF050XP0*RBC
	18	4.30	1.950	9,850	43,810	8,762	38,980	24,620	109,520	17,110	76,110	29,550	3,340	20,530	2,320	SG050XP0*RBC
	69	0.25	0.113	1,750	7,780	908	4,040	4,360	19,390	1,720	7,650	5,020	570	1,970	220	SA055XP0*RBC
	58	0.41	0.186	2,360	10,500	1,304	5,800	5,890	26,200	2,460	10,940	6,850	770	2,860	320	SB055XP0*RBC
	47	0.59	0.268	2,830	12,590	1,687	7,500	7,060	31,400	3,120	13,880	8,300	940	3,717	420	SC055XP0*RBC
	36	1.06	0.481	4,100	18,240	2,725	12,120	10,260	45,640	5,450	24,240	12,310	1,390	6,540	740	SD055XP0*RBC
	25	2.50	1.134	7,050	31,360	5,415	24,090	17,630	78,420	9,820	43,680	22,040	2,490	12,696	1,430	SF055XP0*RBC

S-SERIES



## 4-POINT CONTACT, X-TYPE THIN SECTION BALL BEARINGS



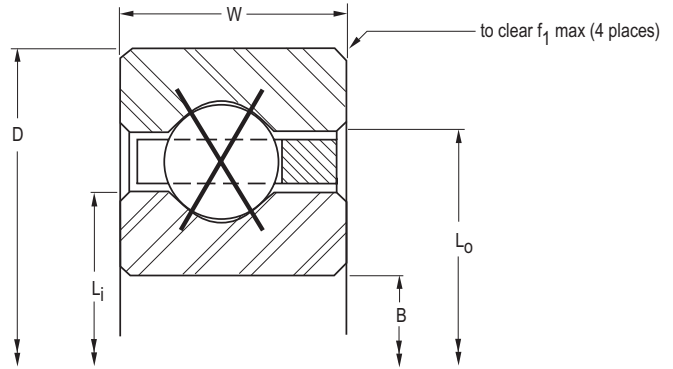
Series: **SAA**    **SA**    **SB**    **SC**    **SD**    **SF**    **SG**  
 Cross Section Size: **3/16"**    **1/4"**    **5/16"**    **3/8"**    **1/2"**    **3/4"**    **1"**

PART NUMBER*	NOMINAL DIMENSIONS												
	B Bore		D Outside Diameter		W Width		Land Diameter				f <sub>1</sub> Housing Fillet		Ball Diameter
	in.	mm	in.	mm	in.	mm	L <sub>i</sub> -Inner Ring		L <sub>o</sub> -Outer Ring		in.	mm	in.
SG055XP0*RBC	5.5000	139.700	7.5000	190.500	1.0000	25.400	6.250	158.75	6.750	171.45	0.080	2.03	1/2
SA060XP0*RBC	6.0000	152.400	6.5000	165.100	0.2500	6.350	6.188	157.18	6.313	160.35	0.025	0.64	1/8
SB060XP0*RBC	6.0000	152.400	6.6250	168.275	0.3125	7.938	6.234	158.34	6.391	162.33	0.032	0.81	5/32
SC060XP0*RBC	6.0000	152.400	6.7500	171.450	0.3750	9.525	6.281	159.54	6.469	164.31	0.040	1.02	3/16
SD060XP0*RBC	6.0000	152.400	7.0000	177.800	0.5000	12.700	6.375	161.93	6.625	168.28	0.060	1.52	1/4
SF060XP0*RBC	6.0000	152.400	7.5000	190.500	0.7500	19.050	6.563	166.70	6.938	176.23	0.080	2.03	3/8
SG060XP0*RBC	6.0000	152.400	8.0000	203.200	1.0000	25.400	6.750	171.45	7.250	184.15	0.080	2.03	1/2
SA065XP0*RBC	6.5000	165.100	7.0000	177.800	0.2500	6.350	6.688	169.88	6.813	173.05	0.025	0.64	1/8
SB065XP0*RBC	6.5000	165.100	7.1250	180.975	0.3125	7.938	6.734	171.04	6.891	175.03	0.032	0.81	5/32
SC065XP0*RBC	6.5000	165.100	7.2500	184.150	0.3750	9.525	6.781	172.24	6.969	177.01	0.040	1.02	3/16
SD065XP0*RBC	6.5000	165.100	7.5000	190.500	0.5000	12.700	6.875	174.63	7.125	180.98	0.060	1.52	1/4
SF065XP0*RBC	6.5000	165.100	8.0000	203.200	0.7500	19.050	7.063	179.40	7.438	188.93	0.080	2.03	3/8
SG065XP0*RBC	6.5000	165.100	8.5000	215.900	1.0000	25.400	7.250	184.15	7.750	196.85	0.080	2.03	1/2
SA070XP0*RBC	7.0000	177.800	7.5000	190.500	0.2500	6.350	7.188	182.58	7.313	185.75	0.025	0.64	1/8
SB070XP0*RBC	7.0000	177.800	7.6250	193.675	0.3125	7.938	7.234	183.74	7.391	187.73	0.032	0.81	5/32
SC070XP0*RBC	7.0000	177.800	7.7500	196.850	0.3750	9.525	7.281	184.94	7.469	189.71	0.040	1.02	3/16
SD070XP0*RBC	7.0000	177.800	8.0000	203.200	0.5000	12.700	7.375	187.33	7.625	193.68	0.060	1.52	1/4
SF070XP0*RBC	7.0000	177.800	8.5000	215.900	0.7500	19.050	7.563	192.10	7.938	201.63	0.080	2.03	3/8
SG070XP0*RBC	7.0000	177.800	9.0000	228.600	1.0000	25.400	7.750	196.85	8.250	209.55	0.080	2.03	1/2
SA075XP0*RBC	7.5000	190.500	8.0000	203.200	0.2500	6.350	7.688	195.28	7.813	198.45	0.025	0.64	1/8
SB075XP0*RBC	7.5000	190.500	8.1250	206.375	0.3125	7.938	7.734	196.44	7.891	200.43	0.032	0.81	5/32
SC075XP0*RBC	7.5000	190.500	8.2500	209.550	0.3750	9.525	7.781	197.64	7.969	202.41	0.040	1.02	3/16
SD075XP0*RBC	7.5000	190.500	8.5000	215.900	0.5000	12.700	7.875	200.03	8.125	206.38	0.060	1.52	1/4
SF075XP0*RBC	7.5000	190.500	9.0000	228.600	0.7500	19.050	8.063	204.80	8.438	214.33	0.080	2.03	3/8
SG075XP0*RBC	7.5000	190.500	9.5000	241.300	1.0000	25.400	8.250	209.55	8.750	222.25	0.080	2.03	1/2
SA080XP0*RBC	8.0000	203.200	8.5000	215.900	0.2500	6.350	8.188	207.98	8.313	211.15	0.025	0.64	1/8
SB080XP0*RBC	8.0000	203.200	8.6250	219.075	0.3125	7.938	8.234	209.14	8.391	213.13	0.032	0.81	5/32
SC080XP0*RBC	8.0000	203.200	8.7500	222.250	0.3750	9.525	8.281	210.34	8.469	215.11	0.040	1.02	3/16
SD080XP0*RBC	8.0000	203.200	9.0000	228.600	0.5000	12.700	8.375	212.73	8.625	219.08	0.060	1.52	1/4
SF080XP0*RBC	8.0000	203.200	9.5000	241.300	0.7500	19.050	8.563	217.50	8.938	227.03	0.080	2.03	3/8
SG080XP0*RBC	8.0000	203.200	10.0000	254.000	1.0000	25.400	8.750	222.25	9.250	234.95	0.080	2.03	1/2
SA090XP0*RBC	9.0000	228.600	9.5000	241.300	0.2500	6.350	9.188	233.38	9.313	236.55	0.025	0.64	1/8
SB090XP0*RBC	9.0000	228.600	9.6250	244.475	0.3125	7.938	9.234	234.54	9.391	238.53	0.032	0.81	5/32
SC090XP0*RBC	9.0000	228.600	9.7500	247.650	0.3750	9.525	9.281	235.74	9.469	240.51	0.040	1.02	3/16
SD090XP0*RBC	9.0000	228.600	10.0000	254.000	0.5000	12.700	9.375	238.13	9.625	244.48	0.060	1.52	1/4
SF090XP0*RBC	9.0000	228.600	10.5000	266.700	0.7500	19.050	9.563	242.90	9.938	252.43	0.080	2.03	3/8
SG090XP0*RBC	9.0000	228.600	11.0000	279.400	1.0000	25.400	9.750	247.65	10.250	260.35	0.080	2.03	1/2
SA100XP0*RBC	10.0000	254.000	10.5000	266.700	0.2500	6.350	10.188	258.78	10.313	261.95	0.025	0.64	1/8
SB100XP0*RBC	10.0000	254.000	10.6250	269.875	0.3125	7.938	10.234	259.94	10.391	263.93	0.032	0.81	5/32
SC100XP0*RBC	10.0000	254.000	10.7500	273.050	0.3750	9.525	10.281	261.14	10.469	265.91	0.040	1.02	3/16
SD100XP0*RBC	10.0000	254.000	11.0000	279.400	0.5000	12.700	10.375	263.53	10.625	269.88	0.060	1.52	1/4
SF100XP0*RBC	10.0000	254.000	11.5000	292.100	0.7500	19.050	10.563	268.30	10.938	277.83	0.080	2.03	3/8
SG100XP0*RBC	10.0000	254.000	12.0000	304.800	1.0000	25.400	10.750	273.05	11.250	285.75	0.080	2.03	1/2

\*The alphanumeric identification system is used under license.



- 440C Stainless Steel
- Large Diameter
- Light Weight
- Small Cross Section
- Snap-Over Ball Separator

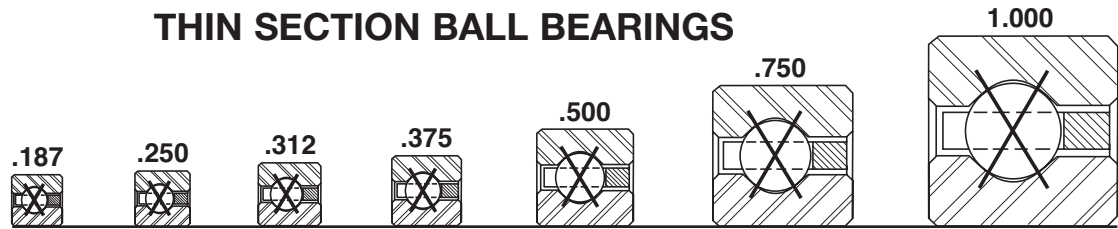


	Ball Quantity	Approx. Weight		LOAD RATINGS												PART NUMBER*
				Radial				Thrust				Moment				
				Static		Dynamic		Static		Dynamic		Static		Dynamic		
lbs.	kg	lbf	N	lbf	N	lbf	N	lbf	N	lbf - in	Nm	lbf - in	Nm			
	19	4.70	2.132	10,400	46,260	8,979	39,940	25,990	115,610	17,460	77,670	33,790	3,820	22,700	2,560	SG055XP0*RBC
	75	0.28	0.127	1,900	8,450	955	4,250	4,740	21,080	1,780	7,920	5,930	670	2,240	250	SA060XP0*RBC
	63	0.44	0.200	2,560	11,390	1,371	6,100	6,400	28,470	2,540	11,300	8,080	910	3,247	370	SB060XP0*RBC
	51	0.63	0.286	3,070	13,660	1,770	7,870	7,660	34,070	3,220	14,320	9,770	1,100	4,234	480	SC060XP0*RBC
	39	1.16	0.526	4,450	19,790	2,855	12,700	11,120	49,460	5,610	24,950	14,450	1,630	7,290	820	SD060XP0*RBC
	27	2.70	1.225	7,620	33,900	5,651	25,140	19,050	84,740	10,150	45,150	25,710	2,900	14,311	1,620	SF060XP0*RBC
	21	5.10	2.313	11,490	51,110	9,503	42,270	28,730	127,800	18,290	81,360	40,220	4,540	25,610	2,890	SG060XP0*RBC
	81	0.30	0.136	2,050	9,120	1,001	4,450	5,120	22,770	1,840	8,180	6,910	780	2,535	290	SA065XP0*RBC
	68	0.47	0.213	2,760	12,280	1,435	6,380	6,910	30,740	2,590	11,520	9,410	1,060	3,668	410	SB065XP0*RBC
	55	0.68	0.308	3,310	14,720	1,851	8,230	8,270	36,790	3,300	14,680	11,370	1,280	4,775	540	SC065XP0*RBC
	42	1.22	0.553	4,790	21,310	2,980	13,260	11,970	53,250	5,740	25,530	16,760	1,890	8,040	910	SD065XP0*RBC
	29	2.90	1.315	8,180	36,390	5,880	26,160	20,460	91,010	10,380	46,170	29,660	3,350	15,993	1,810	SF065XP0*RBC
	22	5.40	2.449	12,040	53,560	9,713	43,210	30,100	133,890	18,520	82,380	45,140	5,100	27,770	3,140	SG065XP0*RBC
	87	0.31	0.141	2,200	9,790	1,046	4,650	5,500	24,470	1,850	8,230	7,980	900	2,844	320	SA070XP0*RBC
	73	0.50	0.227	2,970	13,210	1,498	6,660	7,420	33,010	2,660	11,830	10,850	1,230	4,109	460	SB070XP0*RBC
	59	0.73	0.331	3,550	15,790	1,931	8,590	8,870	39,460	3,420	15,210	13,080	1,480	5,341	600	SC070XP0*RBC
	45	1.31	0.594	5,130	22,820	3,103	13,800	12,830	57,070	5,880	26,160	19,240	2,170	8,810	1,000	SD070XP0*RBC
	31	3.20	1.451	8,750	38,920	6,103	27,150	21,870	97,280	10,640	47,330	33,890	3,830	17,744	2,000	SF070XP0*RBC
	24	5.80	2.631	13,130	58,410	10,208	45,410	32,830	146,040	19,330	85,980	52,530	5,940	30,930	3,490	SG070XP0*RBC
	93	0.34	0.154	2,350	10,450	1,089	4,840	5,880	26,160	1,890	8,410	9,120	1,030	3,165	360	SA075XP0*RBC
	78	0.53	0.240	3,170	14,100	1,559	6,930	7,920	35,230	2,730	12,140	12,380	1,400	4,568	520	SB075XP0*RBC
	63	0.78	0.354	3,790	16,860	2,007	8,930	9,470	42,120	3,480	15,480	14,910	1,680	5,930	670	SC075XP0*RBC
	48	1.41	0.640	5,470	24,330	3,222	14,330	13,680	60,850	6,060	26,960	21,890	2,470	9,700	1,100	SD075XP0*RBC
	33	3.40	1.542	9,310	41,410	6,323	28,130	23,280	103,550	10,930	48,620	38,410	4,340	19,568	2,210	SF075XP0*RBC
	25	6.10	2.767	13,680	60,850	10,410	46,310	34,200	152,130	19,460	86,560	58,140	6,570	33,196	3,750	SG075XP0*RBC
	99	0.38	0.172	2,500	11,120	1,131	5,030	6,260	27,850	1,970	8,760	10,330	1,170	3,499	400	SA080XP0*RBC
	83	0.57	0.259	3,370	14,990	1,618	7,200	8,430	37,500	2,790	12,410	14,020	1,580	5,045	570	SB080XP0*RBC
	67	0.84	0.381	4,030	17,930	2,082	9,260	10,070	44,790	3,560	15,840	16,870	1,910	6,542	740	SC080XP0*RBC
	51	1.53	0.694	5,810	25,840	3,338	14,850	14,540	64,680	6,170	27,450	24,710	2,790	10,643	1,200	SD080XP0*RBC
	35	3.50	1.588	9,880	43,950	6,535	29,070	24,690	109,830	11,190	49,780	43,200	4,880	21,453	2,420	SF080XP0*RBC
	27	6.50	2.948	14,770	65,700	10,882	48,410	36,940	164,320	20,230	89,990	66,480	7,510	36,743	4,150	SG080XP0*RBC
	111	0.44	0.200	2,810	12,500	1,212	5,390	7,020	31,230	2,040	9,070	12,990	1,470	4,204	470	SA090XP0*RBC
	93	0.66	0.299	3,780	16,810	1,732	7,700	9,450	42,040	2,890	12,860	17,600	1,990	6,050	680	SB090XP0*RBC
	75	0.94	0.426	4,510	20,060	2,226	9,900	11,270	50,130	3,690	16,410	21,130	2,390	7,830	880	SC090XP0*RBC
	57	1.72	0.780	6,500	28,910	3,561	15,840	16,250	72,280	6,410	28,510	30,870	3,490	12,693	1,430	SD090XP0*RBC
	39	3.90	1.769	11,000	48,930	6,947	30,900	27,510	122,370	11,630	51,730	53,640	6,060	25,410	2,870	SF090XP0*RBC
	30	7.20	3.266	16,420	73,040	11,526	51,270	41,040	182,560	21,020	93,500	82,080	9,270	43,240	4,890	SG090XP0*RBC
	123	0.50	0.227	3,110	13,830	1,289	5,730	7,780	34,610	2,180	9,700	15,940	1,800	4,956	560	SA100XP0*RBC
	103	0.73	0.331	4,190	18,640	1,841	8,190	10,460	46,530	3,080	13,700	21,580	2,440	7,121	800	SB100XP0*RBC
	83	1.06	0.481	4,990	22,200	2,364	10,520	12,470	55,470	3,930	17,480	25,880	2,920	9,201	1,040	SC100XP0*RBC
	63	1.88	0.853	7,180	31,940	3,776	16,800	17,960	79,890	6,680	29,710	37,710	4,260	14,872	1,680	SD100XP0*RBC
	43	4.30	1.950	12,130	53,960	7,342	32,660	30,330	134,910	12,100	53,820	65,210	7,370	29,608	3,350	SF100XP0*RBC
	33	7.90	3.583	18,060	80,330	12,147	54,030	45,140	200,790	21,790	96,930	99,320	11,220	50,124	5,660	SG100XP0*RBC

Refer to the Engineering section for load and speed limitations.



## 4-POINT CONTACT, X-TYPE THIN SECTION BALL BEARINGS



Series: **SAA**    **SA**    **SB**    **SC**    **SD**    **SF**    **SG**

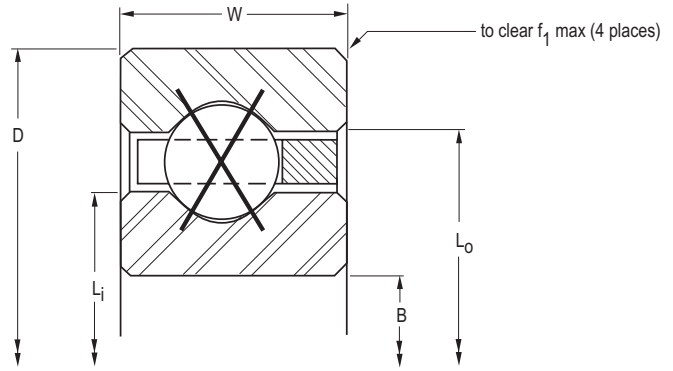
Cross Section Size: **3/16"**    **1/4"**    **5/16"**    **3/8"**    **1/2"**    **3/4"**    **1"**

PART NUMBER*	NOMINAL DIMENSIONS												
	B Bore		D Outside Diameter		W Width		Land Diameter				f <sub>1</sub> Housing Fillet		Ball Diameter
	in.	mm	in.	mm	in.	mm	L <sub>i</sub> -Inner Ring		L <sub>o</sub> -Outer Ring		in.	mm	in.
SA110XP0*RBC	11.0000	279.400	11.5000	292.100	0.2500	6.350	11.188	284.18	11.313	287.35	0.025	0.64	1/8
SB110XP0*RBC	11.0000	279.400	11.6250	295.275	0.3125	7.938	11.234	285.34	11.391	289.33	0.032	0.81	5/32
SC110XP0*RBC	11.0000	279.400	11.7500	298.450	0.3750	9.525	11.281	286.54	11.469	291.31	0.040	1.02	3/16
SD110XP0*RBC	11.0000	279.400	12.0000	304.800	0.5000	12.700	11.375	288.93	11.625	295.28	0.060	1.52	1/4
SF110XP0*RBC	11.0000	279.400	12.5000	317.500	0.7500	19.050	11.563	293.70	11.938	303.23	0.080	2.03	3/8
SG110XP0*RBC	11.0000	279.400	13.0000	330.200	1.0000	25.400	11.750	298.45	12.250	311.15	0.080	2.03	1/2
SA120XP0*RBC	12.0000	304.800	12.5000	317.500	0.2500	6.350	12.188	309.58	12.313	312.75	0.025	0.64	1/8
SB120XP0*RBC	12.0000	304.800	12.6250	320.675	0.3125	7.938	12.234	310.74	12.391	314.73	0.032	0.81	5/32
SC120XP0*RBC	12.0000	304.800	12.7500	323.850	0.3750	9.525	12.281	311.94	12.469	316.71	0.040	1.02	3/16
SD120XP0*RBC	12.0000	304.800	13.0000	330.200	0.5000	12.700	12.375	314.33	12.625	320.68	0.060	1.52	1/4
SF120XP0*RBC	12.0000	304.800	13.5000	342.900	0.7500	19.050	12.563	319.10	12.938	328.63	0.080	2.03	3/8
SG120XP0*RBC	12.0000	304.800	14.0000	355.600	1.0000	25.400	12.750	323.85	13.250	336.55	0.080	2.03	1/2
SB140XP0*RBC	14.0000	355.600	14.6250	371.475	0.3125	7.938	14.234	361.54	14.391	365.53	0.032	0.81	5/32
SC140XP0*RBC	14.0000	355.600	14.7500	374.650	0.3750	9.525	14.281	362.74	14.469	367.51	0.040	1.02	3/16
SD140XP0*RBC	14.0000	355.600	15.0000	381.000	0.5000	12.700	14.375	365.13	14.625	371.48	0.060	1.52	1/4
SF140XP0*RBC	14.0000	355.600	15.5000	393.700	0.7500	19.050	14.563	369.90	14.938	379.43	0.080	2.03	3/8
SG140XP0*RBC	14.0000	355.600	16.0000	406.400	1.0000	25.400	14.750	374.65	15.250	387.35	0.080	2.03	1/2
SB160XP0*RBC	16.0000	406.400	16.6250	422.275	0.3125	7.938	16.234	412.34	16.391	416.33	0.032	0.81	5/32
SC160XP0*RBC	16.0000	406.400	16.7500	425.450	0.3750	9.525	16.281	413.54	16.469	418.31	0.040	1.02	3/16
SD160XP0*RBC	16.0000	406.400	17.0000	431.800	0.5000	12.700	16.375	415.93	16.625	422.28	0.060	1.52	1/4
SF160XP0*RBC	16.0000	406.400	17.5000	444.500	0.7500	19.050	16.563	420.70	16.938	430.23	0.080	2.03	3/8
SG160XP0*RBC	16.0000	406.400	18.0000	457.200	1.0000	25.400	16.750	425.45	17.250	438.15	0.080	2.03	1/2
SB180XP0*RBC	18.0000	457.200	18.6250	473.075	0.3125	7.938	18.234	463.14	18.391	467.13	0.032	0.81	5/32
SC180XP0*RBC	18.0000	457.200	18.7500	476.250	0.3750	9.525	18.281	464.34	18.469	469.11	0.040	1.02	3/16
SD180XP0*RBC	18.0000	457.200	19.0000	482.600	0.5000	12.700	18.375	466.73	18.625	473.08	0.060	1.52	1/4
SF180XP0*RBC	18.0000	457.200	19.5000	495.300	0.7500	19.050	18.563	471.50	18.938	481.03	0.080	2.03	3/8
SG180XP0*RBC	18.0000	457.200	20.0000	508.000	1.0000	25.400	18.750	476.25	19.250	488.95	0.080	2.03	1/2
SB200XP0*RBC	20.0000	508.000	20.6250	523.875	0.3125	7.938	20.234	513.94	20.391	517.93	0.032	0.81	5/32
SC200XP0*RBC	20.0000	508.000	20.7500	527.050	0.3750	9.525	20.281	515.14	20.469	519.91	0.040	1.02	3/16
SD200XP0*RBC	20.0000	508.000	21.0000	533.400	0.5000	12.700	20.375	517.53	20.625	523.88	0.060	1.52	1/4
SF200XP0*RBC	20.0000	508.000	21.5000	546.100	0.7500	19.050	20.563	522.30	20.938	531.83	0.080	2.03	3/8
SG200XP0*RBC	20.0000	508.000	22.0000	558.800	1.0000	25.400	20.750	527.05	21.250	539.75	0.080	2.03	1/2
SC250XP0*RBC	25.0000	635.000	25.7500	654.050	0.3750	9.525	25.281	642.14	25.469	646.91	0.040	1.02	3/16
SD250XP0*RBC	25.0000	635.000	26.0000	660.400	0.5000	12.700	25.375	644.53	25.625	650.88	0.060	1.52	1/4
SF250XP0*RBC	25.0000	635.000	26.5000	673.100	0.7500	19.050	25.563	649.30	25.938	658.83	0.080	2.03	3/8
SG250XP0*RBC	25.0000	635.000	27.0000	685.800	1.0000	25.400	25.750	654.05	26.250	666.75	0.080	2.03	1/2
SC300XP0*RBC	30.0000	762.000	30.7500	781.050	0.3750	9.525	30.281	769.14	30.469	773.91	0.040	1.02	3/16
SD300XP0*RBC	30.0000	762.000	31.0000	787.400	0.5000	12.700	30.375	771.53	30.625	777.88	0.060	1.52	1/4
SF300XP0*RBC	30.0000	762.000	31.5000	800.100	0.7500	19.050	30.563	776.30	30.938	785.83	0.080	2.03	3/8
SG300XP0*RBC	30.0000	762.000	32.0000	812.800	1.0000	25.400	30.750	781.05	31.250	793.75	0.080	2.03	1/2
SF350XP0*RBC	35.0000	889.000	36.5000	927.100	0.7500	19.050	35.563	903.30	35.938	912.83	0.080	2.03	3/8
SG350XP0*RBC	35.0000	889.000	37.0000	939.800	1.0000	25.400	35.750	908.05	36.250	920.75	0.080	2.03	1/2
SF400XP0*RBC	40.0000	1016.000	41.5000	1054.100	0.7500	19.050	40.563	1030.30	40.938	1039.83	0.080	2.03	3/8
SG400XP0*RBC	40.0000	1016.000	42.0000	1066.800	1.0000	25.400	40.750	1035.05	41.250	1047.75	0.080	2.03	1/2

\*The alphanumeric identification system is used under license.



- 440C Stainless Steel
- Large Diameter
- Light Weight
- Small Cross Section
- Snap-Over Ball Separator



	Ball Quantity	Approx. Weight		LOAD RATINGS										PART NUMBER*		
				Radial				Thrust				Moment				
				Static		Dynamic		Static		Dynamic		Static			Dynamic	
lbs.	kg	lbf	N	lbf	N	lbf	N	lbf	N	lbf - in	Nm	lbf - in	Nm			
	135	0.52	0.236	3,410	15,170	1,362	6,060	8,540	37,990	2,320	10,320	19,210	2,170	5,750	650	SA110XP0*RBC
	113	0.75	0.340	4,590	20,420	1,945	8,650	11,480	51,070	3,280	14,590	25,970	2,930	8,254	930	SB110XP0*RBC
	91	1.16	0.526	5,470	24,330	2,496	11,100	13,680	60,850	4,180	18,590	31,110	3,510	10,651	1,200	SC110XP0*RBC
	69	2.06	0.934	7,870	35,010	3,981	17,710	19,670	87,500	6,830	30,380	45,230	5,110	17,173	1,940	SD110XP0*RBC
	47	4.80	2.177	13,260	58,980	7,721	34,340	33,150	147,460	12,490	55,560	77,910	8,800	34,032	3,850	SF110XP0*RBC
	36	8.60	3.901	19,700	87,630	12,739	56,670	49,250	219,070	22,530	100,220	118,200	13,350	57,347	6,480	SG110XP0*RBC
	147	0.56	0.254	3,720	16,550	1,433	6,370	9,300	41,370	2,450	10,900	22,770	2,570	6,587	740	SA120XP0*RBC
	123	0.83	0.376	5,000	22,240	2,045	9,100	12,500	55,600	3,470	15,440	30,770	3,480	9,446	1,070	SB120XP0*RBC
	99	1.25	0.567	5,950	26,470	2,622	11,660	14,880	66,190	4,420	19,660	36,830	4,160	12,174	1,380	SC120XP0*RBC
	75	2.25	1.021	8,550	38,030	4,178	18,580	21,380	95,100	7,080	31,490	53,440	6,040	19,590	2,210	SD120XP0*RBC
	51	5.20	2.359	14,390	64,010	8,084	35,960	35,970	160,000	13,190	58,670	91,730	10,360	38,666	4,370	SF120XP0*RBC
	39	9.30	4.218	21,340	94,930	13,315	59,230	53,350	237,310	23,180	103,110	138,700	15,670	64,935	7,340	SG120XP0*RBC
	143	1.05	0.476	5,810	25,840	2,234	9,940	14,530	64,630	3,840	17,080	41,580	4,700	11,994	1,360	SA140XP0*RBC
	115	1.52	0.689	6,910	30,740	2,862	12,730	17,280	76,870	4,890	21,750	49,690	5,610	15,434	1,740	SB140XP0*RBC
	87	2.73	1.238	9,920	44,130	4,551	20,240	24,800	110,320	7,670	34,120	71,910	8,120	24,755	2,800	SC140XP0*RBC
	59	6.00	2.722	16,650	74,060	8,775	39,030	41,620	185,130	14,530	64,630	122,800	13,870	48,556	5,490	SD140XP0*RBC
	45	10.80	4.899	24,620	109,520	14,404	64,070	61,560	273,830	24,300	108,090	184,700	20,870	81,056	9,160	SF140XP0*RBC
	163	1.20	0.544	6,620	29,450	2,410	10,720	16,560	73,660	4,190	18,640	54,020	6,100	14,750	1,670	SA160XP0*RBC
	131	1.73	0.785	7,880	35,050	3,086	13,730	19,690	87,590	5,330	23,710	64,480	7,290	18,955	2,140	SB160XP0*RBC
	99	3.10	1.406	11,290	50,220	4,899	21,790	28,220	125,530	8,360	37,190	93,110	10,520	30,325	3,430	SC160XP0*RBC
	67	7.10	3.221	18,900	84,070	9,421	41,910	47,260	210,220	15,820	70,370	158,300	17,890	59,200	6,690	SD160XP0*RBC
	51	12.30	5.579	27,910	124,150	15,425	68,610	69,770	310,350	25,510	113,470	237,200	26,800	98,373	11,110	SF160XP0*RBC
	183	1.35	0.612	7,440	33,090	2,576	11,460	18,590	82,690	4,520	20,110	68,090	7,690	17,694	2,000	SA180XP0*RBC
	147	1.94	0.880	8,840	39,320	3,295	14,660	22,090	98,260	5,760	25,620	81,190	9,170	22,712	2,570	SB180XP0*RBC
	111	3.48	1.579	12,650	56,270	5,226	23,250	31,640	140,740	9,030	40,170	117,000	13,220	36,268	4,100	SC180XP0*RBC
	75	7.90	3.583	21,160	94,120	10,028	44,610	52,900	235,310	17,060	75,890	198,400	22,420	70,537	7,970	SD180XP0*RBC
	57	13.70	6.214	31,190	138,740	16,386	72,890	77,980	346,870	27,410	121,930	296,300	33,480	116,793	13,200	SF180XP0*RBC
	203	1.50	0.680	8,250	36,700	2,731	12,150	20,620	91,720	4,850	21,570	83,780	9,470	20,813	2,350	SA200XP0*RBC
	163	2.16	0.980	9,800	43,590	3,492	15,530	24,500	108,980	6,170	27,450	99,830	11,280	26,695	3,020	SB200XP0*RBC
	123	3.85	1.746	14,020	62,360	5,534	24,620	35,060	155,950	9,670	43,010	143,700	16,240	42,561	4,810	SC200XP0*RBC
	83	8.90	4.037	23,420	104,180	10,602	47,160	58,550	260,440	18,250	81,180	243,000	27,460	82,528	9,320	SD200XP0*RBC
	63	15.80	7.167	34,470	153,330	17,293	76,920	86,180	383,350	29,300	130,330	362,000	40,900	136,238	15,390	SF200XP0*RBC
	203	2.69	1.220	12,200	54,270	3,941	17,530	30,510	135,720	7,140	31,760	154,800	17,490	37,518	4,240	SA250XP0*RBC
	153	4.79	2.173	17,440	77,580	6,235	27,730	43,610	193,990	11,180	49,730	222,400	25,130	59,649	6,740	SB250XP0*RBC
	103	10.90	4.944	29,060	129,270	11,909	52,970	72,650	323,160	21,070	93,720	374,200	42,280	115,037	13,000	SC250XP0*RBC
	78	19.50	8.845	42,680	189,850	19,360	86,120	106,700	474,630	33,780	150,260	554,900	62,700	188,838	21,340	SD250XP0*RBC
	243	3.21	1.456	14,610	64,990	4,338	19,300	36,520	162,450	8,050	35,810	221,900	25,070	49,436	5,590	SF250XP0*RBC
	183	5.73	2.599	20,860	92,790	6,856	30,500	52,160	232,020	12,600	56,050	318,100	35,940	78,447	8,860	SA300XP0*RBC
	123	13.00	5.897	34,700	154,350	13,065	58,120	86,760	385,930	23,720	105,510	533,600	60,290	150,708	17,030	SB300XP0*RBC
	93	23.30	10.569	50,890	226,370	21,200	94,300	127,200	565,810	37,980	168,940	788,800	89,120	246,541	27,860	SC300XP0*RBC
	143	15.10	6.849	40,350	179,490	14,100	62,720	100,900	448,830	26,220	116,630	721,200	81,480	189,106	21,370	SD300XP0*RBC
	108	27.10	12.292	59,100	262,890	22,845	101,620	147,700	657,000	41,970	186,690	1,064,000	120,220	308,527	34,860	SF350XP0*RBC
	163	17.20	7.802	45,990	204,570	15,034	66,870	115,000	511,550	28,620	127,310	937,100	105,880	229,832	25,970	SA400XP0*RBC
	123	30.80	13.971	67,310	299,410	24,332	108,230	168,300	748,640	45,770	203,600	1,380,000	155,920	374,256	42,290	SB400XP0*RBC

S-SERIES