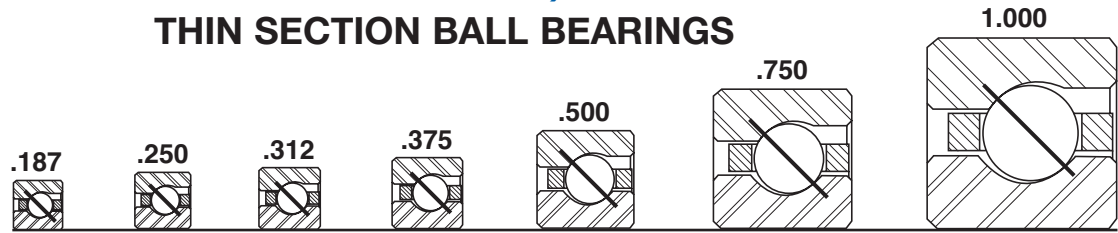




# ANGULAR CONTACT, A-TYPE THIN SECTION BALL BEARINGS



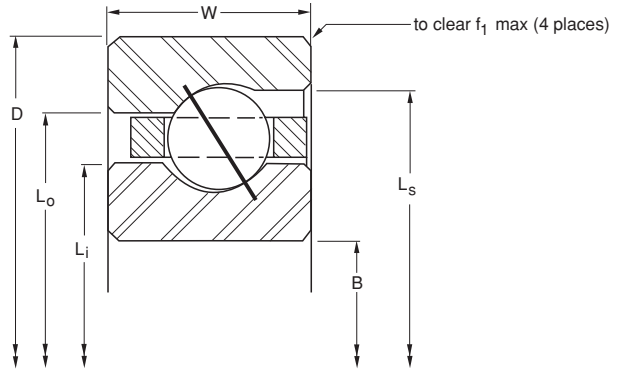
Series: **SAA SA SB SC SD SF SG**

Cross Section Size: **3/16" 1/4" 5/16" 3/8" 1/2" 3/4" 1"**

PART NUMBER*	NOMINAL DIMENSIONS														
	B Bore		D Outside Diameter		W Width		Land Diameter			f <sub>1</sub> Housing Fillet		Ball Diameter			
	in.	mm	in.	mm	in.	mm	L <sub>i</sub> -Inner Ring	L <sub>o</sub> -Outer Ring	L <sub>s</sub> -Counter Bore	in.	mm				
SAA10AG0*RBC	1.0000	25.400	1.3750	34.925	0.1875	4.763	1.141	28.98	1.234	31.34	1.235	31.37	0.015	0.38	3/32
SAA15AG0*RBC	1.5000	38.100	1.8750	47.625	0.1875	4.763	1.641	41.68	1.734	44.04	1.735	44.07	0.015	0.38	3/32
SAA17AG0*RBC	1.7500	44.450	2.1250	53.975	0.1875	4.763	1.890	48.01	1.985	50.42	2.024	51.41	0.015	0.38	3/32
SA020AR0*RBC	2.0000	50.800	2.5000	63.500	0.2500	6.350	2.188	55.58	2.313	58.75	2.375	60.33	0.025	0.64	1/8
SB020AR0*RBC	2.0000	50.800	2.6250	66.675	0.3125	7.938	2.234	56.74	2.391	60.73	2.469	62.71	0.032	0.81	5/32
SA025AR0*RBC	2.5000	63.500	3.0000	76.200	0.2500	6.350	2.688	68.28	2.813	71.45	2.875	73.03	0.025	0.64	1/8
SB025AR0*RBC	2.5000	63.500	3.1250	79.375	0.3125	7.938	2.734	69.44	2.891	73.43	2.969	75.41	0.032	0.81	5/32
SA030AR0*RBC	3.0000	76.200	3.5000	88.900	0.2500	6.350	3.188	80.98	3.313	84.15	3.375	85.73	0.025	0.64	1/8
SB030AR0*RBC	3.0000	76.200	3.6250	92.075	0.3125	7.938	3.234	82.14	3.391	86.13	3.469	88.11	0.032	0.81	5/32
SA035AR0*RBC	3.5000	88.900	4.0000	101.600	0.2500	6.350	3.688	93.68	3.813	96.85	3.875	98.43	0.025	0.64	1/8
SB035AR0*RBC	3.5000	88.900	4.1250	104.775	0.3125	7.938	3.734	94.84	3.891	98.83	3.969	100.81	0.032	0.81	5/32
SA040AR0*RBC	4.0000	101.600	4.5000	114.300	0.2500	6.350	4.188	106.38	4.313	109.55	4.375	111.13	0.025	0.64	1/8
SB040AR0*RBC	4.0000	101.600	4.6250	117.475	0.3125	7.938	4.234	107.54	4.391	111.53	4.469	113.51	0.032	0.81	5/32
SC040AR0*RBC	4.0000	101.600	4.7500	120.650	0.3750	9.525	4.281	108.74	4.469	113.51	4.563	115.90	0.040	1.02	3/16
SD040AR0*RBC	4.0000	101.600	5.0000	127.000	0.5000	12.700	4.375	111.13	4.625	117.48	4.750	120.65	0.060	1.52	1/4
SF040AR0*RBC	4.0000	101.600	5.5000	139.700	0.7500	19.050	4.563	115.90	4.938	125.43	5.125	130.18	0.080	2.03	3/8
SG040AR0*RBC	4.0000	101.600	6.0000	152.400	1.0000	25.400	4.750	120.65	5.250	133.35	5.500	139.70	0.080	2.03	1/2
SA042AR0*RBC	4.2500	107.950	4.7500	120.650	0.2500	6.350	4.438	112.73	4.563	115.90	4.625	117.48	0.025	0.64	1/8
SB042AR0*RBC	4.2500	107.950	4.8750	123.825	0.3125	7.938	4.484	113.89	4.641	117.88	4.719	119.86	0.032	0.81	5/32
SC042AR0*RBC	4.2500	107.950	5.0000	127.000	0.3750	9.525	4.531	115.09	4.719	119.86	4.813	122.25	0.040	1.02	3/16
SD042AR0*RBC	4.2500	107.950	5.2500	133.350	0.5000	12.700	4.625	117.48	4.875	123.83	5.000	127.00	0.060	1.52	1/4
SF042AR0*RBC	4.2500	107.950	5.7500	146.050	0.7500	19.050	4.813	122.25	5.188	131.78	5.375	136.53	0.080	2.03	3/8
SG042AR0*RBC	4.2500	107.950	6.2500	158.750	1.0000	25.400	5.000	127.00	5.500	139.70	5.750	146.05	0.080	2.03	1/2
SA045AR0*RBC	4.5000	114.300	5.0000	127.000	0.2500	6.350	4.688	119.08	4.813	122.25	4.875	123.83	0.025	0.64	1/8
SB045AR0*RBC	4.5000	114.300	5.1250	130.175	0.3125	7.938	4.734	120.24	4.891	124.23	4.969	126.21	0.032	0.81	5/32
SC045AR0*RBC	4.5000	114.300	5.2500	133.350	0.3750	9.525	4.781	121.44	4.969	126.21	5.063	128.60	0.040	1.02	3/16
SD045AR0*RBC	4.5000	114.300	5.5000	139.700	0.5000	12.700	4.875	123.83	5.125	130.18	5.250	133.35	0.060	1.52	1/4
SF045AR0*RBC	4.5000	114.300	6.0000	152.400	0.7500	19.050	5.063	128.60	5.438	138.13	5.625	142.88	0.080	2.03	3/8
SG045AR0*RBC	4.5000	114.300	6.5000	165.100	1.0000	25.400	5.250	133.35	5.750	146.05	6.000	152.40	0.080	2.03	1/2
SA047AR0*RBC	4.7500	120.650	5.2500	133.350	0.2500	6.350	4.938	125.43	5.063	128.60	5.125	130.18	0.025	0.64	1/8
SB047AR0*RBC	4.7500	120.650	5.3750	136.525	0.3125	7.938	4.984	126.59	5.141	130.58	5.219	132.56	0.032	0.81	5/32
SC047AR0*RBC	4.7500	120.650	5.5000	139.700	0.3750	9.525	5.031	127.79	5.219	132.56	5.313	134.95	0.040	1.02	3/16
SD047AR0*RBC	4.7500	120.650	5.7500	146.050	0.5000	12.700	5.125	130.18	5.375	136.53	5.500	139.70	0.060	1.52	1/4
SF047AR0*RBC	4.7500	120.650	6.2500	158.750	0.7500	19.050	5.313	134.95	5.688	144.48	5.875	149.23	0.080	2.03	3/8
SG047AR0*RBC	4.7500	120.650	6.7500	171.450	1.0000	25.400	5.500	139.70	6.000	152.40	6.250	158.75	0.080	2.03	1/2
SA050AR0*RBC	5.0000	127.000	5.5000	139.700	0.2500	6.350	5.188	131.78	5.313	134.95	5.375	136.53	0.025	0.64	1/8
SB050AR0*RBC	5.0000	127.000	5.6250	142.875	0.3125	7.938	5.234	132.94	5.391	136.93	5.469	138.91	0.032	0.81	5/32
SC050AR0*RBC	5.0000	127.000	5.7500	146.050	0.3750	9.525	5.281	134.14	5.469	138.91	5.563	141.30	0.040	1.02	3/16
SD050AR0*RBC	5.0000	127.000	6.0000	152.400	0.5000	12.700	5.375	136.53	5.625	142.88	5.750	146.05	0.060	1.52	1/4
SF050AR0*RBC	5.0000	127.000	6.5000	165.100	0.7500	19.050	5.563	141.30	5.938	150.83	6.125	155.58	0.080	2.03	3/8
SG050AR0*RBC	5.0000	127.000	7.0000	177.800	1.0000	25.400	5.750	146.05	6.250	158.75	6.500	165.10	0.080	2.03	1/2
SA055AR0*RBC	5.5000	139.700	6.0000	152.400	0.2500	6.350	5.688	144.48	5.813	147.65	5.875	149.23	0.025	0.64	1/8
SB055AR0*RBC	5.5000	139.700	6.1250	155.575	0.3125	7.938	5.734	145.64	5.891	149.63	5.969	151.61	0.032	0.81	5/32
SC055AR0*RBC	5.5000	139.700	6.2500	158.750	0.3750	9.525	5.781	146.84	5.969	151.61	6.063	154.00	0.040	1.02	3/16
SD055AR0*RBC	5.5000	139.700	6.5000	165.100	0.5000	12.700	5.875	149.23	6.125	155.58	6.250	158.75	0.060	1.52	1/4
SF055AR0*RBC	5.5000	139.700	7.0000	177.800	0.7500	19.050	6.063	154.00	6.438	163.53	6.625	168.28	0.080	2.03	3/8



- 440C Stainless Steel
- Large Diameter
- Light Weight
- Small Cross Section
- Circular Pocket Ball Separator



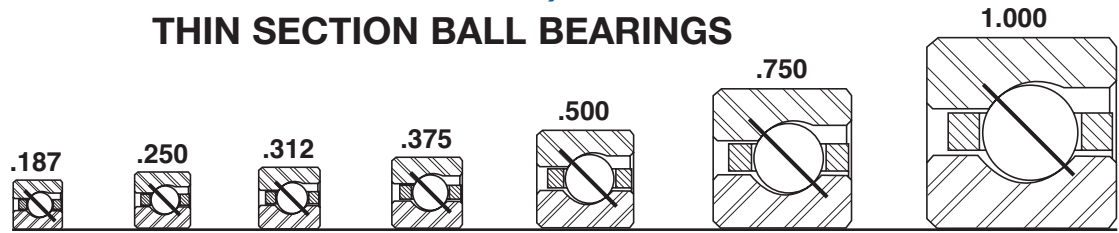
	Ball Quantity	Approx. Weight		LOAD RATINGS										PART NUMBER*		
				Radial				Thrust				Moment				
				Static		Dynamic		Static		Dynamic		Static			Dynamic	
lbs.	kg	lbf	N	lbf	N	lbf	N	lbf	N	lbf - in	Nm	lbf - in	Nm			
	28	0.03	0.014	340	1,510	330	1,470	970	4,310	960	4,270	N/A	N/A	N/A	N/A	SAA10AG0*RBC
	40	0.04	0.018	480	2,140	380	1,690	1,380	6,140	1,100	4,890	N/A	N/A	N/A	N/A	SAA15AG0*RBC
	44	0.06	0.027	530	2,360	390	1,730	1,520	6,760	1,122	4,990	N/A	N/A	N/A	N/A	SAA17AG0*RBC
	36	0.10	0.045	790	3,510	600	2,670	2,280	10,140	1,730	7,700	N/A	N/A	N/A	N/A	SA020AR0*RBC
	31	0.16	0.073	1,090	4,850	850	3,780	3,150	14,010	2,460	10,940	N/A	N/A	N/A	N/A	SB020AR0*RBC
	44	0.13	0.059	960	4,270	640	2,850	2,780	12,370	1,860	8,270	N/A	N/A	N/A	N/A	SA025AR0*RBC
	38	0.20	0.091	1,340	5,960	920	4,090	3,860	17,170	2,680	11,920	N/A	N/A	N/A	N/A	SB025AR0*RBC
	52	0.15	0.068	1,140	5,070	680	3,020	3,290	14,630	1,980	8,810	N/A	N/A	N/A	N/A	SA030AR0*RBC
	44	0.24	0.109	1,550	6,890	970	4,310	4,470	19,880	2,800	12,460	N/A	N/A	N/A	N/A	SB030AR0*RBC
	60	0.18	0.082	1,310	5,830	720	3,200	3,790	16,860	2,070	9,210	N/A	N/A	N/A	N/A	SA035AR0*RBC
	51	0.27	0.122	1,790	7,960	1,020	4,540	5,180	23,040	2,970	13,210	N/A	N/A	N/A	N/A	SB035AR0*RBC
	68	0.19	0.086	1,490	6,630	750	3,340	4,300	19,130	2,180	9,700	N/A	N/A	N/A	N/A	SA040AR0*RBC
	58	0.30	0.136	2,040	9,070	1,080	4,800	5,890	26,200	3,130	13,920	N/A	N/A	N/A	N/A	SB040AR0*RBC
	49	0.45	0.204	2,550	11,340	1,410	6,270	7,360	32,740	4,080	18,150	N/A	N/A	N/A	N/A	SC040AR0*RBC
	36	0.78	0.354	3,550	15,790	2,373	10,560	10,260	45,640	6,020	26,780	N/A	N/A	N/A	N/A	SD040AR0*RBC
	26	1.90	0.862	6,350	28,250	4,350	19,350	18,340	81,580	12,620	56,140	N/A	N/A	N/A	N/A	SF040AR0*RBC
	20	3.60	1.633	9,480	42,170	7,340	32,650	27,360	121,700	21,290	94,700	N/A	N/A	N/A	N/A	SG040AR0*RBC
	72	0.20	0.091	1,580	7,030	770	3,430	4,550	20,240	2,240	9,960	N/A	N/A	N/A	N/A	SA042AR0*RBC
	61	0.31	0.141	2,150	9,560	1,090	4,850	6,200	27,580	3,170	14,100	N/A	N/A	N/A	N/A	SB042AR0*RBC
	52	0.47	0.213	2,710	12,050	1,440	6,410	7,820	34,790	4,180	18,590	N/A	N/A	N/A	N/A	SC042AR0*RBC
	38	0.83	0.376	3,750	16,680	2,410	10,720	10,830	48,170	6,990	31,090	N/A	N/A	N/A	N/A	SD042AR0*RBC
	27	2.00	0.907	6,600	29,360	4,390	19,530	19,050	84,740	12,740	56,670	N/A	N/A	N/A	N/A	SF042AR0*RBC
	21	3.80	1.724	9,950	44,260	7,580	33,720	28,730	127,800	21,990	97,820	N/A	N/A	N/A	N/A	SG042AR0*RBC
	76	0.22	0.100	1,660	7,380	780	3,470	4,810	21,400	2,260	10,050	N/A	N/A	N/A	N/A	SA045AR0*RBC
	64	0.33	0.150	2,250	10,010	1,120	4,980	6,500	28,910	3,240	14,410	N/A	N/A	N/A	N/A	SB045AR0*RBC
	55	0.48	0.218	2,860	12,720	1,470	6,540	8,270	36,790	4,260	18,950	N/A	N/A	N/A	N/A	SC045AR0*RBC
	40	0.88	0.399	3,950	17,570	2,460	10,940	11,400	50,710	7,140	31,760	N/A	N/A	N/A	N/A	SD045AR0*RBC
	29	2.10	0.953	7,090	31,540	4,550	20,240	20,460	91,010	13,200	58,720	N/A	N/A	N/A	N/A	SF045AR0*RBC
	22	4.00	1.814	10,430	46,390	7,820	34,790	30,100	133,890	22,690	100,930	N/A	N/A	N/A	N/A	SG045AR0*RBC
	80	0.23	0.104	1,750	7,780	800	3,560	5,060	22,510	2,310	10,280	N/A	N/A	N/A	N/A	SA047AR0*RBC
	68	0.34	0.154	2,390	10,630	1,140	5,070	6,910	30,740	3,290	14,630	N/A	N/A	N/A	N/A	SB047AR0*RBC
	58	0.50	0.227	3,020	13,430	1,500	6,670	8,720	38,790	4,340	19,310	N/A	N/A	N/A	N/A	SC047AR0*RBC
	42	0.94	0.426	4,150	18,460	2,510	11,170	11,970	53,250	7,280	32,380	N/A	N/A	N/A	N/A	SD047AR0*RBC
	30	2.20	0.998	7,330	32,610	4,610	20,510	21,160	94,120	13,380	59,520	N/A	N/A	N/A	N/A	SF047AR0*RBC
	23	4.10	1.860	10,900	48,490	8,060	35,850	31,460	139,940	23,370	103,950	N/A	N/A	N/A	N/A	SG047AR0*RBC
	84	0.24	0.109	1,840	8,180	810	3,600	5,310	23,620	2,360	10,500	N/A	N/A	N/A	N/A	SA050AR0*RBC
	71	0.38	0.172	2,500	11,120	1,160	5,160	7,210	32,070	3,350	14,900	N/A	N/A	N/A	N/A	SB050AR0*RBC
	61	0.58	0.263	3,180	14,150	1,540	6,850	9,170	40,790	4,450	19,790	N/A	N/A	N/A	N/A	SC050AR0*RBC
	44	1.00	0.454	4,340	19,310	2,550	11,340	12,540	55,780	7,400	32,920	N/A	N/A	N/A	N/A	SD050AR0*RBC
	31	2.30	1.043	7,570	33,670	4,650	20,680	21,870	97,280	13,480	59,960	N/A	N/A	N/A	N/A	SF050AR0*RBC
	24	4.30	1.950	11,370	50,580	8,290	36,880	32,830	146,040	24,040	106,940	N/A	N/A	N/A	N/A	SG050AR0*RBC
	92	0.25	0.113	2,020	8,990	830	3,690	5,820	25,890	2,410	10,720	N/A	N/A	N/A	N/A	SA055AR0*RBC
	78	0.41	0.186	2,740	12,190	1,200	5,340	7,920	35,230	3,480	15,480	N/A	N/A	N/A	N/A	SB055AR0*RBC
	66	0.59	0.268	3,440	15,300	1,560	6,940	9,920	44,130	4,540	20,190	N/A	N/A	N/A	N/A	SC055AR0*RBC
	48	1.06	0.481	4,740	21,080	2,640	11,740	13,680	60,850	7,660	34,070	N/A	N/A	N/A	N/A	SD055AR0*RBC
	34	2.50	1.134	8,310	36,960	4,820	21,440	23,980	106,670	13,980	62,190	N/A	N/A	N/A	N/A	SF055AR0*RBC

Refer to the Engineering section for load and speed limitations.

S-SERIES



## ANGULAR CONTACT, A-TYPE THIN SECTION BALL BEARINGS



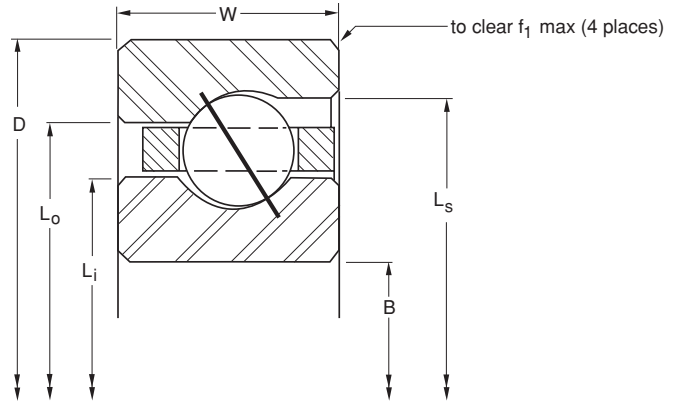
Series: **SAA**    **SA**    **SB**    **SC**    **SD**    **SF**    **SG**  
 Cross Section Size: **3/16"**    **1/4"**    **5/16"**    **3/8"**    **1/2"**    **3/4"**    **1"**

PART NUMBER*	NOMINAL DIMENSIONS														
	B Bore		D Outside Diameter		W Width		Land Diameter			f <sub>1</sub> Housing Fillet		Ball Diameter			
	in.	mm	in.	mm	in.	mm	L <sub>i</sub> -Inner Ring	L <sub>o</sub> -Outer Ring	L <sub>s</sub> -Counter Bore	in.	mm	in.			
SG055ARO*RBC	5.5000	139.700	7.5000	190.500	1.0000	25.400	6.250	158.75	6.750	171.45	7.000	177.80	0.080	2.03	1/2
SA060ARO*RBC	6.0000	152.400	6.5000	165.100	0.2500	6.350	6.188	157.18	6.313	160.35	6.375	161.93	0.025	0.64	1/8
SB060ARO*RBC	6.0000	152.400	6.6250	168.275	0.3125	7.938	6.234	158.34	6.391	162.33	6.469	164.31	0.032	0.81	5/32
SC060ARO*RBC	6.0000	152.400	6.7500	171.450	0.3750	9.525	6.281	159.54	6.469	164.31	6.563	166.70	0.040	1.02	3/16
SD060ARO*RBC	6.0000	152.400	7.0000	177.800	0.5000	12.700	6.375	161.93	6.625	168.28	6.750	171.45	0.060	1.52	1/4
SF060ARO*RBC	6.0000	152.400	7.5000	190.500	0.7500	19.050	6.563	166.70	6.938	176.23	7.125	180.98	0.080	2.03	3/8
SG060ARO*RBC	6.0000	152.400	8.0000	203.200	1.0000	25.400	6.750	171.45	7.250	184.15	7.500	190.50	0.080	2.03	1/2
SA065ARO*RBC	6.5000	165.100	7.0000	177.800	0.2500	6.350	6.688	169.88	6.813	173.05	6.875	174.63	0.025	0.64	1/8
SB065ARO*RBC	6.5000	165.100	7.1250	180.975	0.3125	7.938	6.734	171.04	6.891	175.03	6.969	177.01	0.032	0.81	5/32
SC065ARO*RBC	6.5000	165.100	7.2500	184.150	0.3750	9.525	6.781	172.24	6.969	177.01	7.063	179.40	0.040	1.02	3/16
SD065ARO*RBC	6.5000	165.100	7.5000	190.500	0.5000	12.700	6.875	174.63	7.125	180.98	7.250	184.15	0.060	1.52	1/4
SF065ARO*RBC	6.5000	165.100	8.0000	203.200	0.7500	19.050	7.063	179.40	7.438	188.93	7.625	193.68	0.080	2.03	3/8
SG065ARO*RBC	6.5000	165.100	8.5000	215.900	1.0000	25.400	7.250	184.15	7.750	196.85	8.000	203.20	0.080	2.03	1/2
SA070ARO*RBC	7.0000	177.800	7.5000	190.500	0.2500	6.350	7.188	182.58	7.313	185.75	7.375	187.33	0.025	0.64	1/8
SB070ARO*RBC	7.0000	177.800	7.6250	193.675	0.3125	7.938	7.234	183.74	7.391	187.73	7.469	189.71	0.032	0.81	5/32
SC070ARO*RBC	7.0000	177.800	7.7500	196.850	0.3750	9.525	7.281	184.94	7.469	189.71	7.563	192.10	0.040	1.02	3/16
SD070ARO*RBC	7.0000	177.800	8.0000	203.200	0.5000	12.700	7.375	187.33	7.625	193.68	7.750	196.85	0.060	1.52	1/4
SF070ARO*RBC	7.0000	177.800	8.5000	215.900	0.7500	19.050	7.563	192.10	7.938	201.63	8.125	206.38	0.080	2.03	3/8
SG070ARO*RBC	7.0000	177.800	9.0000	228.600	1.0000	25.400	7.750	196.85	8.250	209.55	8.500	215.90	0.080	2.03	1/2
SA075ARO*RBC	7.5000	190.500	8.0000	203.200	0.2500	6.350	7.688	195.28	7.813	198.45	7.875	200.03	0.025	0.64	1/8
SB075ARO*RBC	7.5000	190.500	8.1250	206.375	0.3125	7.938	7.734	196.44	7.891	200.43	7.969	202.41	0.032	0.81	5/32
SC075ARO*RBC	7.5000	190.500	8.2500	209.550	0.3750	9.525	7.781	197.64	7.969	202.41	8.063	204.80	0.040	1.02	3/16
SD075ARO*RBC	7.5000	190.500	8.5000	215.900	0.5000	12.700	7.875	200.03	8.125	206.38	8.250	209.55	0.060	1.52	1/4
SF075ARO*RBC	7.5000	190.500	9.0000	228.600	0.7500	19.050	8.063	204.80	8.438	214.33	8.625	219.08	0.080	2.03	3/8
SG075ARO*RBC	7.5000	190.500	9.5000	241.300	1.0000	25.400	8.250	209.55	8.750	222.25	9.000	228.60	0.080	2.03	1/2
SA080ARO*RBC	8.0000	203.200	8.5000	215.900	0.2500	6.350	8.188	207.98	8.313	211.15	8.375	212.73	0.025	0.64	1/8
SB080ARO*RBC	8.0000	203.200	8.6250	219.075	0.3125	7.938	8.234	209.14	8.391	213.13	8.469	215.11	0.032	0.81	5/32
SC080ARO*RBC	8.0000	203.200	8.7500	222.250	0.3750	9.525	8.281	210.34	8.469	215.11	8.563	217.50	0.040	1.02	3/16
SD080ARO*RBC	8.0000	203.200	9.0000	228.600	0.5000	12.700	8.375	212.73	8.625	219.08	8.750	222.25	0.060	1.52	1/4
SF080ARO*RBC	8.0000	203.200	9.5000	241.300	0.7500	19.050	8.563	217.50	8.938	227.03	9.125	231.78	0.080	2.03	3/8
SG080ARO*RBC	8.0000	203.200	10.0000	254.000	1.0000	25.400	8.750	222.25	9.250	234.95	9.500	241.30	0.080	2.03	1/2
SA090ARO*RBC	9.0000	228.600	9.5000	241.300	0.2500	6.350	9.188	233.38	9.313	236.55	9.375	238.13	0.025	0.64	1/8
SB090ARO*RBC	9.0000	228.600	9.6250	244.475	0.3125	7.938	9.234	234.54	9.391	238.53	9.469	240.51	0.032	0.81	5/32
SC090ARO*RBC	9.0000	228.600	9.7500	247.650	0.3750	9.525	9.281	235.74	9.469	240.51	9.563	242.90	0.040	1.02	3/16
SD090ARO*RBC	9.0000	228.600	10.0000	254.000	0.5000	12.700	9.375	238.13	9.625	244.48	9.750	247.65	0.060	1.52	1/4
SF090ARO*RBC	9.0000	228.600	10.5000	266.700	0.7500	19.050	9.563	242.90	9.938	252.43	10.125	257.18	0.080	2.03	3/8
SG090ARO*RBC	9.0000	228.600	11.0000	279.400	1.0000	25.400	9.750	247.65	10.250	260.35	10.500	266.70	0.080	2.03	1/2
SA100ARO*RBC	10.0000	254.000	10.5000	266.700	0.2500	6.350	10.188	258.78	10.313	261.95	10.375	263.53	0.025	0.64	1/8
SB100ARO*RBC	10.0000	254.000	10.6250	269.875	0.3125	7.938	10.234	259.94	10.391	263.93	10.469	265.91	0.032	0.81	5/32
SC100ARO*RBC	10.0000	254.000	10.7500	273.050	0.3750	9.525	10.281	261.14	10.469	265.91	10.563	268.30	0.040	1.02	3/16
SD100ARO*RBC	10.0000	254.000	11.0000	279.400	0.5000	12.700	10.375	263.53	10.625	269.88	10.750	273.05	0.060	1.52	1/4
SF100ARO*RBC	10.0000	254.000	11.5000	292.100	0.7500	19.050	10.563	268.30	10.938	277.83	11.125	282.58	0.080	2.03	3/8
SG100ARO*RBC	10.0000	254.000	12.0000	304.800	1.0000	25.400	10.750	273.05	11.250	285.75	11.500	292.10	0.080	2.03	1/2

\*The alphanumeric identification system is used under license.



- 440C Stainless Steel
- Large Diameter
- Light Weight
- Small Cross Section
- Circular Pocket Ball Separator



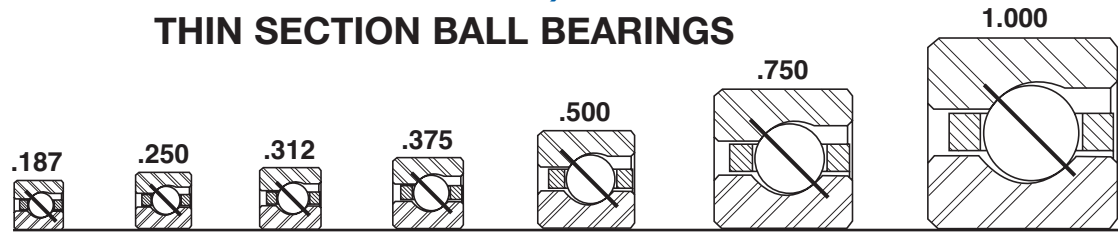
Ball Quantity	Approx. Weight		LOAD RATINGS											PART NUMBER*	
			Radial				Thrust				Moment				
			Static		Dynamic		Static		Dynamic		Static		Dynamic		
lbs.	kg	lbf	N	lbf	N	lbf	N	lbf	N	lbf - in	Nm	lbf - in	Nm		
26	4.70	2.132	12,320	54,800	8,610	38,300	35,570	158,220	24,960	111,030	N/A	N/A	N/A	N/A	SG055AR0*RBC
100	0.28	0.127	2,190	9,740	860	3,830	6,320	28,110	2,500	11,120	N/A	N/A	N/A	N/A	SA060AR0*RBC
85	0.44	0.200	2,990	13,300	1,240	5,520	8,630	38,390	3,600	16,010	N/A	N/A	N/A	N/A	SB060AR0*RBC
72	0.63	0.286	3,750	16,680	1,620	7,210	10,820	48,130	4,690	20,860	N/A	N/A	N/A	N/A	SC060AR0*RBC
52	1.16	0.526	5,130	22,820	2,720	12,100	14,820	65,920	7,880	35,050	N/A	N/A	N/A	N/A	SD060AR0*RBC
37	2.70	1.225	9,040	40,210	5,010	22,290	26,100	116,100	14,530	64,630	N/A	N/A	N/A	N/A	SF060AR0*RBC
28	5.10	2.313	13,270	59,030	8,860	39,410	38,300	170,370	25,700	114,320	N/A	N/A	N/A	N/A	SG060AR0*RBC
108	0.30	0.136	2,370	10,540	890	3,960	6,830	30,380	2,580	11,480	N/A	N/A	N/A	N/A	SA065AR0*RBC
91	0.47	0.213	3,200	14,230	1,260	5,600	9,240	41,100	3,650	16,240	N/A	N/A	N/A	N/A	SB065AR0*RBC
78	0.68	0.308	4,060	18,060	1,670	7,430	11,720	52,130	4,830	21,480	N/A	N/A	N/A	N/A	SC065AR0*RBC
56	1.22	0.553	5,530	24,600	2,780	12,370	15,960	70,990	8,070	35,900	N/A	N/A	N/A	N/A	SD065AR0*RBC
40	2.90	1.315	9,770	43,460	5,140	22,860	28,220	125,530	14,920	66,370	N/A	N/A	N/A	N/A	SF065AR0*RBC
30	5.40	2.449	14,220	63,250	9,110	40,520	41,040	182,560	26,410	117,480	N/A	N/A	N/A	N/A	SG065AR0*RBC
116	0.31	0.141	2,540	11,300	900	4,000	7,340	32,650	2,600	11,570	N/A	N/A	N/A	N/A	SA070AR0*RBC
98	0.50	0.227	3,450	15,350	1,300	5,780	9,960	44,300	3,760	16,730	N/A	N/A	N/A	N/A	SB070AR0*RBC
83	0.73	0.331	4,320	19,220	1,720	7,650	12,470	55,470	4,980	22,150	N/A	N/A	N/A	N/A	SC070AR0*RBC
60	1.31	0.594	5,920	26,330	2,850	12,680	17,100	76,060	8,260	36,740	N/A	N/A	N/A	N/A	SD070AR0*RBC
43	3.20	1.451	10,510	46,750	5,290	23,530	30,330	134,910	15,350	68,280	N/A	N/A	N/A	N/A	SF070AR0*RBC
32	5.80	2.631	15,160	67,440	9,370	41,680	43,780	194,740	27,160	120,810	N/A	N/A	N/A	N/A	SG070AR0*RBC
124	0.34	0.154	2,720	12,100	920	4,090	7,840	34,870	2,660	11,830	N/A	N/A	N/A	N/A	SA075AR0*RBC
105	0.53	0.240	3,700	16,460	1,330	5,920	10,670	47,460	3,860	17,170	N/A	N/A	N/A	N/A	SB075AR0*RBC
89	0.78	0.354	4,630	20,600	1,750	7,780	13,380	59,520	5,090	22,640	N/A	N/A	N/A	N/A	SC075AR0*RBC
64	1.41	0.640	6,320	28,110	2,940	13,080	18,240	81,140	8,520	37,900	N/A	N/A	N/A	N/A	SD075AR0*RBC
45	3.40	1.542	11,000	48,930	5,380	23,930	31,740	141,190	15,590	69,350	N/A	N/A	N/A	N/A	SF075AR0*RBC
34	6.10	2.767	16,110	71,660	9,560	42,530	46,510	206,890	27,710	123,260	N/A	N/A	N/A	N/A	SG075AR0*RBC
132	0.38	0.172	2,890	12,860	960	4,270	8,350	37,140	2,770	12,320	N/A	N/A	N/A	N/A	SA080AR0*RBC
112	0.57	0.259	3,940	17,530	1,360	6,050	11,380	50,620	3,950	17,570	N/A	N/A	N/A	N/A	SB080AR0*RBC
95	0.84	0.381	4,950	22,020	1,800	8,010	14,280	63,520	5,210	23,180	N/A	N/A	N/A	N/A	SC080AR0*RBC
68	1.53	0.694	6,710	29,850	2,990	13,300	19,380	86,210	8,670	38,570	N/A	N/A	N/A	N/A	SD080AR0*RBC
48	3.50	1.588	11,730	52,180	5,520	24,550	33,860	150,620	16,020	71,260	N/A	N/A	N/A	N/A	SF080AR0*RBC
36	6.50	2.948	17,060	75,890	9,800	43,590	49,250	219,070	28,430	126,460	N/A	N/A	N/A	N/A	SG080AR0*RBC
148	0.44	0.200	3,240	14,410	990	4,400	9,360	41,640	2,860	12,720	N/A	N/A	N/A	N/A	SA090AR0*RBC
125	0.66	0.299	4,400	19,570	1,410	6,270	12,700	56,490	4,080	18,150	N/A	N/A	N/A	N/A	SB090AR0*RBC
106	0.94	0.426	5,520	24,550	1,860	8,270	15,930	70,860	5,400	24,020	N/A	N/A	N/A	N/A	SC090AR0*RBC
76	1.72	0.780	7,500	33,360	3,100	13,790	21,660	96,350	9,000	40,030	N/A	N/A	N/A	N/A	SD090AR0*RBC
54	3.90	1.769	13,190	58,670	5,780	25,710	38,090	169,430	16,760	74,550	N/A	N/A	N/A	N/A	SF090AR0*RBC
40	7.20	3.266	18,960	84,340	10,190	45,330	54,720	243,410	29,540	131,400	N/A	N/A	N/A	N/A	SG090AR0*RBC
164	0.50	0.227	3,590	15,970	1,030	4,580	10,370	46,130	3,000	13,340	N/A	N/A	N/A	N/A	SA100AR0*RBC
139	0.73	0.331	4,890	21,750	1,480	6,580	14,120	62,810	4,290	19,080	N/A	N/A	N/A	N/A	SB100AR0*RBC
118	1.06	0.481	6,140	27,310	1,942	8,640	17,730	78,870	5,570	24,780	N/A	N/A	N/A	N/A	SC100AR0*RBC
84	1.88	0.853	8,290	36,880	3,240	14,410	23,940	106,490	9,390	41,770	N/A	N/A	N/A	N/A	SD100AR0*RBC
59	4.30	1.950	14,420	64,140	5,980	26,600	41,620	185,130	17,330	77,090	N/A	N/A	N/A	N/A	SF100AR0*RBC
44	7.90	3.583	20,850	92,750	10,560	46,970	60,190	267,740	30,620	136,200	N/A	N/A	N/A	N/A	SG100AR0*RBC

S-SERIES

Refer to the Engineering section for load and speed limitations.



## ANGULAR CONTACT, A-TYPE THIN SECTION BALL BEARINGS



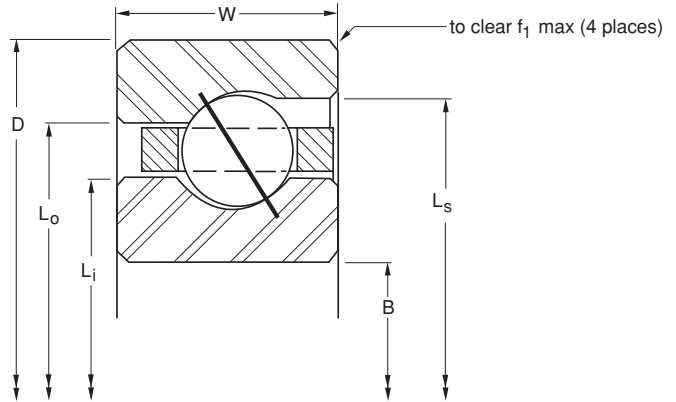
Series: **SAA**    **SA**    **SB**    **SC**    **SD**    **SF**    **SG**  
 Cross Section Size: **3/16"**    **1/4"**    **5/16"**    **3/8"**    **1/2"**    **3/4"**    **1"**

PART NUMBER*	NOMINAL DIMENSIONS														
	B Bore		D Outside Diameter		W Width		Land Diameter			f <sub>1</sub> Housing Fillet		Ball Diameter			
	in.	mm	in.	mm	in.	mm	L <sub>i</sub> -Inner Ring	L <sub>o</sub> -Outer Ring	L <sub>s</sub> -Counter Bore	in.	mm		in.		
SA110ARO*RBC	11.0000	279.400	11.5000	292.100	0.2500	6.350	11.188	284.18	11.313	287.35	11.375	288.93	0.025	0.64	1/8
SB110ARO*RBC	11.0000	279.400	11.6250	295.275	0.3125	7.938	11.234	285.34	11.391	289.33	11.469	291.31	0.032	0.81	5/32
SC110ARO*RBC	11.0000	279.400	11.7500	298.450	0.3750	9.525	11.281	286.54	11.469	291.31	11.563	293.70	0.040	1.02	3/16
SD110ARO*RBC	11.0000	279.400	12.0000	304.800	0.5000	12.700	11.375	288.93	11.625	295.28	11.750	298.45	0.060	1.52	1/4
SF110ARO*RBC	11.0000	279.400	12.5000	317.500	0.7500	19.050	11.563	293.70	11.938	303.23	12.125	307.98	0.080	2.03	3/8
SG110ARO*RBC	11.0000	279.400	13.0000	330.200	1.0000	25.400	11.750	298.45	12.250	311.15	12.500	317.50	0.080	2.03	1/2
SA120ARO*RBC	12.0000	304.800	12.5000	317.500	0.2500	6.350	12.188	309.58	12.313	312.75	12.375	314.33	0.025	0.64	1/8
SB120ARO*RBC	12.0000	304.800	12.6250	320.675	0.3125	7.938	12.234	310.74	12.391	314.73	12.469	316.71	0.032	0.81	5/32
SC120ARO*RBC	12.0000	304.800	12.7500	323.850	0.3750	9.525	12.281	311.94	12.469	316.71	12.563	319.10	0.040	1.02	3/16
SD120ARO*RBC	12.0000	304.800	13.0000	330.200	0.5000	12.700	12.375	314.33	12.625	320.68	12.750	323.85	0.060	1.52	1/4
SF120ARO*RBC	12.0000	304.800	13.5000	342.900	0.7500	19.050	12.563	319.10	12.938	328.63	13.125	333.38	0.080	2.03	3/8
SG120ARO*RBC	12.0000	304.800	14.0000	355.600	1.0000	25.400	12.750	323.85	13.250	336.55	13.500	342.90	0.080	2.03	1/2
SB140ARO*RBC	14.0000	355.600	14.6250	371.475	0.3125	7.938	14.234	361.54	14.391	365.53	14.469	367.51	0.032	0.81	5/32
SC140ARO*RBC	14.0000	355.600	14.7500	374.650	0.3750	9.525	14.281	362.74	14.469	367.51	14.563	369.90	0.040	1.02	3/16
SD140ARO*RBC	14.0000	355.600	15.0000	381.000	0.5000	12.700	14.375	365.13	14.625	371.48	14.750	374.65	0.060	1.52	1/4
SF140ARO*RBC	14.0000	355.600	15.5000	393.700	0.7500	19.050	14.563	369.90	14.938	379.43	15.125	384.18	0.080	2.03	3/8
SG140ARO*RBC	14.0000	355.600	16.0000	406.400	1.0000	25.400	14.750	374.65	15.250	387.35	15.500	393.70	0.080	2.03	1/2
SB160ARO*RBC	16.0000	406.400	16.6250	422.275	0.3125	7.938	16.234	412.34	16.391	416.33	16.469	418.31	0.032	0.81	5/32
SC160ARO*RBC	16.0000	406.400	16.7500	425.450	0.3750	9.525	16.281	413.54	16.469	418.31	16.563	420.70	0.040	1.02	3/16
SD160ARO*RBC	16.0000	406.400	17.0000	431.800	0.5000	12.700	16.375	415.93	16.625	422.28	16.750	425.45	0.060	1.52	1/4
SF160ARO*RBC	16.0000	406.400	17.5000	444.500	0.7500	19.050	16.563	420.70	16.938	430.23	17.125	434.98	0.080	2.03	3/8
SG160ARO*RBC	16.0000	406.400	18.0000	457.200	1.0000	25.400	16.750	425.45	17.250	438.15	17.500	444.50	0.080	2.03	1/2
SB180ARO*RBC	18.0000	457.200	18.6250	473.075	0.3125	7.938	18.234	463.14	18.391	467.13	18.469	469.11	0.032	0.81	5/32
SC180ARO*RBC	18.0000	457.200	18.7500	476.250	0.3750	9.525	18.281	464.34	18.469	469.11	18.563	471.50	0.040	1.02	3/16
SD180ARO*RBC	18.0000	457.200	19.0000	482.600	0.5000	12.700	18.375	466.73	18.625	473.08	18.750	476.25	0.060	1.52	1/4
SF180ARO*RBC	18.0000	457.200	19.5000	495.300	0.7500	19.050	18.563	471.50	18.938	481.03	19.125	485.78	0.080	2.03	3/8
SG180ARO*RBC	18.0000	457.200	20.0000	508.000	1.0000	25.400	18.750	476.25	19.250	488.95	19.500	495.30	0.080	2.03	1/2
SB200ARO*RBC	20.0000	508.000	20.6250	523.875	0.3125	7.938	20.234	513.94	20.391	517.93	20.469	519.91	0.032	0.81	5/32
SC200ARO*RBC	20.0000	508.000	20.7500	527.050	0.3750	9.525	20.281	515.14	20.469	519.91	20.563	522.30	0.040	1.02	3/16
SD200ARO*RBC	20.0000	508.000	21.0000	533.400	0.5000	12.700	20.375	517.53	20.625	523.88	20.750	527.05	0.060	1.52	1/4
SF200ARO*RBC	20.0000	508.000	21.5000	546.100	0.7500	19.050	20.563	522.30	20.938	531.83	21.125	536.58	0.080	2.03	3/8
SG200ARO*RBC	20.0000	508.000	22.0000	558.800	1.0000	25.400	20.750	527.05	21.250	539.75	21.500	546.10	0.080	2.03	1/2
SC250ARO*RBC	25.0000	635.000	25.7500	654.050	0.3750	9.525	25.281	642.14	25.469	646.91	25.563	649.30	0.040	1.02	3/16
SD250ARO*RBC	25.0000	635.000	26.0000	660.400	0.5000	12.700	25.375	644.53	25.625	650.88	25.750	654.05	0.060	1.52	1/4
SF250ARO*RBC	25.0000	635.000	26.5000	673.100	0.7500	19.050	25.563	649.30	25.938	658.83	26.125	663.58	0.080	2.03	3/8
SG250ARO*RBC	25.0000	635.000	27.0000	685.800	1.0000	25.400	25.750	654.05	26.250	666.75	26.500	673.10	0.080	2.03	1/2
SC300ARO*RBC	30.0000	762.000	30.7500	781.050	0.3750	9.525	30.281	769.14	30.469	773.91	30.563	776.30	0.040	1.02	3/16
SD300ARO*RBC	30.0000	762.000	31.0000	787.400	0.5000	12.700	30.375	771.53	30.625	777.88	30.750	781.05	0.060	1.52	1/4
SF300ARO*RBC	30.0000	762.000	31.5000	800.100	0.7500	19.050	30.563	776.30	30.938	785.83	31.125	790.58	0.080	2.03	3/8
SG300ARO*RBC	30.0000	762.000	32.0000	812.800	1.0000	25.400	30.750	781.05	31.250	793.75	31.500	800.10	0.080	2.03	1/2
SF350ARO*RBC	35.0000	889.000	36.5000	927.100	0.7500	19.050	35.563	903.30	35.938	912.83	36.125	917.58	0.080	2.03	3/8
SG350ARO*RBC	35.0000	889.000	37.0000	939.800	1.0000	25.400	35.750	908.05	36.250	920.75	36.500	927.10	0.080	2.03	1/2
SF400ARO*RBC	40.0000	1016.000	41.5000	1054.100	0.7500	19.050	40.563	1030.30	40.938	1039.83	41.125	1044.58	0.080	2.03	3/8
SG400ARO*RBC	40.0000	1016.000	42.0000	1066.800	1.0000	25.400	40.750	1035.05	41.250	1047.75	41.500	1054.10	0.080	2.03	1/2

\*The alphanumeric identification system is used under license.



- 440C Stainless Steel
- Large Diameter
- Light Weight
- Small Cross Section
- Circular Pocket Ball Separator



	Ball Quantity	Approx. Weight		LOAD RATINGS										PART NUMBER*		
				Radial				Thrust				Moment				
				Static		Dynamic		Static		Dynamic		Static			Dynamic	
lbs.	kg	lbf	N	lbf	N	lbf	N	lbf	N	lbf - in	Nm	lbf - in	Nm			
	180	0.52	0.236	3,940	17,530	1,072	4,770	11,380	50,620	3,100	13,790	N/A	N/A	N/A	N/A	SA110AR0*RBC
	152	0.75	0.340	5,350	23,800	1,540	6,850	15,440	68,680	4,350	19,350	N/A	N/A	N/A	N/A	SB110AR0*RBC
	129	1.16	0.526	6,720	29,890	2,047	9,110	19,390	86,250	5,780	25,710	N/A	N/A	N/A	N/A	SC110AR0*RBC
	92	2.06	0.934	9,080	40,390	3,310	14,720	26,220	116,630	9,600	42,700	N/A	N/A	N/A	N/A	SD110AR0*RBC
	65	4.80	2.177	15,880	70,640	6,227	27,700	45,850	203,950	17,870	79,490	N/A	N/A	N/A	N/A	SF110AR0*RBC
	48	8.60	3.901	22,750	101,200	10,920	48,570	65,660	292,070	31,660	140,830	N/A	N/A	N/A	N/A	SG110AR0*RBC
	196	0.56	0.254	4,290	19,080	1,128	5,020	12,390	55,110	3,200	14,230	N/A	N/A	N/A	N/A	SA120AR0*RBC
	166	0.83	0.376	5,840	25,980	1,623	7,220	16,860	75,000	4,510	20,060	N/A	N/A	N/A	N/A	SB120AR0*RBC
	140	1.25	0.567	7,290	32,430	2,147	9,550	21,040	93,590	5,980	26,600	N/A	N/A	N/A	N/A	SC120AR0*RBC
	100	2.25	1.021	9,870	43,900	3,430	15,260	28,500	126,770	9,950	44,260	N/A	N/A	N/A	N/A	SD120AR0*RBC
	70	5.20	2.359	17,100	76,060	6,487	28,860	49,380	219,650	18,340	81,580	N/A	N/A	N/A	N/A	SF120AR0*RBC
	52	9.30	4.218	24,640	109,600	11,230	49,950	71,140	316,450	32,570	144,880	N/A	N/A	N/A	N/A	SG120AR0*RBC
	192	1.05	0.476	6,760	30,070	1,767	7,860	19,500	86,740	4,840	21,530	N/A	N/A	N/A	N/A	SB140AR0*RBC
	163	1.52	0.689	8,490	37,770	2,347	10,440	24,500	108,980	6,330	28,160	N/A	N/A	N/A	N/A	SC140AR0*RBC
	116	2.73	1.238	11,450	50,930	3,582	15,930	33,060	147,060	10,340	45,990	N/A	N/A	N/A	N/A	SD140AR0*RBC
	81	6.00	2.722	19,790	88,030	7,043	31,330	57,140	254,170	19,490	86,700	N/A	N/A	N/A	N/A	SF140AR0*RBC
	60	10.80	4.899	28,430	126,460	11,770	52,360	82,080	365,110	34,150	151,910	N/A	N/A	N/A	N/A	SG140AR0*RBC
	219	1.20	0.544	7,710	34,300	1,907	8,480	22,250	98,970	5,150	22,910	N/A	N/A	N/A	N/A	SB160AR0*RBC
	186	1.73	0.785	9,680	43,060	2,533	11,270	27,950	124,330	6,730	29,940	N/A	N/A	N/A	N/A	SC160AR0*RBC
	132	3.10	1.406	13,030	57,960	3,856	17,150	37,620	167,340	11,030	49,060	N/A	N/A	N/A	N/A	SD160AR0*RBC
	92	7.10	3.221	22,480	100,000	7,563	33,640	64,890	288,650	20,310	90,340	N/A	N/A	N/A	N/A	SF160AR0*RBC
	68	12.30	5.579	32,220	143,320	12,360	54,980	93,020	413,770	35,850	159,470	N/A	N/A	N/A	N/A	SG160AR0*RBC
	246	1.35	0.612	8,660	38,520	2,038	9,070	24,990	111,160	5,510	24,510	N/A	N/A	N/A	N/A	SB180AR0*RBC
	209	1.94	0.880	10,880	48,400	2,707	12,040	31,410	139,720	7,280	32,380	N/A	N/A	N/A	N/A	SC180AR0*RBC
	148	3.48	1.579	14,610	64,990	4,113	18,300	42,180	187,630	11,390	50,670	N/A	N/A	N/A	N/A	SD180AR0*RBC
	104	7.90	3.583	25,410	113,030	8,103	36,040	73,360	326,320	21,210	94,350	N/A	N/A	N/A	N/A	SF180AR0*RBC
	76	13.70	6.214	36,020	160,220	12,898	57,370	104,000	462,620	37,230	165,610	N/A	N/A	N/A	N/A	SG180AR0*RBC
	273	1.50	0.680	9,610	42,750	2,162	9,620	27,730	123,350	5,900	26,240	N/A	N/A	N/A	N/A	SB200AR0*RBC
	231	2.16	0.980	12,030	53,510	2,863	12,740	34,720	154,440	7,780	34,610	N/A	N/A	N/A	N/A	SC200AR0*RBC
	164	3.85	1.746	16,190	72,020	4,356	19,380	46,740	207,910	11,920	53,020	N/A	N/A	N/A	N/A	SD200AR0*RBC
	115	8.90	4.037	28,100	125,000	8,562	38,090	81,120	360,840	22,680	100,890	N/A	N/A	N/A	N/A	SF200AR0*RBC
	84	15.80	7.167	39,810	177,080	13,612	60,550	114,900	511,100	38,830	172,720	N/A	N/A	N/A	N/A	SG200AR0*RBC
	288	2.69	1.220	14,900	66,280	3,233	14,380	43,280	192,520	9,010	40,080	N/A	N/A	N/A	N/A	SC250AR0*RBC
	204	4.79	2.173	20,140	89,590	4,908	21,830	58,140	258,620	13,540	60,230	N/A	N/A	N/A	N/A	SD250AR0*RBC
	142	10.90	4.944	34,700	154,350	9,585	42,640	100,200	445,710	26,100	116,100	N/A	N/A	N/A	N/A	SF250AR0*RBC
	104	19.50	8.845	49,280	219,210	15,239	67,790	142,300	632,980	41,420	184,250	N/A	N/A	N/A	N/A	SG250AR0*RBC
	345	3.21	1.456	17,960	79,890	3,561	15,840	51,850	230,640	10,160	45,190	N/A	N/A	N/A	N/A	SC300AR0*RBC
	244	5.73	2.599	24,090	107,160	5,397	24,010	69,540	309,330	15,260	67,880	N/A	N/A	N/A	N/A	SD300AR0*RBC
	170	13.00	5.897	41,540	184,780	10,533	46,850	119,900	533,340	29,430	130,910	N/A	N/A	N/A	N/A	SF300AR0*RBC
	124	23.30	10.569	58,760	261,380	16,687	74,230	169,600	754,420	46,020	204,710	N/A	N/A	N/A	N/A	SG300AR0*RBC
	198	15.10	6.849	48,380	215,200	11,382	50,630	139,700	621,420	32,580	144,920	N/A	N/A	N/A	N/A	SF350AR0*RBC
	144	27.10	12.292	68,240	303,550	17,982	79,990	197,000	876,300	50,840	226,150	N/A	N/A	N/A	N/A	SG350AR0*RBC
	226	17.20	7.802	55,220	245,630	12,147	54,030	159,400	709,050	35,580	158,270	N/A	N/A	N/A	N/A	SF400AR0*RBC
	164	30.80	13.971	77,720	345,720	19,153	85,200	224,400	998,180	55,440	246,610	N/A	N/A	N/A	N/A	SG400AR0*RBC