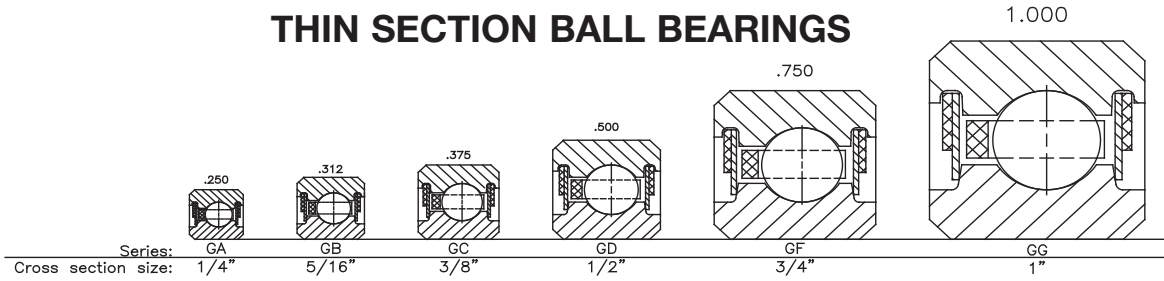




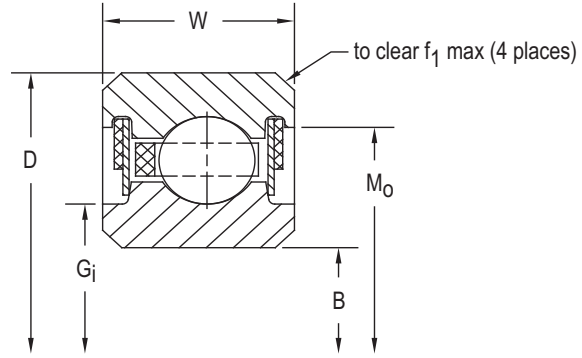
# SEALED (COMBO) RADIAL CONTACT, C-TYPE THIN SECTION BALL BEARINGS



PART NUMBER*	NOMINAL DIMENSIONS												
	B Bore		D Outside Diameter		W Width		G <sub>i</sub> Recess Diameter		M <sub>0</sub> Groove Diameter		f <sub>1</sub> Housing Fillet		Ball Diameter
	in.	mm	in.	mm	in.	mm	in.	mm	in.	mm	in.	mm	in.
GA020CP0*RBC	2.0000	50.800	2.5000	63.500	0.2500	6.350	2.125	53.98	2.343	59.51	0.025	0.64	1/8
GB020CP0*RBC	2.0000	50.800	2.6250	66.675	0.3125	7.938	2.156	54.76	2.430	61.72	0.032	0.81	5/32
GA025CP0*RBC	2.5000	63.500	3.0000	76.200	0.2500	6.350	2.625	66.68	2.843	72.21	0.025	0.64	1/8
GB025CP0*RBC	2.5000	63.500	3.1250	79.375	0.3125	7.938	2.656	67.46	2.930	74.42	0.032	0.81	5/32
GA030CP0*RBC	3.0000	76.200	3.5000	88.900	0.2500	6.350	3.125	79.38	3.343	84.91	0.025	0.64	1/8
GB030CP0*RBC	3.0000	76.200	3.6250	92.075	0.3125	7.938	3.156	80.16	3.430	87.12	0.032	0.81	5/32
GA035CP0*RBC	3.5000	88.900	4.0000	101.600	0.2500	6.350	3.625	92.08	3.843	97.61	0.025	0.64	1/8
GB035CP0*RBC	3.5000	88.900	4.1250	104.775	0.3125	7.938	3.656	92.86	3.930	99.82	0.032	0.81	5/32
GA040CP0*RBC	4.0000	101.600	4.5000	114.300	0.2500	6.350	4.125	104.78	4.343	110.31	0.025	0.64	1/8
GB040CP0*RBC	4.0000	101.600	4.6250	117.475	0.3125	7.938	4.156	105.56	4.430	112.52	0.032	0.81	5/32
GC040CP0*RBC	4.0000	101.600	4.7500	120.650	0.3750	9.525	4.188	106.38	4.516	114.71	0.040	1.02	3/16
GD040CP0*RBC	4.0000	101.600	5.0000	127.000	0.5000	12.700	4.250	107.95	4.687	119.05	0.060	1.52	1/4
GF040CP0*RBC	4.0000	101.600	5.5000	139.700	0.7500	19.050	4.375	111.13	5.031	127.79	0.080	2.03	3/8
GG040CP0*RBC	4.0000	101.600	6.0000	152.400	1.0000	25.400	4.500	114.30	5.375	136.53	0.080	2.03	1/2
GA042CP0*RBC	4.2500	107.950	4.7500	120.650	0.2500	6.350	4.375	111.13	4.593	116.66	0.025	0.64	1/8
GB042CP0*RBC	4.2500	107.950	4.8750	123.825	0.3125	7.938	4.406	111.91	4.680	118.87	0.032	0.81	5/32
GC042CP0*RBC	4.2500	107.950	5.0000	127.000	0.3750	9.525	4.438	112.73	4.766	121.06	0.040	1.02	3/16
GD042CP0*RBC	4.2500	107.950	5.2500	133.350	0.5000	12.700	4.500	114.30	4.937	125.40	0.060	1.52	1/4
GF042CP0*RBC	4.2500	107.950	5.7500	146.050	0.7500	19.050	4.625	117.48	5.281	134.14	0.080	2.03	3/8
GG042CP0*RBC	4.2500	107.950	6.2500	158.750	1.0000	25.400	4.750	120.65	5.590	141.99	0.080	2.03	1/2
GA045CP0*RBC	4.5000	114.300	5.0000	127.000	0.2500	6.350	4.625	117.48	4.843	123.01	0.025	0.64	1/8
GB045CP0*RBC	4.5000	114.300	5.1250	130.175	0.3125	7.938	4.656	118.26	4.930	125.22	0.032	0.81	5/32
GC045CP0*RBC	4.5000	114.300	5.2500	133.350	0.3750	9.525	4.688	119.08	5.016	127.41	0.040	1.02	3/16
GD045CP0*RBC	4.5000	114.300	5.5000	139.700	0.5000	12.700	4.750	120.65	5.187	131.75	0.060	1.52	1/4
GF045CP0*RBC	4.5000	114.300	6.0000	152.400	0.7500	19.050	4.875	123.83	5.531	140.49	0.080	2.03	3/8
GG045CP0*RBC	4.5000	114.300	6.5000	165.100	1.0000	25.400	5.000	127.00	5.875	149.23	0.080	2.03	1/2
GA047CP0*RBC	4.7500	120.650	5.2500	133.350	0.2500	6.350	4.875	123.83	5.093	129.36	0.025	0.64	1/8
GB047CP0*RBC	4.7500	120.650	5.3750	136.525	0.3125	7.938	4.906	124.61	5.180	131.57	0.032	0.81	5/32
GC047CP0*RBC	4.7500	120.650	5.5000	139.700	0.3750	9.525	4.938	125.43	5.266	133.76	0.040	1.02	3/16
GD047CP0*RBC	4.7500	120.650	5.7500	146.050	0.5000	12.700	5.000	127.00	5.437	138.10	0.060	1.52	1/4
GF047CP0*RBC	4.7500	120.650	6.2500	158.750	0.7500	19.050	5.125	130.18	5.781	146.84	0.080	2.03	3/8
GG047CP0*RBC	4.7500	120.650	6.7500	171.450	1.0000	25.400	5.250	133.35	6.090	154.69	0.080	2.03	1/2
GA050CP0*RBC	5.0000	127.000	5.5000	139.700	0.2500	6.350	5.125	130.18	5.343	135.71	0.025	0.64	1/8
GB050CP0*RBC	5.0000	127.000	5.6250	142.875	0.3125	7.938	5.156	130.96	5.430	137.92	0.032	0.81	5/32
GC050CP0*RBC	5.0000	127.000	5.7500	146.050	0.3750	9.525	5.188	131.78	5.516	140.11	0.040	1.02	3/16
GD050CP0*RBC	5.0000	127.000	6.0000	152.400	0.5000	12.700	5.250	133.35	5.687	144.45	0.060	1.52	1/4
GF050CP0*RBC	5.0000	127.000	6.5000	165.100	0.7500	19.050	5.375	136.53	6.031	153.19	0.080	2.03	3/8
GG050CP0*RBC	5.0000	127.000	7.0000	177.800	1.0000	25.400	5.500	139.70	6.375	161.93	0.080	2.03	1/2
GA055CP0*RBC	5.5000	139.700	6.0000	152.400	0.2500	6.350	5.625	142.88	5.843	148.41	0.025	0.64	1/8
GB055CP0*RBC	5.5000	139.700	6.1250	155.575	0.3125	7.938	5.656	143.66	5.930	150.62	0.032	0.81	5/32
GC055CP0*RBC	5.5000	139.700	6.2500	158.750	0.3750	9.525	5.688	144.48	6.016	152.81	0.040	1.02	3/16
GD055CP0*RBC	5.5000	139.700	6.5000	165.100	0.5000	12.700	5.750	146.05	6.187	157.15	0.060	1.52	1/4
GF055CP0*RBC	5.5000	139.700	7.0000	177.800	0.7500	19.050	5.875	149.23	6.531	165.89	0.080	2.03	3/8
GG055CP0*RBC	5.5000	139.700	7.5000	190.500	1.0000	25.400	6.000	152.40	6.875	174.63	0.080	2.03	1/2

\*The alphanumeric identification system is used under license.

- 52100 Steel
- Large Diameter
- Light Weight
- Small Cross Section
- Snap-Over Ball Separator
- Shielded Seals



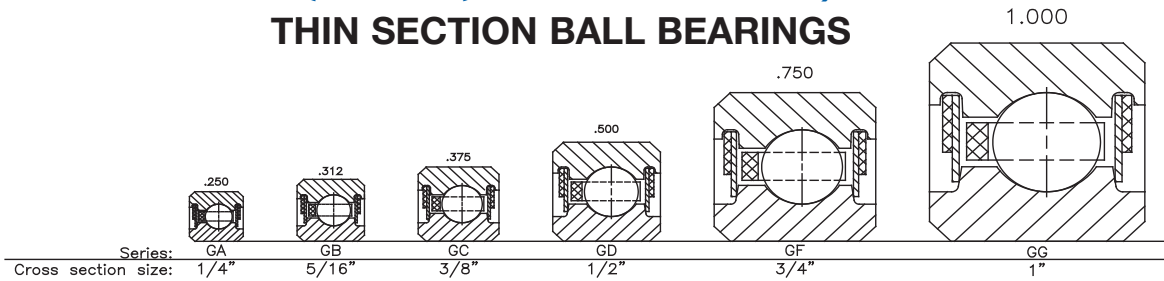
	Ball Quantity	Approx. Weight		LOAD RATINGS												PART NUMBER*
				Radial				Thrust				Moment				
				Static		Dynamic		Static		Dynamic		Static		Dynamic		
				lbf	N	lbf	N	lbf	N	lbf	N	lbf - in	Nm	lbf - in	Nm	
	27	0.10	0.045	680	3,020	560	2,490	N/A	N/A	N/A	N/A	N/A	N/A	N/A	N/A	GA020CP0*RBC
	23	0.16	0.073	930	4,140	800	3,560	N/A	N/A	N/A	N/A	N/A	N/A	N/A	N/A	GB020CP0*RBC
	33	0.13	0.059	830	3,692	610	2,710	N/A	N/A	N/A	N/A	N/A	N/A	N/A	N/A	GA025CP0*RBC
	28	0.20	0.091	1,140	5,070	860	3,830	N/A	N/A	N/A	N/A	N/A	N/A	N/A	N/A	GB025CP0*RBC
	39	0.15	0.068	990	4,404	650	2,890	N/A	N/A	N/A	N/A	N/A	N/A	N/A	N/A	GA030CP0*RBC
	33	0.24	0.109	1,340	5,960	920	4,090	N/A	N/A	N/A	N/A	N/A	N/A	N/A	N/A	GB030CP0*RBC
	45	0.18	0.082	1,140	5,070	690	3,070	N/A	N/A	N/A	N/A	N/A	N/A	N/A	N/A	GA035CP0*RBC
	38	0.27	0.122	1,540	6,850	970	4,310	N/A	N/A	N/A	N/A	N/A	N/A	N/A	N/A	GB035CP0*RBC
	51	0.19	0.086	1,290	5,740	720	3,200	N/A	N/A	N/A	N/A	N/A	N/A	N/A	N/A	GA040CP0*RBC
	43	0.30	0.136	1,750	7,780	1,020	4,540	N/A	N/A	N/A	N/A	N/A	N/A	N/A	N/A	GB040CP0*RBC
	35	0.45	0.204	2,100	9,340	1,290	5,740	N/A	N/A	N/A	N/A	N/A	N/A	N/A	N/A	GC040CP0*RBC
	27	0.78	0.354	3,080	13,700	2,250	10,010	N/A	N/A	N/A	N/A	N/A	N/A	N/A	N/A	GD040CP0*RBC
	19	1.90	0.862	5,360	23,840	3,940	17,530	N/A	N/A	N/A	N/A	N/A	N/A	N/A	N/A	GF040CP0*RBC
	15	3.60	1.633	8,210	36,520	6,700	29,800	N/A	N/A	N/A	N/A	N/A	N/A	N/A	N/A	GG040CP0*RBC
	54	0.20	0.091	1,370	6,010	730	3,250	N/A	N/A	N/A	N/A	N/A	N/A	N/A	N/A	GA042CP0*RBC
	45	0.31	0.141	1,830	8,140	1,030	4,580	N/A	N/A	N/A	N/A	N/A	N/A	N/A	N/A	GB042CP0*RBC
	37	0.47	0.213	2,220	9,880	1,320	5,870	N/A	N/A	N/A	N/A	N/A	N/A	N/A	N/A	GC042CP0*RBC
	28	0.83	0.376	3,190	14,190	2,270	10,100	N/A	N/A	N/A	N/A	N/A	N/A	N/A	N/A	GD042CP0*RBC
	20	2.00	0.907	5,640	25,090	4,070	18,100	N/A	N/A	N/A	N/A	N/A	N/A	N/A	N/A	GF042CP0*RBC
	15	3.80	1.724	8,210	36,520	6,700	29,800	N/A	N/A	N/A	N/A	N/A	N/A	N/A	N/A	GG042CP0*RBC
	57	0.22	0.100	1,440	6,410	750	3,340	N/A	N/A	N/A	N/A	N/A	N/A	N/A	N/A	GA045CP0*RBC
	48	0.33	0.150	1,950	8,670	1,060	4,720	N/A	N/A	N/A	N/A	N/A	N/A	N/A	N/A	GB045CP0*RBC
	39	0.48	0.218	2,340	10,410	1,350	6,010	N/A	N/A	N/A	N/A	N/A	N/A	N/A	N/A	GC045CP0*RBC
	30	0.88	0.399	3,420	15,210	2,350	10,450	N/A	N/A	N/A	N/A	N/A	N/A	N/A	N/A	GD045CP0*RBC
	21	2.10	0.953	5,930	26,380	4,210	18,730	N/A	N/A	N/A	N/A	N/A	N/A	N/A	N/A	GF045CP0*RBC
	16	4.00	1.814	8,760	38,970	7,000	31,140	N/A	N/A	N/A	N/A	N/A	N/A	N/A	N/A	GG045CP0*RBC
	60	0.23	0.104	1,520	6,760	760	3,380	N/A	N/A	N/A	N/A	N/A	N/A	N/A	N/A	GA047CP0*RBC
	50	0.34	0.154	2,030	9,030	1,070	4,760	N/A	N/A	N/A	N/A	N/A	N/A	N/A	N/A	GB047CP0*RBC
	41	0.50	0.227	2,460	10,940	1,370	6,090	N/A	N/A	N/A	N/A	N/A	N/A	N/A	N/A	GC047CP0*RBC
	31	0.94	0.426	3,530	15,700	2,360	10,500	N/A	N/A	N/A	N/A	N/A	N/A	N/A	N/A	GD047CP0*RBC
	22	2.20	0.998	6,210	27,620	4,310	19,170	N/A	N/A	N/A	N/A	N/A	N/A	N/A	N/A	GF047CP0*RBC
	17	4.10	1.860	9,300	41,370	7,290	32,430	N/A	N/A	N/A	N/A	N/A	N/A	N/A	N/A	GG047CP0*RBC
	63	0.24	0.109	1,590	7,070	770	3,430	N/A	N/A	N/A	N/A	N/A	N/A	N/A	N/A	GA050CP0*RBC
	53	0.38	0.172	2,150	9,560	1,100	4,890	N/A	N/A	N/A	N/A	N/A	N/A	N/A	N/A	GB050CP0*RBC
	43	0.58	0.263	2,590	11,520	1,390	6,180	N/A	N/A	N/A	N/A	N/A	N/A	N/A	N/A	GC050CP0*RBC
	33	1.00	0.454	3,760	16,730	2,430	10,810	N/A	N/A	N/A	N/A	N/A	N/A	N/A	N/A	GD050CP0*RBC
	23	2.30	1.043	6,490	28,870	4,380	19,480	N/A	N/A	N/A	N/A	N/A	N/A	N/A	N/A	GF050CP0*RBC
	18	4.30	1.950	9,850	43,810	7,570	33,670	N/A	N/A	N/A	N/A	N/A	N/A	N/A	N/A	GG050CP0*RBC
	69	0.25	0.113	1,750	7,780	800	3,560	N/A	N/A	N/A	N/A	N/A	N/A	N/A	N/A	GA055CP0*RBC
	58	0.41	0.186	2,360	10,500	1,130	5,030	N/A	N/A	N/A	N/A	N/A	N/A	N/A	N/A	GB055CP0*RBC
	47	0.59	0.268	2,830	12,590	1,440	6,410	N/A	N/A	N/A	N/A	N/A	N/A	N/A	N/A	GC055CP0*RBC
	36	1.06	0.481	4,100	18,240	2,510	11,170	N/A	N/A	N/A	N/A	N/A	N/A	N/A	N/A	GD055CP0*RBC
	25	2.50	1.134	7,050	31,360	4,540	20,190	N/A	N/A	N/A	N/A	N/A	N/A	N/A	N/A	GF055CP0*RBC
	19	4.70	2.132	10,400	46,260	7,850	34,920	N/A	N/A	N/A	N/A	N/A	N/A	N/A	N/A	GG055CP0*RBC

G-SERIES

Refer to the Engineering section for load and speed limitations.



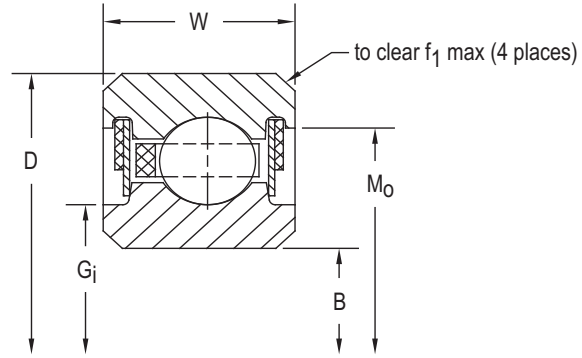
# SEALED (COMBO) RADIAL CONTACT, C-TYPE THIN SECTION BALL BEARINGS



PART NUMBER*	NOMINAL DIMENSIONS												
	B Bore		D Outside Diameter		W Width		G <sub>i</sub> Recess Diameter		M <sub>o</sub> Groove Diameter		f <sub>1</sub> Housing Fillet		Ball Diameter
	in.	mm	in.	mm	in.	mm	in.	mm	in.	mm	in.	mm	in.
GA060CP0*RBC	6.0000	152.400	6.5000	165.100	0.2500	6.350	6.125	155.58	6.343	161.11	0.025	0.64	1/8
GB060CP0*RBC	6.0000	152.400	6.6250	168.275	0.3125	7.938	6.155	156.34	6.430	163.32	0.032	0.81	5/32
GC060CP0*RBC	6.0000	152.400	6.7500	171.450	0.3750	9.525	6.188	157.18	6.516	165.51	0.040	1.02	3/16
GD060CP0*RBC	6.0000	152.400	7.0000	177.800	0.5000	12.700	6.250	158.75	6.687	169.85	0.060	1.52	1/4
GF060CP0*RBC	6.0000	152.400	7.5000	190.500	0.7500	19.050	6.375	161.93	7.031	178.59	0.080	2.03	3/8
GG060CP0*RBC	6.0000	152.400	8.0000	203.200	1.0000	25.400	6.500	165.10	7.375	187.33	0.080	2.03	1/2
GA065CP0*RBC	6.5000	165.100	7.0000	177.800	0.2500	6.350	6.625	168.28	6.843	173.81	0.025	0.64	1/8
GB065CP0*RBC	6.5000	165.100	7.1250	180.975	0.3125	7.938	6.656	169.06	6.930	176.02	0.032	0.81	5/32
GC065CP0*RBC	6.5000	165.100	7.2500	184.150	0.3750	9.525	6.688	169.88	7.016	178.21	0.040	1.02	3/16
GD065CP0*RBC	6.5000	165.100	7.5000	190.500	0.5000	12.700	6.750	171.45	7.187	182.55	0.060	1.52	1/4
GF065CP0*RBC	6.5000	165.100	8.0000	203.200	0.7500	19.050	6.875	174.63	7.531	191.29	0.080	2.03	3/8
GG065CP0*RBC	6.5000	165.100	8.5000	215.900	1.0000	25.400	7.000	177.80	7.875	200.03	0.080	2.03	1/2
GA070CP0*RBC	7.0000	177.800	7.5000	190.500	0.2500	6.350	7.125	180.98	7.343	186.51	0.025	0.64	1/8
GB070CP0*RBC	7.0000	177.800	7.6250	193.675	0.3125	7.938	7.156	181.76	7.430	188.72	0.032	0.81	5/32
GC070CP0*RBC	7.0000	177.800	7.7500	196.850	0.3750	9.525	7.188	182.58	7.516	190.91	0.040	1.02	3/16
GD070CP0*RBC	7.0000	177.800	8.0000	203.200	0.5000	12.700	7.250	184.15	7.687	195.25	0.060	1.52	1/4
GF070CP0*RBC	7.0000	177.800	8.5000	215.900	0.7500	19.050	7.375	187.33	8.031	203.99	0.080	2.03	3/8
GG070CP0*RBC	7.0000	177.800	9.0000	228.600	1.0000	25.400	7.500	190.50	8.375	212.73	0.080	2.03	1/2
GA075CP0*RBC	7.5000	190.500	8.0000	203.200	0.2500	6.350	7.625	193.68	7.843	199.21	0.025	0.64	1/8
GB075CP0*RBC	7.5000	190.500	8.1250	206.375	0.3125	7.938	7.656	194.46	7.930	201.42	0.032	0.81	5/32
GC075CP0*RBC	7.5000	190.500	8.2500	209.550	0.3750	9.525	7.688	195.28	8.016	203.61	0.040	1.02	3/16
GD075CP0*RBC	7.5000	190.500	8.5000	215.900	0.5000	12.700	7.750	196.85	8.187	207.95	0.060	1.52	1/4
GF075CP0*RBC	7.5000	190.500	9.0000	228.600	0.7500	19.050	7.875	200.03	8.531	216.69	0.080	2.03	3/8
GG075CP0*RBC	7.5000	190.500	9.5000	241.300	1.0000	25.400	8.000	203.20	8.875	225.43	0.080	2.03	1/2
GA080CP0*RBC	8.0000	203.200	8.5000	215.900	0.2500	6.350	8.125	206.38	8.343	211.91	0.025	0.64	1/8
GB080CP0*RBC	8.0000	203.200	8.6250	219.075	0.3125	7.938	8.156	207.16	8.430	214.12	0.032	0.81	5/32
GC080CP0*RBC	8.0000	203.200	8.7500	222.250	0.3750	9.525	8.188	207.98	8.516	216.31	0.040	1.02	3/16
GD080CP0*RBC	8.0000	203.200	9.0000	228.600	0.5000	12.700	8.250	209.55	8.687	220.65	0.060	1.52	1/4
GF080CP0*RBC	8.0000	203.200	9.5000	241.300	0.7500	19.050	8.375	212.73	9.031	229.39	0.080	2.03	3/8
GG080CP0*RBC	8.0000	203.200	10.0000	254.000	1.0000	25.400	8.500	215.90	9.375	238.13	0.080	2.03	1/2
GA090CP0*RBC	9.0000	228.600	9.5000	241.300	0.2500	6.350	9.125	231.78	9.343	237.31	0.025	0.64	1/8
GB090CP0*RBC	9.0000	228.600	9.6250	244.475	0.3125	7.938	9.156	232.56	9.430	239.52	0.032	0.81	5/32
GC090CP0*RBC	9.0000	228.600	9.7500	247.650	0.3750	9.525	9.188	233.38	9.516	241.71	0.040	1.02	3/16
GD090CP0*RBC	9.0000	228.600	10.0000	254.000	0.5000	12.700	9.250	234.95	9.687	246.05	0.060	1.52	1/4
GF090CP0*RBC	9.0000	228.600	10.5000	266.700	0.7500	19.050	9.375	238.13	10.031	254.79	0.080	2.03	3/8
GG090CP0*RBC	9.0000	228.600	11.0000	279.400	1.0000	25.400	9.500	241.30	10.375	263.53	0.080	2.03	1/2
GA100CP0*RBC	10.0000	254.000	10.5000	266.700	0.2500	6.350	10.125	257.18	10.343	262.71	0.025	0.64	1/8
GB100CP0*RBC	10.0000	254.000	10.6250	269.875	0.3125	7.938	10.156	257.96	10.430	264.92	0.032	0.81	5/32
GC100CP0*RBC	10.0000	254.000	10.7500	273.050	0.3750	9.525	10.188	258.78	10.516	267.11	0.040	1.02	3/16
GD100CP0*RBC	10.0000	254.000	11.0000	279.400	0.5000	12.700	10.250	260.35	10.687	271.45	0.060	1.52	1/4
GF100CP0*RBC	10.0000	254.000	11.5000	292.100	0.7500	19.050	10.375	263.53	11.031	280.91	0.080	2.03	3/8
GG100CP0*RBC	10.0000	254.000	12.0000	304.800	1.0000	25.400	10.500	266.70	11.375	288.93	0.080	2.03	1/2
GA110CP0*RBC	11.0000	279.400	11.5000	292.100	0.2500	6.350	11.125	282.58	11.343	288.11	0.025	0.64	1/8
GB110CP0*RBC	11.0000	279.400	11.6250	295.275	0.3125	7.938	11.156	283.36	11.430	290.32	0.032	0.81	5/32

\*The alphanumeric identification system is used under license.

- 52100 Steel
- Large Diameter
- Light Weight
- Small Cross Section
- Snap-Over Ball Separator
- Shielded Seals



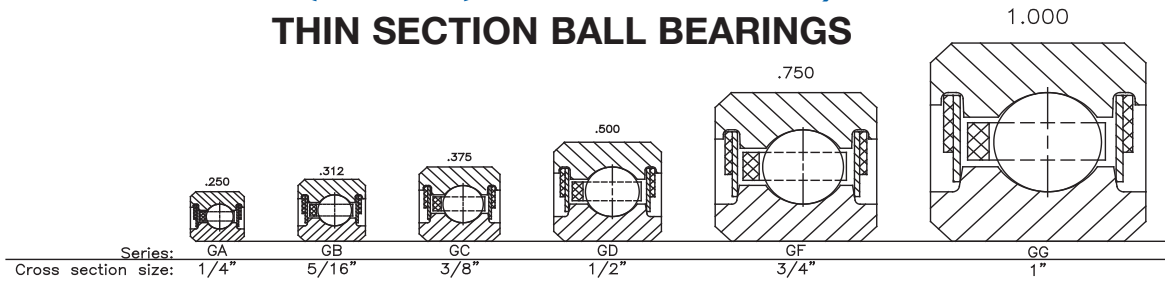
	Ball Quantity	Approx. Weight		LOAD RATINGS												PART NUMBER*
				Radial				Thrust				Moment				
				Static		Dynamic		Static		Dynamic		Static		Dynamic		
				lbf	N	lbf	N	lbf	N	lbf	N	lbf - in	Nm	lbf - in	Nm	
	75	0.28	0.127	1,900	8,450	830	3,690	N/A	N/A	N/A	N/A	N/A	N/A	N/A	N/A	GA060CP0*RBC
	63	0.44	0.200	2,560	11,390	1,170	5,200	N/A	N/A	N/A	N/A	N/A	N/A	N/A	N/A	GB060CP0*RBC
	51	0.63	0.286	3,070	13,660	1,490	6,630	N/A	N/A	N/A	N/A	N/A	N/A	N/A	N/A	GC060CP0*RBC
	39	1.16	0.526	4,450	19,790	2,580	11,480	N/A	N/A	N/A	N/A	N/A	N/A	N/A	N/A	GD060CP0*RBC
	27	2.70	1.225	7,620	33,900	4,660	20,730	N/A	N/A	N/A	N/A	N/A	N/A	N/A	N/A	GF060CP0*RBC
	21	5.10	2.313	11,490	51,110	8,390	37,320	N/A	N/A	N/A	N/A	N/A	N/A	N/A	N/A	GG060CP0*RBC
	81	0.30	0.136	2,050	9,120	850	3,780	N/A	N/A	N/A	N/A	N/A	N/A	N/A	N/A	GA065CP0*RBC
	68	0.47	0.213	2,760	12,280	1,200	5,340	N/A	N/A	N/A	N/A	N/A	N/A	N/A	N/A	GB065CP0*RBC
	55	0.68	0.308	3,310	14,720	1,530	6,810	N/A	N/A	N/A	N/A	N/A	N/A	N/A	N/A	GC065CP0*RBC
	42	1.22	0.553	4,790	21,310	2,650	11,790	N/A	N/A	N/A	N/A	N/A	N/A	N/A	N/A	GD065CP0*RBC
	29	2.90	1.315	8,180	36,390	4,790	21,310	N/A	N/A	N/A	N/A	N/A	N/A	N/A	N/A	GF065CP0*RBC
	22	5.40	2.449	12,040	53,560	8,520	37,900	N/A	N/A	N/A	N/A	N/A	N/A	N/A	N/A	GG065CP0*RBC
	87	0.31	0.141	2,200	9,790	870	3,870	N/A	N/A	N/A	N/A	N/A	N/A	N/A	N/A	GA070CP0*RBC
	73	0.50	0.227	2,970	13,210	1,240	5,520	N/A	N/A	N/A	N/A	N/A	N/A	N/A	N/A	GB070CP0*RBC
	59	0.73	0.331	3,550	15,790	1,570	6,980	N/A	N/A	N/A	N/A	N/A	N/A	N/A	N/A	GC070CP0*RBC
	45	1.31	0.594	5,130	22,820	2,730	12,140	N/A	N/A	N/A	N/A	N/A	N/A	N/A	N/A	GD070CP0*RBC
	31	3.20	1.451	8,750	38,920	4,920	21,890	N/A	N/A	N/A	N/A	N/A	N/A	N/A	N/A	GF070CP0*RBC
	24	5.80	2.631	13,130	58,410	8,880	39,500	N/A	N/A	N/A	N/A	N/A	N/A	N/A	N/A	GG070CP0*RBC
	93	0.34	0.154	2,350	10,450	890	3,960	N/A	N/A	N/A	N/A	N/A	N/A	N/A	N/A	GA075CP0*RBC
	78	0.53	0.240	3,170	14,100	1,280	5,690	N/A	N/A	N/A	N/A	N/A	N/A	N/A	N/A	GB075CP0*RBC
	63	0.78	0.354	3,790	16,860	1,600	7,120	N/A	N/A	N/A	N/A	N/A	N/A	N/A	N/A	GC075CP0*RBC
	48	1.41	0.640	5,470	24,330	2,800	12,460	N/A	N/A	N/A	N/A	N/A	N/A	N/A	N/A	GD075CP0*RBC
	33	3.40	1.542	9,310	41,410	5,040	22,420	N/A	N/A	N/A	N/A	N/A	N/A	N/A	N/A	GF075CP0*RBC
	25	6.10	2.767	13,680	60,850	8,960	39,860	N/A	N/A	N/A	N/A	N/A	N/A	N/A	N/A	GG075CP0*RBC
	99	0.38	0.172	2,500	11,120	910	4,050	N/A	N/A	N/A	N/A	N/A	N/A	N/A	N/A	GA080CP0*RBC
	83	0.57	0.259	3,370	14,990	1,280	5,690	N/A	N/A	N/A	N/A	N/A	N/A	N/A	N/A	GB080CP0*RBC
	67	0.84	0.381	4,030	17,930	1,650	7,340	N/A	N/A	N/A	N/A	N/A	N/A	N/A	N/A	GC080CP0*RBC
	51	1.53	0.694	5,810	25,840	2,860	12,720	N/A	N/A	N/A	N/A	N/A	N/A	N/A	N/A	GD080CP0*RBC
	35	3.50	1.588	9,880	43,950	5,140	22,860	N/A	N/A	N/A	N/A	N/A	N/A	N/A	N/A	GF080CP0*RBC
	27	6.50	2.948	14,770	65,700	9,300	41,370	N/A	N/A	N/A	N/A	N/A	N/A	N/A	N/A	GG080CP0*RBC
	111	0.44	0.200	2,810	12,500	940	4,180	N/A	N/A	N/A	N/A	N/A	N/A	N/A	N/A	GA090CP0*RBC
	93	0.66	0.299	3,780	16,810	1,330	5,920	N/A	N/A	N/A	N/A	N/A	N/A	N/A	N/A	GB090CP0*RBC
	75	0.94	0.426	4,510	20,060	1,730	7,700	N/A	N/A	N/A	N/A	N/A	N/A	N/A	N/A	GC090CP0*RBC
	57	1.72	0.780	6,500	28,910	2,970	13,210	N/A	N/A	N/A	N/A	N/A	N/A	N/A	N/A	GD090CP0*RBC
	39	3.90	1.769	11,000	48,930	5,360	23,840	N/A	N/A	N/A	N/A	N/A	N/A	N/A	N/A	GF090CP0*RBC
	30	7.20	3.266	16,420	73,040	9,720	43,240	N/A	N/A	N/A	N/A	N/A	N/A	N/A	N/A	GG090CP0*RBC
	123	0.50	0.227	3,110	13,830	990	4,400	N/A	N/A	N/A	N/A	N/A	N/A	N/A	N/A	GA100CP0*RBC
	103	0.73	0.331	4,190	18,640	1,400	6,230	N/A	N/A	N/A	N/A	N/A	N/A	N/A	N/A	GB100CP0*RBC
	83	1.06	0.481	4,990	22,200	1,781	7,920	N/A	N/A	N/A	N/A	N/A	N/A	N/A	N/A	GC100CP0*RBC
	63	1.88	0.853	7,180	31,940	3,070	13,660	N/A	N/A	N/A	N/A	N/A	N/A	N/A	N/A	GD100CP0*RBC
	43	4.30	1.950	12,130	53,960	5,550	24,690	N/A	N/A	N/A	N/A	N/A	N/A	N/A	N/A	GF100CP0*RBC
	33	7.90	3.583	18,060	80,330	10,040	44,660	N/A	N/A	N/A	N/A	N/A	N/A	N/A	N/A	GG100CP0*RBC
	135	0.52	0.236	3,410	15,170	1,030	4,580	N/A	N/A	N/A	N/A	N/A	N/A	N/A	N/A	GA110CP0*RBC
	113	0.75	0.340	4,590	20,420	1,464	6,510	N/A	N/A	N/A	N/A	N/A	N/A	N/A	N/A	GB110CP0*RBC

G-SERIES

Refer to the Engineering section for load and speed limitations.



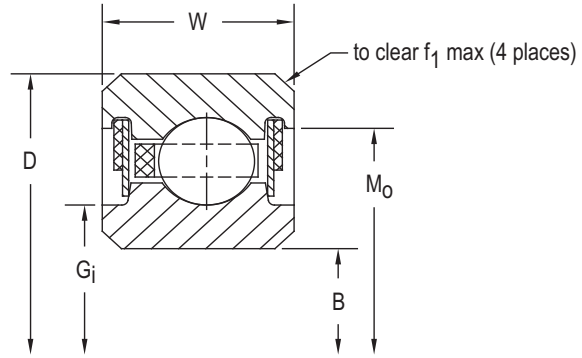
## SEALED (COMBO) RADIAL CONTACT, C-TYPE THIN SECTION BALL BEARINGS



PART NUMBER*	NOMINAL DIMENSIONS												
	B Bore		D Outside Diameter		W Width		G <sub>i</sub> Recess Diameter		M <sub>o</sub> Groove Diameter		f <sub>1</sub> Housing Fillet		Ball Diameter
	in.	mm	in.	mm	in.	mm	in.	mm	in.	mm	in.	mm	in.
GC110CP0*RBC	11.0000	279.400	11.7500	298.450	0.3750	9.525	11.188	284.18	11.188	284.18	0.040	1.02	3/16
GD110CP0*RBC	11.0000	279.400	12.0000	304.800	0.5000	12.700	11.250	285.75	11.250	285.75	0.060	1.52	1/4
GF110CP0*RBC	11.0000	279.400	12.5000	317.500	0.7500	19.050	11.375	288.93	11.375	288.93	0.080	2.03	3/8
GG110CP0*RBC	11.0000	279.400	13.0000	330.200	1.0000	25.400	11.500	292.10	11.500	292.10	0.080	2.03	1/2
GA120CP0*RBC	12.0000	304.800	12.5000	317.500	0.2500	6.350	12.125	307.98	12.125	307.98	0.025	0.64	1/8
GB120CP0*RBC	12.0000	304.800	12.6250	320.675	0.3125	7.938	12.156	308.76	12.156	308.76	0.032	0.81	5/32
GC120CP0*RBC	12.0000	304.800	12.7500	323.850	0.3750	9.525	12.188	309.58	12.188	309.58	0.040	1.02	3/16
GD120CP0*RBC	12.0000	304.800	13.0000	330.200	0.5000	12.700	12.250	311.15	12.250	311.15	0.060	1.52	1/4
GF120CP0*RBC	12.0000	304.800	13.5000	342.900	0.7500	19.050	12.375	314.31	12.375	314.31	0.080	2.03	3/8
GG120CP0*RBC	12.0000	304.800	14.0000	355.600	1.0000	25.400	12.500	317.50	12.500	317.50	0.080	2.03	1/2

\*The alphanumeric identification system is used under license.  
Contact your RBC Sales Engineer for sizes above 12.00" Bore.

- 52100 Steel
- Large Diameter
- Light Weight
- Small Cross Section
- Snap-Over Ball Separator
- Shielded Seals



	Ball Quantity	Approx. Weight		LOAD RATINGS												PART NUMBER*
				Radial				Thrust				Moment				
				Static		Dynamic		Static		Dynamic		Static		Dynamic		
lbs.	kg	lbf	N	lbf	N	lbf	N	lbf	N	lbf - in	Nm	lbf - in	Nm			
	91	1.16	0.526	5,470	24,330	1,879	8,360	N/A	N/A	N/A	N/A	N/A	N/A	N/A	N/A	GC110CP0*RBC
	69	2.06	0.934	7,870	35,010	3,180	14,150	N/A	N/A	N/A	N/A	N/A	N/A	N/A	N/A	GD110CP0*RBC
	47	4.80	2.177	13,260	58,980	5,833	25,950	N/A	N/A	N/A	N/A	N/A	N/A	N/A	N/A	GF110CP0*RBC
	36	8.60	3.901	19,700	87,630	10,360	46,080	N/A	N/A	N/A	N/A	N/A	N/A	N/A	N/A	GG110CP0*RBC
	147	0.56	0.254	3,720	16,550	1,078	4,800	N/A	N/A	N/A	N/A	N/A	N/A	N/A	N/A	GA120CP0*RBC
	123	0.83	0.376	5,000	22,240	1,539	6,850	N/A	N/A	N/A	N/A	N/A	N/A	N/A	N/A	GB120CP0*RBC
	99	1.25	0.567	5,950	26,470	1,974	8,780	N/A	N/A	N/A	N/A	N/A	N/A	N/A	N/A	GC120CP0*RBC
	75	2.25	1.021	8,550	38,030	3,320	14,770	N/A	N/A	N/A	N/A	N/A	N/A	N/A	N/A	GD120CP0*RBC
	51	5.20	2.359	14,390	64,010	6,105	27,160	N/A	N/A	N/A	N/A	N/A	N/A	N/A	N/A	GF120CP0*RBC
	39	9.30	4.218	21,340	94,930	10,690	47,550	N/A	N/A	N/A	N/A	N/A	N/A	N/A	N/A	GG120CP0*RBC

G-SERIES

Refer to the Engineering section for load and speed limitations.