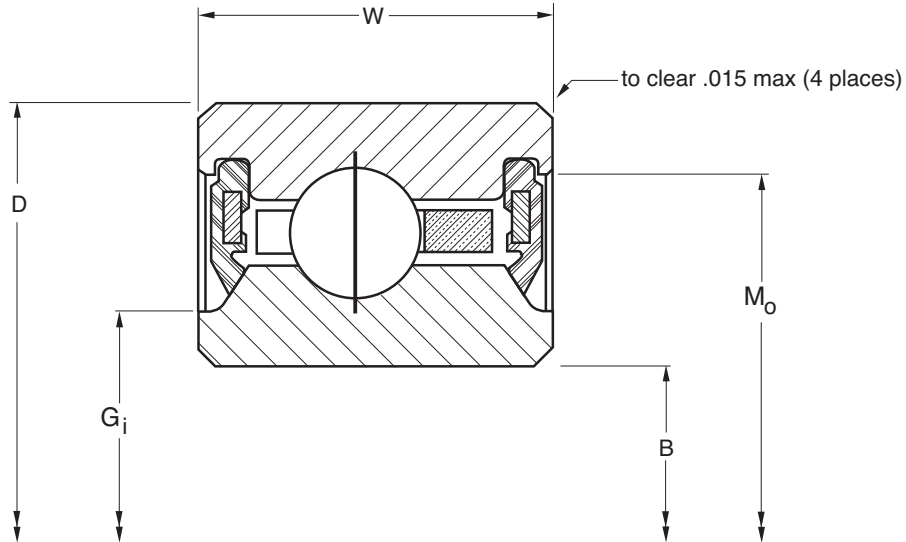


# SEALED (MOLDED) RADIAL CONTACT, C-TYPE JU-SERIES THIN SECTION BALL BEARINGS



PART NUMBER*	NOMINAL DIMENSIONS											
	B Bore		D Outside Diameter		W Width		G <sub>i</sub> Recess Diameter		M <sub>o</sub> Groove Diameter		Ball Diameter	Ball Quantity
	in.	mm	in.	mm	in.	mm	in.	mm	in.	mm	in.	
JU040CP0*RBC	4.0000	101.600	4.7500	120.650	0.5000	12.700	4.155	105.54	4.550	115.57	3/16	35
JU042CP0*RBC	4.2500	107.950	5.0000	127.000	0.5000	12.700	4.405	111.89	4.800	121.92	3/16	37
JU045CP0*RBC	4.5000	114.300	5.2500	133.350	0.5000	12.700	4.655	118.24	5.050	128.27	3/16	39
JU047CP0*RBC	4.7500	120.650	5.5000	139.700	0.5000	12.700	4.905	124.59	5.300	134.62	3/16	41
JU050CP0*RBC	5.0000	127.000	5.7500	146.050	0.5000	12.700	5.155	130.94	5.550	140.97	3/16	43
JU055CP0*RBC	5.5000	139.700	6.2500	158.750	0.5000	12.700	5.655	143.64	6.050	153.67	3/16	47
JU060CP0*RBC	6.0000	152.400	6.7500	171.450	0.5000	12.700	6.155	156.34	6.550	166.37	3/16	51
JU065CP0*RBC	6.5000	165.100	7.2500	184.150	0.5000	12.700	6.655	169.04	7.050	179.07	3/16	55
JU070CP0*RBC	7.0000	177.800	7.7500	196.850	0.5000	12.700	7.155	181.74	7.550	191.77	3/16	59
JU075CP0*RBC	7.5000	190.500	8.2500	209.550	0.5000	12.700	7.655	194.44	8.050	204.47	3/16	63
JU080CP0*RBC	8.0000	203.200	8.7500	222.250	0.5000	12.700	8.155	207.14	8.550	217.17	3/16	67
JU090CP0*RBC	9.0000	228.600	9.7500	247.650	0.5000	12.700	9.155	232.54	9.550	242.57	3/16	75
JU100CP0*RBC	10.0000	254.000	10.7500	273.050	0.5000	12.700	10.155	257.94	10.550	267.97	3/16	83
JU110CP0*RBC	11.0000	279.400	11.7500	298.450	0.5000	12.700	11.155	283.34	11.550	293.37	3/16	91
JU120CP0*RBC	12.0000	304.800	12.7500	323.850	0.5000	12.700	12.155	308.74	12.550	318.77	3/16	99

\*The alphanumeric identification system is used under license.

- 52100 Steel
- Large Diameter
- Light Weight
- Small Cross Section
- Snap-Over Ball Separator
- Sealed



JU-SERIES

	Approx. Weight		LOAD RATINGS										PART NUMBER*		
			Radial				Thrust				Moment				
			Static		Dynamic		Static		Dynamic		Static			Dynamic	
lbs.	kg	lbf	N	lbf	N	lbf	N	lbf	N	lbf - in	Nm	lbf - in	Nm		
	0.55	0.249	2,100	9,340	1,290	5,740	N/A	N/A	N/A	N/A	N/A	N/A	N/A	N/A	JU040CP0*RBC
	0.58	0.263	2,220	9,880	1,320	5,870	N/A	N/A	N/A	N/A	N/A	N/A	N/A	N/A	JU042CP0*RBC
	0.61	0.277	2,340	10,410	1,350	6,010	N/A	N/A	N/A	N/A	N/A	N/A	N/A	N/A	JU045CP0*RBC
	0.65	0.295	2,460	10,940	1,370	6,090	N/A	N/A	N/A	N/A	N/A	N/A	N/A	N/A	JU047CP0*RBC
	0.68	0.308	2,590	11,520	1,390	6,180	N/A	N/A	N/A	N/A	N/A	N/A	N/A	N/A	JU050CP0*RBC
	0.74	0.336	2,830	12,590	1,440	6,410	N/A	N/A	N/A	N/A	N/A	N/A	N/A	N/A	JU055CP0*RBC
	0.81	0.367	3,070	13,660	1,490	6,630	N/A	N/A	N/A	N/A	N/A	N/A	N/A	N/A	JU060CP0*RBC
	0.87	0.395	3,310	14,720	1,530	6,810	N/A	N/A	N/A	N/A	N/A	N/A	N/A	N/A	JU065CP0*RBC
	0.93	0.422	3,550	15,790	1,570	6,980	N/A	N/A	N/A	N/A	N/A	N/A	N/A	N/A	JU070CP0*RBC
	0.99	0.449	3,790	16,860	1,600	7,120	N/A	N/A	N/A	N/A	N/A	N/A	N/A	N/A	JU075CP0*RBC
	1.06	0.481	4,030	17,930	1,650	7,340	N/A	N/A	N/A	N/A	N/A	N/A	N/A	N/A	JU080CP0*RBC
	1.18	0.535	4,510	20,060	1,730	7,700	N/A	N/A	N/A	N/A	N/A	N/A	N/A	N/A	JU090CP0*RBC
	1.31	0.594	4,990	22,200	1,781	7,920	N/A	N/A	N/A	N/A	N/A	N/A	N/A	N/A	JU100CP0*RBC
	1.43	0.649	5,470	24,330	1,879	8,360	N/A	N/A	N/A	N/A	N/A	N/A	N/A	N/A	JU110CP0*RBC
	1.56	0.708	5,950	26,470	1,974	8,780	N/A	N/A	N/A	N/A	N/A	N/A	N/A	N/A	JU120CP0*RBC

Refer to the Engineering section for load and speed limitations.