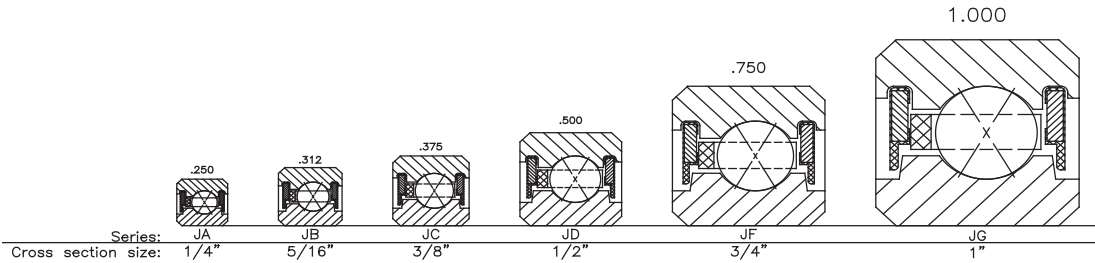




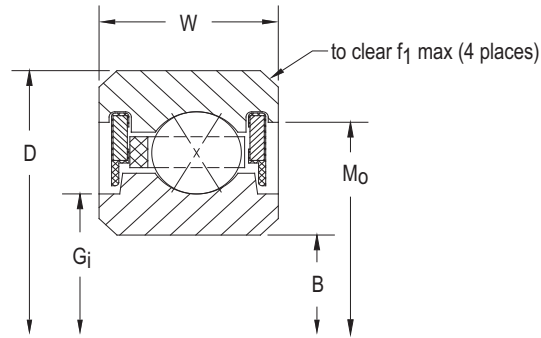
SEALED (MOLDED) 4-POINT CONTACT, X-TYPE THIN SECTION BALL BEARINGS



PART NUMBER*	NOMINAL DIMENSIONS												
	B Bore		D Outside Diameter		W Width		G _i Recess Diameter		M _o Groove Diameter		f ₁ Housing Fillet		Ball Diameter
	in.	mm	in.	mm	in.	mm	in.	mm	in.	mm	in.	mm	in.
JA020XP0*RBC	2.0000	50.800	2.5000	63.500	0.2500	6.350	2.125	53.98	2.343	59.51	0.025	0.64	1/8
JB020XP0*RBC	2.0000	50.800	2.6250	66.675	0.3125	7.938	2.156	54.76	2.430	61.72	0.032	0.81	5/32
JA025XP0*RBC	2.5000	63.500	3.0000	76.200	0.2500	6.350	2.625	66.68	2.843	72.21	0.025	0.64	1/8
JB025XP0*RBC	2.5000	63.500	3.1250	79.375	0.3125	7.938	2.656	67.46	2.930	74.42	0.032	0.81	5/32
JA030XP0*RBC	3.0000	76.200	3.5000	88.900	0.2500	6.350	3.125	79.38	3.343	84.91	0.025	0.64	1/8
JB030XP0*RBC	3.0000	76.200	3.6250	92.075	0.3125	7.938	3.156	80.16	3.430	87.12	0.032	0.81	5/32
JA035XP0*RBC	3.5000	88.900	4.0000	101.600	0.2500	6.350	3.625	92.08	3.843	97.61	0.025	0.64	1/8
JB035XP0*RBC	3.5000	88.900	4.1250	104.775	0.3125	7.938	3.656	92.86	3.930	99.82	0.032	0.81	5/32
JA040XP0*RBC	4.0000	101.600	4.5000	114.300	0.2500	6.350	4.125	104.78	4.343	110.31	0.025	0.64	1/8
JB040XP0*RBC	4.0000	101.600	4.6250	117.475	0.3125	7.938	4.156	105.56	4.430	112.52	0.032	0.81	5/32
JC040XP0*RBC	4.0000	101.600	4.7500	120.650	0.3750	9.525	4.188	106.38	4.516	114.71	0.040	1.02	3/16
JD040XP0*RBC	4.0000	101.600	5.0000	127.000	0.5000	12.700	4.250	107.95	4.687	119.05	0.060	1.52	1/4
JF040XP0*RBC	4.0000	101.600	5.5000	139.700	0.7500	19.050	4.375	111.13	5.031	127.79	0.080	2.03	3/8
JG040XP0*RBC	4.0000	101.600	6.0000	152.400	1.0000	25.400	4.500	114.30	5.375	136.53	0.080	2.03	1/2
JA042XP0*RBC	4.2500	107.950	4.7500	120.650	0.2500	6.350	4.375	111.13	4.593	116.66	0.025	0.64	1/8
JB042XP0*RBC	4.2500	107.950	4.8750	123.825	0.3125	7.938	4.406	111.91	4.680	118.87	0.032	0.81	5/32
JC042XP0*RBC	4.2500	107.950	5.0000	127.000	0.3750	9.525	4.438	112.73	4.766	121.06	0.040	1.02	3/16
JD042XP0*RBC	4.2500	107.950	5.2500	133.350	0.5000	12.700	4.500	114.30	4.937	125.40	0.060	1.52	1/4
JF042XP0*RBC	4.2500	107.950	5.7500	146.050	0.7500	19.050	4.625	117.48	5.281	134.14	0.080	2.03	3/8
JG042XP0*RBC	4.2500	107.950	6.2500	158.750	1.0000	25.400	4.750	120.65	5.590	141.99	0.080	2.03	1/2
JA045XP0*RBC	4.5000	114.300	5.0000	127.000	0.2500	6.350	4.625	117.48	4.843	123.01	0.025	0.64	1/8
JB045XP0*RBC	4.5000	114.300	5.1250	130.175	0.3125	7.938	4.656	118.26	4.930	125.22	0.032	0.81	5/32
JC045XP0*RBC	4.5000	114.300	5.2500	133.350	0.3750	9.525	4.688	119.08	5.016	127.41	0.040	1.02	3/16
JD045XP0*RBC	4.5000	114.300	5.5000	139.700	0.5000	12.700	4.750	120.65	5.187	131.75	0.060	1.52	1/4
JF045XP0*RBC	4.5000	114.300	6.0000	152.400	0.7500	19.050	4.875	123.83	5.531	140.49	0.080	2.03	3/8
JG045XP0*RBC	4.5000	114.300	6.5000	165.100	1.0000	25.400	5.000	127.00	5.875	149.23	0.080	2.03	1/2
JA047XP0*RBC	4.7500	120.650	5.2500	133.350	0.2500	6.350	4.875	123.83	5.093	129.36	0.025	0.64	1/8
JB047XP0*RBC	4.7500	120.650	5.3750	136.525	0.3125	7.938	4.906	124.61	5.180	131.57	0.032	0.81	5/32
JC047XP0*RBC	4.7500	120.650	5.5000	139.700	0.3750	9.525	4.938	125.43	5.266	133.76	0.040	1.02	3/16
JD047XP0*RBC	4.7500	120.650	5.7500	146.050	0.5000	12.700	5.000	127.00	5.437	138.10	0.060	1.52	1/4
JF047XP0*RBC	4.7500	120.650	6.2500	158.750	0.7500	19.050	5.125	130.18	5.781	146.84	0.080	2.03	3/8
JG047XP0*RBC	4.7500	120.650	6.7500	171.450	1.0000	25.400	5.250	133.35	6.090	154.69	0.080	2.03	1/2
JA050XP0*RBC	5.0000	127.000	5.5000	139.700	0.2500	6.350	5.125	130.18	5.343	135.71	0.025	0.64	1/8
JB050XP0*RBC	5.0000	127.000	5.6250	142.875	0.3125	7.938	5.156	130.96	5.430	137.92	0.032	0.81	5/32
JC050XP0*RBC	5.0000	127.000	5.7500	146.050	0.3750	9.525	5.188	131.78	5.516	140.11	0.040	1.02	3/16
JD050XP0*RBC	5.0000	127.000	6.0000	152.400	0.5000	12.700	5.250	133.35	5.687	144.45	0.060	1.52	1/4
JF050XP0*RBC	5.0000	127.000	6.5000	165.100	0.7500	19.050	5.375	136.53	6.031	153.19	0.080	2.03	3/8
JG050XP0*RBC	5.0000	127.000	7.0000	177.800	1.0000	25.400	5.500	139.70	6.375	161.93	0.080	2.03	1/2
JA055XP0*RBC	5.5000	139.700	6.0000	152.400	0.2500	6.350	5.625	142.88	5.843	148.41	0.025	0.64	1/8
JB055XP0*RBC	5.5000	139.700	6.1250	155.575	0.3125	7.938	5.656	143.66	5.930	150.62	0.032	0.81	5/32
JC055XP0*RBC	5.5000	139.700	6.2500	158.750	0.3750	9.525	5.688	144.48	6.016	152.81	0.040	1.02	3/16
JD055XP0*RBC	5.5000	139.700	6.5000	165.100	0.5000	12.700	5.750	146.05	6.187	157.15	0.060	1.52	1/4
JF055XP0*RBC	5.5000	139.700	7.0000	177.800	0.7500	19.050	5.875	149.23	6.531	165.89	0.080	2.03	3/8
JG055XP0*RBC	5.5000	139.700	7.5000	190.500	1.0000	25.400	6.000	152.40	6.875	174.63	0.080	2.03	1/2

*The alphanumeric identification system is used under license.

- 52100 Steel
- Large Diameter
- Light Weight
- Small Cross Section
- Snap-Over Ball Separator
- Sealed



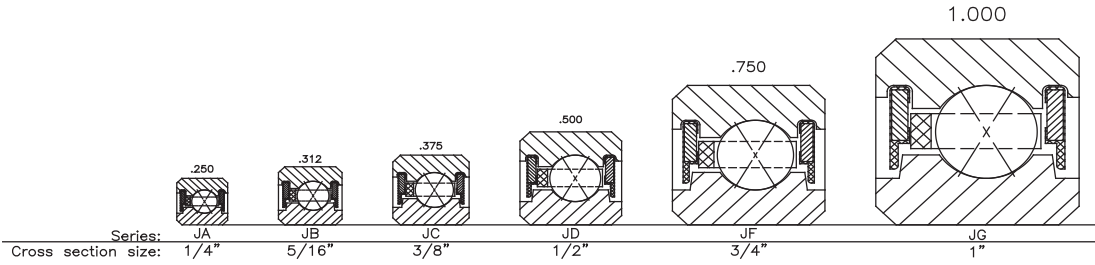
	Ball Quantity	Approx. Weight		LOAD RATINGS												PART NUMBER*
				Radial				Thrust				Moment				
				Static		Dynamic		Static		Dynamic		Static		Dynamic		
lbs.	kg	lbf	N	lbf	N	lbf	N	lbf	N	lbf - in	Nm	lbf - in	Nm			
	27	0.10	0.045	680	3,020	514	2,290	1,710	7,610	1,230	5,470	770	90	550	60	JA020XP0*RBC
	23	0.16	0.073	930	4,140	758	3,370	2,340	10,410	1,740	7,740	1,080	120	800	90	JB020XP0*RBC
	33	0.13	0.059	830	3,690	583	2,590	2,090	9,300	1,320	5,870	1,150	130	730	80	JA025XP0*RBC
	28	0.20	0.091	1,140	5,070	848	3,770	2,840	12,630	1,880	8,360	1,600	180	1,060	120	JB025XP0*RBC
	39	0.15	0.068	990	4,400	643	2,860	2,470	10,990	1,410	6,270	1,600	180	920	100	JA030XP0*RBC
	33	0.24	0.109	1,340	5,960	933	4,150	3,350	14,900	1,990	8,850	2,220	250	1,320	150	JB030XP0*RBC
	45	0.18	0.082	1,140	5,070	701	3,120	2,850	12,680	1,480	6,580	2,130	240	1,110	130	JA035XP0*RBC
	38	0.27	0.122	1,540	6,850	1,014	4,510	3,860	17,170	2,100	9,340	2,940	330	1,600	180	JB035XP0*RBC
	51	0.19	0.086	1,290	5,740	756	3,363	3,220	14,323	1,550	6,890	2,740	310	1,320	150	JA040XP0*RBC
	43	0.30	0.136	1,750	7,780	1,091	4,850	4,370	19,440	2,210	9,830	3,770	430	1,900	210	JB040XP0*RBC
	35	0.45	0.204	2,100	9,340	1,417	6,300	5,260	23,400	2,810	12,500	4,600	520	2,460	280	JC040XP0*RBC
	27	0.78	0.354	3,080	13,700	2,311	10,280	7,700	34,250	4,890	21,750	6,930	780	4,400	500	JD040XP0*RBC
	19	1.90	0.862	5,360	23,840	4,665	20,750	13,400	59,610	8,830	39,280	12,730	1,440	8,390	950	FF040XP0*RBC
	15	3.60	1.633	8,210	36,520	7,979	35,490	20,520	91,280	15,150	67,390	20,520	2,320	15,150	1,710	JG040XP0*RBC
	54	0.20	0.091	1,370	6,090	783	3,480	3,410	15,170	1,590	7,070	3,070	350	1,430	160	JA042XP0*RBC
	45	0.31	0.141	1,830	8,140	1,120	4,980	4,570	20,330	2,230	9,920	4,170	470	2,040	230	JB042XP0*RBC
	37	0.47	0.213	2,220	9,880	1,464	6,510	5,560	24,730	2,870	12,770	5,140	580	2,650	300	JC042XP0*RBC
	28	0.83	0.376	3,190	14,190	2,355	10,480	7,980	35,500	4,920	21,890	7,580	860	4,670	530	JD042XP0*RBC
	20	2.00	0.907	5,640	25,090	4,795	21,330	14,110	62,760	8,990	39,990	14,110	1,590	8,993	1,020	FF042XP0*RBC
	15	3.80	1.724	8,210	36,520	7,917	35,220	20,520	91,280	15,150	67,390	21,550	2,430	15,910	1,800	JG042XP0*RBC
	57	0.22	0.100	1,440	6,410	809	3,600	3,600	16,010	1,610	7,160	3,420	390	1,530	170	JA045XP0*RBC
	48	0.33	0.150	1,950	8,670	1,165	5,180	4,880	21,710	2,300	10,230	4,690	530	2,220	250	JB045XP0*RBC
	39	0.48	0.218	2,340	10,410	1,510	6,720	5,860	26,070	2,920	12,990	5,710	650	2,850	320	JC045XP0*RBC
	30	0.88	0.399	3,420	15,210	2,454	10,920	8,550	38,030	5,080	22,600	8,550	970	5,080	570	JD045XP0*RBC
	21	2.10	0.953	5,930	26,380	4,923	21,900	14,810	65,880	9,180	40,830	15,550	1,760	9,695	1,100	FF045XP0*RBC
	16	4.00	1.814	8,760	38,970	8,205	36,500	21,890	97,370	15,820	70,370	24,080	2,720	17,400	1,970	JG045XP0*RBC
	60	0.23	0.104	1,520	6,760	834	3,710	3,790	16,860	1,650	7,340	3,790	430	1,650	190	JA047XP0*RBC
	50	0.34	0.154	2,030	9,030	1,193	5,310	5,080	22,600	2,310	10,280	5,140	580	2,340	260	JB047XP0*RBC
	41	0.50	0.227	2,460	10,940	1,556	6,920	6,160	27,400	2,970	13,210	6,320	710	3,040	340	JC047XP0*RBC
	31	0.94	0.426	3,530	15,700	2,496	11,100	8,840	39,320	5,130	22,820	9,280	1,050	5,380	610	JD047XP0*RBC
	22	2.20	0.998	6,210	27,620	5,048	22,450	15,520	69,040	9,380	41,720	17,070	1,930	10,416	1,180	FF047XP0*RBC
	17	4.10	1.860	9,300	41,370	8,487	37,750	23,260	103,470	16,470	73,260	26,740	3,020	18,940	2,140	JG047XP0*RBC
	63	0.24	0.109	1,590	7,070	859	3,821	3,980	17,700	1,680	7,470	4,180	470	1,760	200	JA050XP0*RBC
	53	0.38	0.172	2,150	9,560	1,236	5,500	5,380	23,930	2,380	10,590	5,720	650	2,520	280	JB050XP0*RBC
	43	0.58	0.263	2,590	11,520	1,600	7,120	6,460	28,740	3,040	13,520	6,950	790	3,270	370	JC050XP0*RBC
	33	1.00	0.454	3,760	16,730	2,592	11,530	9,410	41,860	5,270	23,440	10,350	1,170	5,800	660	JD050XP0*RBC
	23	2.30	1.043	6,490	28,870	5,172	23,010	16,220	72,150	9,520	42,350	18,660	2,110	11,157	1,260	FF050XP0*RBC
	18	4.30	1.950	9,850	43,810	8,762	38,980	24,620	109,520	17,110	76,110	29,550	3,340	20,530	2,320	JG050XP0*RBC
	69	0.25	0.113	1,750	7,780	908	4,040	4,360	19,390	1,720	7,650	5,020	570	1,970	220	JA055XP0*RBC
	58	0.41	0.186	2,360	10,500	1,304	5,800	5,890	26,200	2,460	10,940	6,850	770	2,860	320	JB055XP0*RBC
	47	0.59	0.268	2,830	12,590	1,687	7,500	7,060	31,400	3,120	13,880	8,300	940	3,717	420	JC055XP0*RBC
	36	1.06	0.481	4,100	18,240	2,725	12,120	10,260	45,640	5,450	24,240	12,310	1,390	6,540	740	JD055XP0*RBC
	25	2.50	1.134	7,050	31,360	5,415	24,090	17,630	78,420	9,820	43,680	22,040	2,490	12,696	1,430	FF055XP0*RBC
	19	4.70	2.132	10,400	46,260	8,979	39,940	25,990	115,610	17,460	77,670	33,790	3,820	22,700	2,560	JG055XP0*RBC

Refer to the Engineering section for load and speed limitations.

J-SERIES



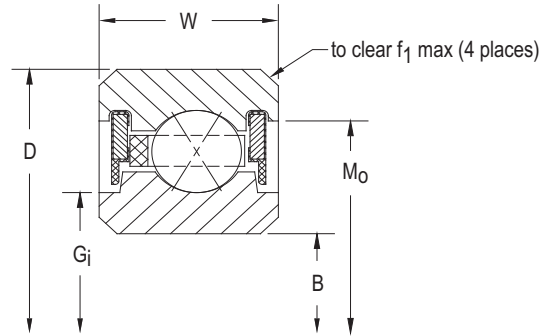
SEALED (MOLDED) 4-POINT CONTACT, X-TYPE THIN SECTION BALL BEARINGS



PART NUMBER*	NOMINAL DIMENSIONS												
	B Bore		D Outside Diameter		W Width		G _i Recess Diameter		M _o Groove Diameter		f ₁ Housing Fillet		Ball Diameter
	in.	mm	in.	mm	in.	mm	in.	mm	in.	mm	in.	mm	in.
JA060XP0*RBC	6.0000	152.400	6.5000	165.100	0.2500	6.350	6.125	155.58	6.343	161.11	0.025	0.64	1/8
JB060XP0*RBC	6.0000	152.400	6.6250	168.275	0.3125	7.938	6.155	156.34	6.430	163.32	0.032	0.81	5/32
JC060XP0*RBC	6.0000	152.400	6.7500	171.450	0.3750	9.525	6.188	157.18	6.516	165.51	0.040	1.02	3/16
JD060XP0*RBC	6.0000	152.400	7.0000	177.800	0.5000	12.700	6.250	158.75	6.687	169.85	0.060	1.52	1/4
JF060XP0*RBC	6.0000	152.400	7.5000	190.500	0.7500	19.050	6.375	161.93	7.031	178.59	0.080	2.03	3/8
JG060XP0*RBC	6.0000	152.400	8.0000	203.200	1.0000	25.400	6.500	165.10	7.375	187.33	0.080	2.03	1/2
JA065XP0*RBC	6.5000	165.100	7.0000	177.800	0.2500	6.350	6.625	168.28	6.843	173.81	0.025	0.64	1/8
JB065XP0*RBC	6.5000	165.100	7.1250	180.975	0.3125	7.938	6.656	169.06	6.930	176.02	0.032	0.81	5/32
JC065XP0*RBC	6.5000	165.100	7.2500	184.150	0.3750	9.525	6.688	169.88	7.016	178.21	0.040	1.02	3/16
JD065XP0*RBC	6.5000	165.100	7.5000	190.500	0.5000	12.700	6.750	171.45	7.187	182.55	0.060	1.52	1/4
JF065XP0*RBC	6.5000	165.100	8.0000	203.200	0.7500	19.050	6.875	174.63	7.531	191.29	0.080	2.03	3/8
JG065XP0*RBC	6.5000	165.100	8.5000	215.900	1.0000	25.400	7.000	177.80	7.875	200.03	0.080	2.03	1/2
JA070XP0*RBC	7.0000	177.800	7.5000	190.500	0.2500	6.350	7.125	180.98	7.343	186.51	0.025	0.64	1/8
JB070XP0*RBC	7.0000	177.800	7.6250	193.675	0.3125	7.938	7.156	181.76	7.430	188.72	0.032	0.81	5/32
JC070XP0*RBC	7.0000	177.800	7.7500	196.850	0.3750	9.525	7.188	182.58	7.516	190.91	0.040	1.02	3/16
JD070XP0*RBC	7.0000	177.800	8.0000	203.200	0.5000	12.700	7.250	184.15	7.687	195.25	0.060	1.52	1/4
JF070XP0*RBC	7.0000	177.800	8.5000	215.900	0.7500	19.050	7.375	187.33	8.031	203.99	0.080	2.03	3/8
JG070XP0*RBC	7.0000	177.800	9.0000	228.600	1.0000	25.400	7.500	190.50	8.375	212.73	0.080	2.03	1/2
JA075XP0*RBC	7.5000	190.500	8.0000	203.200	0.2500	6.350	7.625	193.68	7.843	199.21	0.025	0.64	1/8
JB075XP0*RBC	7.5000	190.500	8.1250	206.375	0.3125	7.938	7.656	194.46	7.930	201.42	0.032	0.81	5/32
JC075XP0*RBC	7.5000	190.500	8.2500	209.550	0.3750	9.525	7.688	195.28	8.016	203.61	0.040	1.02	3/16
JD075XP0*RBC	7.5000	190.500	8.5000	215.900	0.5000	12.700	7.750	196.85	8.187	207.95	0.060	1.52	1/4
JF075XP0*RBC	7.5000	190.500	9.0000	228.600	0.7500	19.050	7.875	200.03	8.531	216.69	0.080	2.03	3/8
JG075XP0*RBC	7.5000	190.500	9.5000	241.300	1.0000	25.400	8.000	203.20	8.875	225.43	0.080	2.03	1/2
JA080XP0*RBC	8.0000	203.200	8.5000	215.900	0.2500	6.350	8.125	206.38	8.343	211.91	0.025	0.64	1/8
JB080XP0*RBC	8.0000	203.200	8.6250	219.075	0.3125	7.938	8.156	207.16	8.430	214.12	0.032	0.81	5/32
JC080XP0*RBC	8.0000	203.200	8.7500	222.250	0.3750	9.525	8.188	207.98	8.516	216.31	0.040	1.02	3/16
JD080XP0*RBC	8.0000	203.200	9.0000	228.600	0.5000	12.700	8.250	209.55	8.687	220.65	0.060	1.52	1/4
JF080XP0*RBC	8.0000	203.200	9.5000	241.300	0.7500	19.050	8.375	212.73	9.031	229.39	0.080	2.03	3/8
JG080XP0*RBC	8.0000	203.200	10.0000	254.000	1.0000	25.400	8.500	215.90	9.375	238.13	0.080	2.03	1/2
JA090XP0*RBC	9.0000	228.600	9.5000	241.300	0.2500	6.350	9.125	231.78	9.343	237.31	0.025	0.64	1/8
JB090XP0*RBC	9.0000	228.600	9.6250	244.475	0.3125	7.938	9.156	232.56	9.430	239.52	0.032	0.81	5/32
JC090XP0*RBC	9.0000	228.600	9.7500	247.650	0.3750	9.525	9.188	233.38	9.516	241.71	0.040	1.02	3/16
JD090XP0*RBC	9.0000	228.600	10.0000	254.000	0.5000	12.700	9.250	234.95	9.687	246.05	0.060	1.52	1/4
JF090XP0*RBC	9.0000	228.600	10.5000	266.700	0.7500	19.050	9.375	238.13	10.031	254.79	0.080	2.03	3/8
JG090XP0*RBC	9.0000	228.600	11.0000	279.400	1.0000	25.400	9.500	241.30	10.375	263.53	0.080	2.03	1/2
JA100XP0*RBC	10.0000	254.000	10.5000	266.700	0.2500	6.350	10.125	257.18	10.343	262.71	0.025	0.64	1/8
JB100XP0*RBC	10.0000	254.000	10.6250	269.875	0.3125	7.938	10.156	257.78	10.430	264.92	0.032	0.81	5/32
JC100XP0*RBC	10.0000	254.000	10.7500	273.050	0.3750	9.525	10.188	258.78	10.516	267.11	0.040	1.02	3/16
JD100XP0*RBC	10.0000	254.000	11.0000	279.400	0.5000	12.700	10.250	260.35	10.687	271.45	0.060	1.52	1/4
JF100XP0*RBC	10.0000	254.000	11.5000	292.100	0.7500	19.050	10.375	263.53	11.031	280.91	0.080	2.03	3/8
JG100XP0*RBC	10.0000	254.000	12.0000	304.800	1.0000	25.400	10.500	266.70	11.375	288.93	0.080	2.03	1/2
JA110XP0*RBC	11.0000	279.400	11.5000	292.100	0.2500	6.350	11.125	282.58	11.343	288.11	0.025	0.64	1/8
JB110XP0*RBC	11.0000	279.400	11.6250	295.275	0.3125	7.938	11.156	283.36	11.430	290.32	0.032	0.81	5/32

*The alphanumeric identification system is used under license.

- 52100 Steel
- Large Diameter
- Light Weight
- Small Cross Section
- Snap-Over Ball Separator
- Sealed



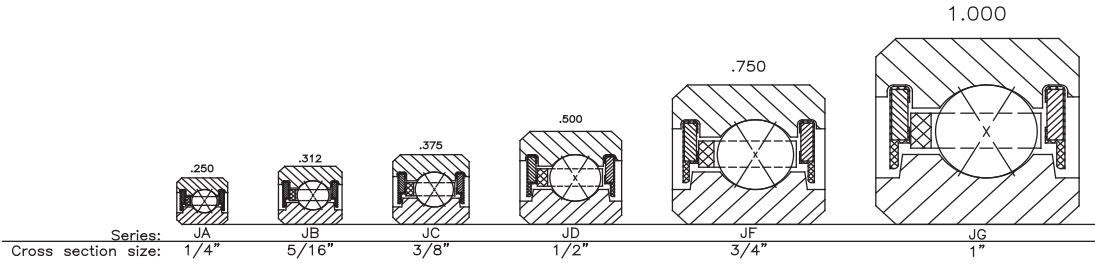
	Ball Quantity	Approx. Weight		LOAD RATINGS												PART NUMBER*
				Radial				Thrust				Moment				
				Static		Dynamic		Static		Dynamic		Static		Dynamic		
lbs.	kg	lbf	N	lbf	N	lbf	N	lbf	N	lbf - in	Nm	lbf - in	Nm			
	75	0.28	0.127	1,900	8,450	955	4,250	4,740	21,080	1,780	7,920	5,930	670	2,240	250	JA060XP0*RBC
	63	0.44	0.200	2,560	11,390	1,371	6,100	6,400	28,470	2,540	11,300	8,080	910	3,247	370	JB060XP0*RBC
	51	0.63	0.286	3,070	13,660	1,770	7,870	7,660	34,070	3,220	14,320	9,770	1,100	4,234	480	JC060XP0*RBC
	39	1.16	0.526	4,450	19,790	2,855	12,700	11,120	49,460	5,610	24,950	14,450	1,630	7,290	820	JD060XP0*RBC
	27	2.70	1.225	7,620	33,900	5,651	25,140	19,050	84,740	10,150	45,150	25,710	2,900	14,311	1,620	JF060XP0*RBC
	21	5.10	2.313	11,490	51,110	9,503	42,270	28,730	127,800	18,290	81,360	40,220	4,540	25,610	2,890	JG060XP0*RBC
	81	0.30	0.136	2,050	9,120	1,001	4,450	5,120	22,770	1,840	8,180	6,910	780	2,535	290	JA065XP0*RBC
	68	0.47	0.213	2,760	12,280	1,435	6,380	6,910	30,740	2,590	11,520	9,410	1,060	3,668	410	JB065XP0*RBC
	55	0.68	0.308	3,310	14,720	1,851	8,230	8,270	36,790	3,300	14,680	11,370	1,280	4,775	540	JC065XP0*RBC
	42	1.22	0.553	4,790	21,310	2,980	13,260	11,970	53,250	5,740	25,530	16,760	1,890	8,040	910	JD065XP0*RBC
	29	2.90	1.315	8,180	36,390	5,880	26,160	20,460	91,010	10,380	46,170	29,660	3,350	15,993	1,810	JF065XP0*RBC
	22	5.40	2.449	12,040	53,560	9,713	43,210	30,100	133,890	18,520	82,380	45,140	5,100	27,770	3,140	JG065XP0*RBC
	87	0.31	0.141	2,200	9,790	1,046	4,650	5,500	24,470	1,850	8,230	7,980	900	2,844	320	JA070XP0*RBC
	73	0.50	0.227	2,970	13,210	1,498	6,660	7,420	33,010	2,660	11,830	10,850	1,230	4,109	460	JB070XP0*RBC
	59	0.73	0.331	3,550	15,790	1,931	8,590	8,870	39,460	3,420	15,210	13,080	1,480	5,341	600	JC070XP0*RBC
	45	1.31	0.594	5,130	22,820	3,103	13,800	12,830	57,070	5,880	26,160	19,240	2,170	8,810	1,000	JD070XP0*RBC
	31	3.20	1.451	8,750	38,920	6,103	27,150	21,870	97,280	10,640	47,330	33,890	3,830	17,744	2,000	JF070XP0*RBC
	24	5.80	2.631	13,130	58,410	10,208	45,410	32,830	146,040	19,330	85,980	52,530	5,940	30,930	3,490	JG070XP0*RBC
	93	0.34	0.154	2,350	10,450	1,089	4,840	5,880	26,160	1,890	8,410	9,120	1,030	3,165	360	JA075XP0*RBC
	78	0.53	0.240	3,170	14,100	1,559	6,930	7,920	35,230	2,730	12,140	12,380	1,400	4,568	520	JB075XP0*RBC
	63	0.78	0.354	3,790	16,860	2,007	8,930	9,470	42,120	3,480	15,480	14,910	1,680	5,930	670	JC075XP0*RBC
	48	1.41	0.640	5,470	24,330	3,222	14,330	13,680	60,850	6,060	26,960	21,890	2,470	9,700	1,100	JD075XP0*RBC
	33	3.40	1.542	9,310	41,410	6,323	28,130	23,280	103,550	10,930	48,620	38,410	4,340	19,568	2,210	JF075XP0*RBC
	25	6.10	2.767	13,680	60,850	10,410	46,310	34,200	152,130	19,460	86,560	58,140	6,570	33,196	3,750	JG075XP0*RBC
	99	0.38	0.172	2,500	11,120	1,131	5,030	6,260	27,850	1,970	8,760	10,330	1,170	3,499	400	JA080XP0*RBC
	83	0.57	0.259	3,370	14,990	1,618	7,200	8,430	37,500	2,790	12,410	14,020	1,580	5,045	570	JB080XP0*RBC
	67	0.84	0.381	4,030	17,930	2,082	9,260	10,070	44,790	3,560	15,840	16,870	1,910	6,542	740	JC080XP0*RBC
	51	1.53	0.694	5,810	25,840	3,338	14,850	14,540	64,680	6,170	27,450	24,710	2,790	10,643	1,200	JD080XP0*RBC
	35	3.50	1.588	9,880	43,950	6,535	29,070	24,690	109,830	11,190	49,780	43,200	4,880	21,453	2,420	JF080XP0*RBC
	27	6.50	2.948	14,770	65,700	10,882	48,410	36,940	164,320	20,230	89,990	66,480	7,510	36,743	4,150	JG080XP0*RBC
	111	0.44	0.200	2,810	12,500	1,212	5,390	7,020	31,230	2,040	9,070	12,990	1,470	4,204	470	JA090XP0*RBC
	93	0.66	0.299	3,780	16,810	1,732	7,700	9,450	42,040	2,890	12,860	17,600	1,990	6,050	680	JB090XP0*RBC
	75	0.94	0.426	4,510	20,060	2,226	9,900	11,270	50,130	3,690	16,410	21,130	2,390	7,830	880	JC090XP0*RBC
	57	1.72	0.780	6,500	28,910	3,561	15,840	16,250	72,280	6,410	28,510	30,870	3,490	12,693	1,430	JD090XP0*RBC
	39	3.90	1.769	11,000	48,930	6,947	30,900	27,510	122,370	11,630	51,730	53,640	6,060	25,410	2,870	JF090XP0*RBC
	30	7.20	3.266	16,420	73,040	11,526	51,270	41,040	182,560	21,020	93,500	82,080	9,270	43,240	4,890	JG090XP0*RBC
	123	0.50	0.227	3,110	13,830	1,289	5,730	7,780	34,610	2,180	9,700	15,940	1,800	4,956	560	JA100XP0*RBC
	103	0.73	0.331	4,190	18,640	1,841	8,190	10,460	46,530	3,080	13,700	21,580	2,440	7,121	800	JB100XP0*RBC
	83	1.06	0.481	4,990	22,200	2,364	10,520	12,470	55,470	3,930	17,480	25,880	2,920	9,201	1,040	JC100XP0*RBC
	63	1.88	0.853	7,180	31,940	3,776	16,800	17,960	79,890	6,680	29,710	37,710	4,260	14,872	1,680	JD100XP0*RBC
	43	4.30	1.950	12,130	53,960	7,342	32,660	30,330	134,910	12,100	53,820	65,210	7,370	29,608	3,350	JF100XP0*RBC
	33	7.90	3.583	18,060	80,330	12,147	54,030	45,140	200,790	21,790	96,930	99,320	11,220	50,124	5,660	JG100XP0*RBC
	135	0.52	0.236	3,410	15,170	1,362	6,060	8,540	37,990	2,320	10,320	19,210	2,170	5,750	650	JA110XP0*RBC
	113	0.75	0.340	4,590	20,420	1,945	8,650	11,480	51,070	3,280	14,590	25,970	2,930	8,254	930	JB110XP0*RBC

Refer to the Engineering section for load and speed limitations.

J-SERIES



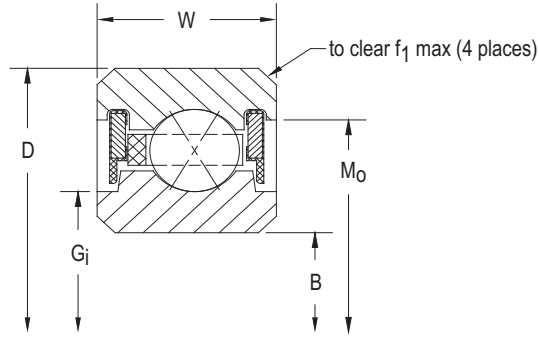
SEALED (MOLDED) 4-POINT CONTACT, X-TYPE THIN SECTION BALL BEARINGS



PART NUMBER*	NOMINAL DIMENSIONS												
	B Bore		D Outside Diameter		W Width		G _i Recess Diameter		M _o Groove Diameter		f ₁ Housing Fillet		Ball Diameter
	in.	mm	in.	mm	in.	mm	in.	mm	in.	mm	in.	mm	
JC110XP0*RBC	11.0000	279.400	11.7500	298.450	0.3750	9.525	11.188	284.18	11.516	292.51	0.040	1.02	3/16
JD110XP0*RBC	11.0000	279.400	12.0000	304.800	0.5000	12.700	11.250	285.75	11.687	296.85	0.060	1.52	1/4
JF110XP0*RBC	11.0000	279.400	12.5000	317.500	0.7500	19.050	11.375	288.93	12.031	305.59	0.080	2.03	3/8
JG110XP0*RBC	11.0000	279.400	13.0000	330.200	1.0000	25.400	11.500	292.10	12.375	314.33	0.080	2.03	1/2
JA120XP0*RBC	12.0000	304.800	12.5000	317.500	0.2500	6.350	12.125	307.98	12.343	313.51	0.025	0.64	1/8
JB120XP0*RBC	12.0000	304.800	12.6250	320.675	0.3125	7.938	12.156	308.76	12.430	315.72	0.032	0.81	5/32
JC120XP0*RBC	12.0000	304.800	12.7500	323.850	0.3750	9.525	12.188	309.58	12.516	317.91	0.040	1.02	3/16
JD120XP0*RBC	12.0000	304.800	13.0000	330.200	0.5000	12.700	12.250	311.15	12.687	322.25	0.060	1.52	1/4
JF120XP0*RBC	12.0000	304.800	13.5000	342.900	0.7500	19.050	12.375	314.31	13.031	330.99	0.080	2.03	3/8
JG120XP0*RBC	12.0000	304.800	14.0000	355.600	1.0000	25.400	12.500	317.50	13.375	339.73	0.080	2.03	1/2

*The alphanumeric identification system is used under license.
Contact your RBC Sales Engineer for sizes above 12.00" Bore.

- 52100 Steel
- Large Diameter
- Light Weight
- Small Cross Section
- Snap-Over Ball Separator
- Sealed



	Ball Quantity	Approx. Weight		LOAD RATINGS										PART NUMBER*		
				Radial				Thrust				Moment				
				Static		Dynamic		Static		Dynamic		Static			Dynamic	
lbs.	kg	lbf	N	lbf	N	lbf	N	lbf	N	lbf - in	Nm	lbf - in	Nm			
	91	1.16	0.526	5,470	24,330	2,496	11,100	13,680	60,850	4,180	18,590	31,110	3,510	10,651	1,200	JC110XP0*RBC
	69	2.06	0.934	7,870	35,010	3,981	17,710	19,670	87,500	6,830	30,380	45,230	5,110	17,173	1,940	JD110XP0*RBC
	47	4.80	2.177	13,260	58,980	7,721	34,340	33,150	147,460	12,490	55,560	77,910	8,800	34,032	3,850	JF110XP0*RBC
	36	8.60	3.901	19,700	87,630	12,739	56,670	49,250	219,070	22,530	100,220	118,200	13,350	57,347	6,480	JG110XP0*RBC
	147	0.56	0.254	3,720	16,550	1,433	6,370	9,300	41,370	2,450	10,900	22,770	2,570	6,587	740	JA120XP0*RBC
	123	0.83	0.376	5,000	22,240	2,045	9,100	12,500	55,600	3,470	15,440	30,770	3,480	9,446	1,070	JB120XP0*RBC
	99	1.25	0.567	5,950	26,470	2,622	11,660	14,880	66,190	4,420	19,660	36,830	4,160	12,174	1,380	JC120XP0*RBC
	75	2.25	1.021	8,550	38,030	4,178	18,580	21,380	95,100	7,080	31,490	53,440	6,040	19,590	2,210	JD120XP0*RBC
	51	5.20	2.359	14,390	64,010	8,084	35,960	35,970	160,000	13,190	58,670	91,730	10,360	38,666	4,370	JF120XP0*RBC
	39	9.30	4.218	21,340	94,930	13,315	59,230	53,350	237,310	23,180	103,110	138,700	15,670	64,935	7,340	JG120XP0*RBC

Refer to the Engineering section for load and speed limitations.

J-SERIES