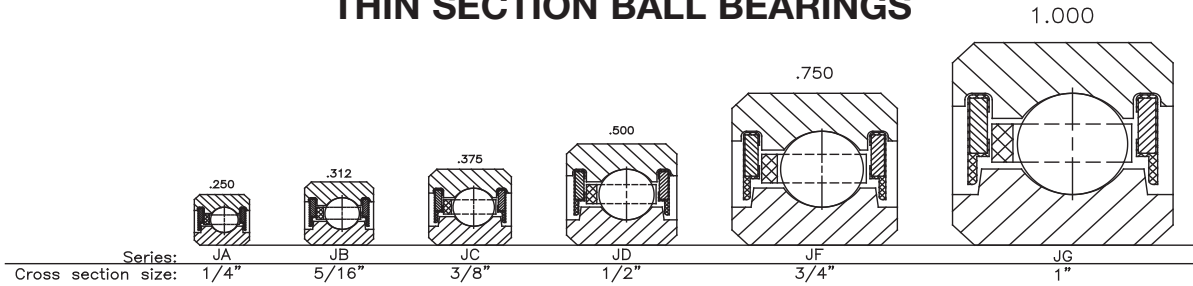




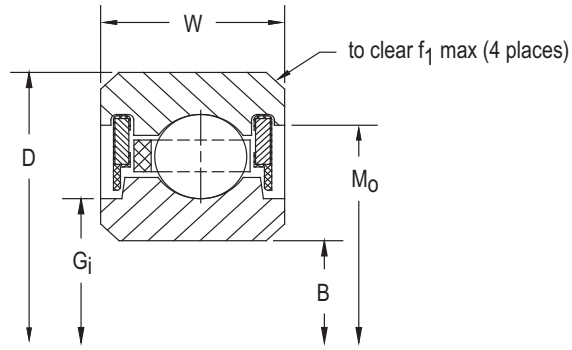
# SEALED (MOLDED) RADIAL CONTACT, C-TYPE THIN SECTION BALL BEARINGS



| PART NUMBER* | NOMINAL DIMENSIONS |         |                    |         |         |        |                                |        |                                |        |                               |      |               |
|--------------|--------------------|---------|--------------------|---------|---------|--------|--------------------------------|--------|--------------------------------|--------|-------------------------------|------|---------------|
|              | B Bore             |         | D Outside Diameter |         | W Width |        | G <sub>i</sub> Recess Diameter |        | M <sub>o</sub> Groove Diameter |        | f <sub>1</sub> Housing Fillet |      | Ball Diameter |
|              | in.                | mm      | in.                | mm      | in.     | mm     | in.                            | mm     | in.                            | mm     | in.                           | mm   | in.           |
| JA020CP0*RBC | 2.0000             | 50.800  | 2.5000             | 63.500  | 0.2500  | 6.350  | 2.125                          | 53.98  | 2.343                          | 59.51  | 0.025                         | 0.64 | 1/8           |
| JB020CP0*RBC | 2.0000             | 50.800  | 2.6250             | 66.675  | 0.3125  | 7.938  | 2.156                          | 54.76  | 2.430                          | 61.72  | 0.032                         | 0.81 | 5/32          |
| JA025CP0*RBC | 2.5000             | 63.500  | 3.0000             | 76.200  | 0.2500  | 6.350  | 2.625                          | 66.68  | 2.843                          | 72.21  | 0.025                         | 0.64 | 1/8           |
| JB025CP0*RBC | 2.5000             | 63.500  | 3.1250             | 79.375  | 0.3125  | 7.938  | 2.656                          | 67.46  | 2.930                          | 74.42  | 0.032                         | 0.81 | 5/32          |
| JA030CP0*RBC | 3.0000             | 76.200  | 3.5000             | 88.900  | 0.2500  | 6.350  | 3.125                          | 79.38  | 3.343                          | 84.91  | 0.025                         | 0.64 | 1/8           |
| JB030CP0*RBC | 3.0000             | 76.200  | 3.6250             | 92.075  | 0.3125  | 7.938  | 3.156                          | 80.16  | 3.430                          | 87.12  | 0.032                         | 0.81 | 5/32          |
| JA035CP0*RBC | 3.5000             | 88.900  | 4.0000             | 101.600 | 0.2500  | 6.350  | 3.625                          | 92.08  | 3.843                          | 97.61  | 0.025                         | 0.64 | 1/8           |
| JB035CP0*RBC | 3.5000             | 88.900  | 4.1250             | 104.775 | 0.3125  | 7.938  | 3.656                          | 92.86  | 3.930                          | 99.82  | 0.032                         | 0.81 | 5/32          |
| JA040CP0*RBC | 4.0000             | 101.600 | 4.5000             | 114.300 | 0.2500  | 6.350  | 4.125                          | 104.78 | 4.343                          | 110.31 | 0.025                         | 0.64 | 1/8           |
| JB040CP0*RBC | 4.0000             | 101.600 | 4.6250             | 117.475 | 0.3125  | 7.938  | 4.156                          | 105.56 | 4.430                          | 112.52 | 0.032                         | 0.81 | 5/32          |
| JC040CP0*RBC | 4.0000             | 101.600 | 4.7500             | 120.650 | 0.3750  | 9.525  | 4.188                          | 106.38 | 4.516                          | 114.71 | 0.040                         | 1.02 | 3/16          |
| JD040CP0*RBC | 4.0000             | 101.600 | 5.0000             | 127.000 | 0.5000  | 12.700 | 4.250                          | 107.95 | 4.687                          | 119.05 | 0.060                         | 1.52 | 1/4           |
| JF040CP0*RBC | 4.0000             | 101.600 | 5.5000             | 139.700 | 0.7500  | 19.050 | 4.375                          | 111.13 | 5.031                          | 127.79 | 0.080                         | 2.03 | 3/8           |
| JG040CP0*RBC | 4.0000             | 101.600 | 6.0000             | 152.400 | 1.0000  | 25.400 | 4.500                          | 114.30 | 5.375                          | 136.53 | 0.080                         | 2.03 | 1/2           |
| JA042CP0*RBC | 4.2500             | 107.950 | 4.7500             | 120.650 | 0.2500  | 6.350  | 4.375                          | 111.13 | 4.593                          | 116.66 | 0.025                         | 0.64 | 1/8           |
| JB042CP0*RBC | 4.2500             | 107.950 | 4.8750             | 123.825 | 0.3125  | 7.938  | 4.406                          | 111.91 | 4.680                          | 118.87 | 0.032                         | 0.81 | 5/32          |
| JC042CP0*RBC | 4.2500             | 107.950 | 5.0000             | 127.000 | 0.3750  | 9.525  | 4.438                          | 112.73 | 4.766                          | 121.06 | 0.040                         | 1.02 | 3/16          |
| JD042CP0*RBC | 4.2500             | 107.950 | 5.2500             | 133.350 | 0.5000  | 12.700 | 4.500                          | 114.30 | 4.937                          | 125.40 | 0.060                         | 1.52 | 1/4           |
| JF042CP0*RBC | 4.2500             | 107.950 | 5.7500             | 146.050 | 0.7500  | 19.050 | 4.625                          | 117.48 | 5.281                          | 134.14 | 0.080                         | 2.03 | 3/8           |
| JG042CP0*RBC | 4.2500             | 107.950 | 6.2500             | 158.750 | 1.0000  | 25.400 | 4.750                          | 120.65 | 5.590                          | 141.99 | 0.080                         | 2.03 | 1/2           |
| JA045CP0*RBC | 4.5000             | 114.300 | 5.0000             | 127.000 | 0.2500  | 6.350  | 4.625                          | 117.48 | 4.843                          | 123.01 | 0.025                         | 0.64 | 1/8           |
| JB045CP0*RBC | 4.5000             | 114.300 | 5.1250             | 130.175 | 0.3125  | 7.938  | 4.656                          | 118.26 | 4.930                          | 125.22 | 0.032                         | 0.81 | 5/32          |
| JC045CP0*RBC | 4.5000             | 114.300 | 5.2500             | 133.350 | 0.3750  | 9.525  | 4.688                          | 119.08 | 5.016                          | 127.41 | 0.040                         | 1.02 | 3/16          |
| JD045CP0*RBC | 4.5000             | 114.300 | 5.5000             | 139.700 | 0.5000  | 12.700 | 4.750                          | 120.65 | 5.187                          | 131.75 | 0.060                         | 1.52 | 1/4           |
| JF045CP0*RBC | 4.5000             | 114.300 | 6.0000             | 152.400 | 0.7500  | 19.050 | 4.875                          | 123.83 | 5.531                          | 140.49 | 0.080                         | 2.03 | 3/8           |
| JG045CP0*RBC | 4.5000             | 114.300 | 6.5000             | 165.100 | 1.0000  | 25.400 | 5.000                          | 127.00 | 5.875                          | 149.23 | 0.080                         | 2.03 | 1/2           |
| JA047CP0*RBC | 4.7500             | 120.650 | 5.2500             | 133.350 | 0.2500  | 6.350  | 4.875                          | 123.83 | 5.093                          | 129.36 | 0.025                         | 0.64 | 1/8           |
| JB047CP0*RBC | 4.7500             | 120.650 | 5.3750             | 136.525 | 0.3125  | 7.938  | 4.906                          | 124.61 | 5.180                          | 131.57 | 0.032                         | 0.81 | 5/32          |
| JC047CP0*RBC | 4.7500             | 120.650 | 5.5000             | 139.700 | 0.3750  | 9.525  | 4.938                          | 125.43 | 5.266                          | 133.76 | 0.040                         | 1.02 | 3/16          |
| JD047CP0*RBC | 4.7500             | 120.650 | 5.7500             | 146.050 | 0.5000  | 12.700 | 5.000                          | 127.00 | 5.437                          | 138.10 | 0.060                         | 1.52 | 1/4           |
| JF047CP0*RBC | 4.7500             | 120.650 | 6.2500             | 158.750 | 0.7500  | 19.050 | 5.125                          | 130.18 | 5.781                          | 146.84 | 0.080                         | 2.03 | 3/8           |
| JG047CP0*RBC | 4.7500             | 120.650 | 6.7500             | 171.450 | 1.0000  | 25.400 | 5.250                          | 133.35 | 6.090                          | 154.69 | 0.080                         | 2.03 | 1/2           |
| JA050CP0*RBC | 5.0000             | 127.000 | 5.5000             | 139.700 | 0.2500  | 6.350  | 5.125                          | 130.18 | 5.343                          | 135.71 | 0.025                         | 0.64 | 1/8           |
| JB050CP0*RBC | 5.0000             | 127.000 | 5.6250             | 142.875 | 0.3125  | 7.938  | 5.156                          | 130.96 | 5.430                          | 137.92 | 0.032                         | 0.81 | 5/32          |
| JC050CP0*RBC | 5.0000             | 127.000 | 5.7500             | 146.050 | 0.3750  | 9.525  | 5.188                          | 131.78 | 5.516                          | 140.11 | 0.040                         | 1.02 | 3/16          |
| JD050CP0*RBC | 5.0000             | 127.000 | 6.0000             | 152.400 | 0.5000  | 12.700 | 5.250                          | 133.35 | 5.687                          | 144.45 | 0.060                         | 1.52 | 1/4           |
| JF050CP0*RBC | 5.0000             | 127.000 | 6.5000             | 165.100 | 0.7500  | 19.050 | 5.375                          | 136.53 | 6.031                          | 153.19 | 0.080                         | 2.03 | 3/8           |
| JG050CP0*RBC | 5.0000             | 127.000 | 7.0000             | 177.800 | 1.0000  | 25.400 | 5.500                          | 139.70 | 6.375                          | 161.93 | 0.080                         | 2.03 | 1/2           |
| JA055CP0*RBC | 5.5000             | 139.700 | 6.0000             | 152.400 | 0.2500  | 6.350  | 5.625                          | 142.88 | 5.843                          | 148.41 | 0.025                         | 0.64 | 1/8           |
| JB055CP0*RBC | 5.5000             | 139.700 | 6.1250             | 155.575 | 0.3125  | 7.938  | 5.656                          | 143.66 | 5.930                          | 150.62 | 0.032                         | 0.81 | 5/32          |
| JC055CP0*RBC | 5.5000             | 139.700 | 6.2500             | 158.750 | 0.3750  | 9.525  | 5.688                          | 144.48 | 6.016                          | 152.81 | 0.040                         | 1.02 | 3/16          |
| JD055CP0*RBC | 5.5000             | 139.700 | 6.5000             | 165.100 | 0.5000  | 12.700 | 5.750                          | 146.05 | 6.187                          | 157.15 | 0.060                         | 1.52 | 1/4           |
| JF055CP0*RBC | 5.5000             | 139.700 | 7.0000             | 177.800 | 0.7500  | 19.050 | 5.875                          | 149.23 | 6.531                          | 165.89 | 0.080                         | 2.03 | 3/8           |
| JG055CP0*RBC | 5.5000             | 139.700 | 7.5000             | 190.500 | 1.0000  | 25.400 | 6.000                          | 152.40 | 6.875                          | 174.63 | 0.080                         | 2.03 | 1/2           |

\*The alphanumeric identification system is used under license.

- 52100 Steel
- Large Diameter
- Light Weight
- Small Cross Section
- Snap-Over Ball Separator
- Sealed

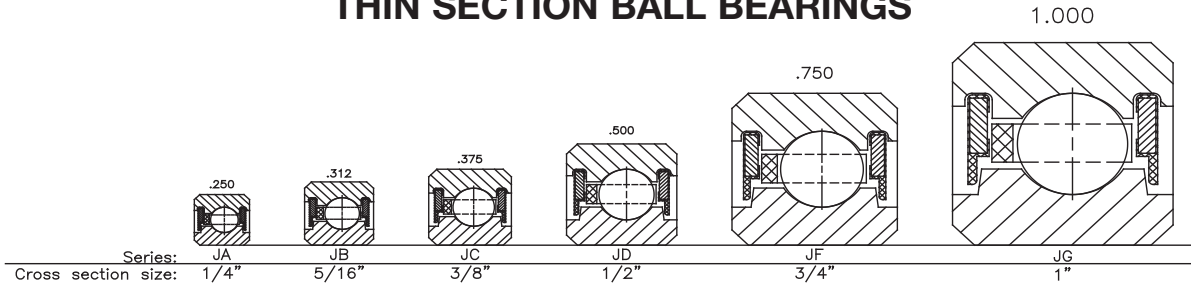


|      | Ball Quantity | Approx. Weight |       | LOAD RATINGS |        |         |        |        |     |          |     |          |     |         |     | PART NUMBER* |
|------|---------------|----------------|-------|--------------|--------|---------|--------|--------|-----|----------|-----|----------|-----|---------|-----|--------------|
|      |               |                |       | Radial       |        |         |        | Thrust |     |          |     | Moment   |     |         |     |              |
|      |               |                |       | Static       |        | Dynamic |        | Static |     | Dynamic  |     | Static   |     | Dynamic |     |              |
| lbs. | kg            | lbf            | N     | lbf          | N      | lbf     | N      | lbf    | N   | lbf - in | Nm  | lbf - in | Nm  |         |     |              |
|      | 27            | 0.10           | 0.045 | 680          | 3,020  | 560     | 2,490  | N/A    | N/A | N/A      | N/A | N/A      | N/A | N/A     | N/A | JA020CP0*RBC |
|      | 23            | 0.16           | 0.073 | 930          | 4,140  | 800     | 3,560  | N/A    | N/A | N/A      | N/A | N/A      | N/A | N/A     | N/A | JB020CP0*RBC |
|      | 33            | 0.13           | 0.059 | 830          | 3,690  | 610     | 2,710  | N/A    | N/A | N/A      | N/A | N/A      | N/A | N/A     | N/A | JA025CP0*RBC |
|      | 28            | 0.20           | 0.091 | 1,140        | 5,070  | 860     | 3,830  | N/A    | N/A | N/A      | N/A | N/A      | N/A | N/A     | N/A | JB025CP0*RBC |
|      | 39            | 0.15           | 0.068 | 990          | 4,400  | 650     | 2,890  | N/A    | N/A | N/A      | N/A | N/A      | N/A | N/A     | N/A | JA030CP0*RBC |
|      | 33            | 0.24           | 0.109 | 1,340        | 5,960  | 920     | 4,090  | N/A    | N/A | N/A      | N/A | N/A      | N/A | N/A     | N/A | JB030CP0*RBC |
|      | 45            | 0.18           | 0.082 | 1,140        | 5,070  | 690     | 3,070  | N/A    | N/A | N/A      | N/A | N/A      | N/A | N/A     | N/A | JA035CP0*RBC |
|      | 38            | 0.27           | 0.122 | 1,540        | 6,850  | 970     | 4,310  | N/A    | N/A | N/A      | N/A | N/A      | N/A | N/A     | N/A | JB035CP0*RBC |
|      | 51            | 0.19           | 0.086 | 1,290        | 5,740  | 720     | 3,200  | N/A    | N/A | N/A      | N/A | N/A      | N/A | N/A     | N/A | JA040CP0*RBC |
|      | 43            | 0.30           | 0.136 | 1,750        | 7,780  | 1,020   | 4,540  | N/A    | N/A | N/A      | N/A | N/A      | N/A | N/A     | N/A | JB040CP0*RBC |
|      | 35            | 0.45           | 0.204 | 2,100        | 9,340  | 1,290   | 5,740  | N/A    | N/A | N/A      | N/A | N/A      | N/A | N/A     | N/A | JC040CP0*RBC |
|      | 27            | 0.78           | 0.354 | 3,080        | 13,700 | 2,250   | 10,010 | N/A    | N/A | N/A      | N/A | N/A      | N/A | N/A     | N/A | JD040CP0*RBC |
|      | 19            | 1.90           | 0.862 | 5,360        | 23,840 | 3,940   | 17,530 | N/A    | N/A | N/A      | N/A | N/A      | N/A | N/A     | N/A | JF040CP0*RBC |
|      | 15            | 3.60           | 1.633 | 8,210        | 36,520 | 6,700   | 29,800 | N/A    | N/A | N/A      | N/A | N/A      | N/A | N/A     | N/A | JG040CP0*RBC |
|      | 54            | 0.20           | 0.091 | 1,370        | 6,090  | 730     | 3,250  | N/A    | N/A | N/A      | N/A | N/A      | N/A | N/A     | N/A | JA042CP0*RBC |
|      | 45            | 0.31           | 0.141 | 1,830        | 8,140  | 1,030   | 4,580  | N/A    | N/A | N/A      | N/A | N/A      | N/A | N/A     | N/A | JB042CP0*RBC |
|      | 37            | 0.47           | 0.213 | 2,220        | 9,880  | 1,320   | 5,870  | N/A    | N/A | N/A      | N/A | N/A      | N/A | N/A     | N/A | JC042CP0*RBC |
|      | 28            | 0.83           | 0.376 | 3,190        | 14,190 | 2,270   | 10,100 | N/A    | N/A | N/A      | N/A | N/A      | N/A | N/A     | N/A | JD042CP0*RBC |
|      | 20            | 2.00           | 0.907 | 5,640        | 25,090 | 4,070   | 18,100 | N/A    | N/A | N/A      | N/A | N/A      | N/A | N/A     | N/A | JF042CP0*RBC |
|      | 15            | 3.80           | 1.724 | 8,210        | 36,520 | 6,700   | 29,800 | N/A    | N/A | N/A      | N/A | N/A      | N/A | N/A     | N/A | JG042CP0*RBC |
|      | 57            | 0.22           | 0.100 | 1,440        | 6,410  | 750     | 3,340  | N/A    | N/A | N/A      | N/A | N/A      | N/A | N/A     | N/A | JA045CP0*RBC |
|      | 48            | 0.33           | 0.150 | 1,950        | 8,670  | 1,060   | 4,720  | N/A    | N/A | N/A      | N/A | N/A      | N/A | N/A     | N/A | JB045CP0*RBC |
|      | 39            | 0.48           | 0.218 | 2,340        | 10,410 | 1,350   | 6,010  | N/A    | N/A | N/A      | N/A | N/A      | N/A | N/A     | N/A | JC045CP0*RBC |
|      | 30            | 0.88           | 0.399 | 3,420        | 15,210 | 2,350   | 10,450 | N/A    | N/A | N/A      | N/A | N/A      | N/A | N/A     | N/A | JD045CP0*RBC |
|      | 21            | 2.10           | 0.953 | 5,930        | 26,380 | 4,210   | 18,730 | N/A    | N/A | N/A      | N/A | N/A      | N/A | N/A     | N/A | JF045CP0*RBC |
|      | 16            | 4.00           | 1.814 | 8,760        | 38,970 | 7,000   | 31,140 | N/A    | N/A | N/A      | N/A | N/A      | N/A | N/A     | N/A | JG045CP0*RBC |
|      | 60            | 0.23           | 0.104 | 1,520        | 6,760  | 760     | 3,380  | N/A    | N/A | N/A      | N/A | N/A      | N/A | N/A     | N/A | JA047CP0*RBC |
|      | 50            | 0.34           | 0.154 | 2,030        | 9,030  | 1,070   | 4,760  | N/A    | N/A | N/A      | N/A | N/A      | N/A | N/A     | N/A | JB047CP0*RBC |
|      | 41            | 0.50           | 0.227 | 2,460        | 10,940 | 1,370   | 6,090  | N/A    | N/A | N/A      | N/A | N/A      | N/A | N/A     | N/A | JC047CP0*RBC |
|      | 31            | 0.94           | 0.426 | 3,530        | 15,700 | 2,360   | 10,500 | N/A    | N/A | N/A      | N/A | N/A      | N/A | N/A     | N/A | JD047CP0*RBC |
|      | 22            | 2.20           | 0.998 | 6,210        | 27,620 | 4,310   | 19,170 | N/A    | N/A | N/A      | N/A | N/A      | N/A | N/A     | N/A | JF047CP0*RBC |
|      | 17            | 4.10           | 1.860 | 9,300        | 41,370 | 7,290   | 32,430 | N/A    | N/A | N/A      | N/A | N/A      | N/A | N/A     | N/A | JG047CP0*RBC |
|      | 63            | 0.24           | 0.109 | 1,590        | 7,070  | 770     | 3,430  | N/A    | N/A | N/A      | N/A | N/A      | N/A | N/A     | N/A | JA050CP0*RBC |
|      | 53            | 0.38           | 0.172 | 2,150        | 9,560  | 1,100   | 4,890  | N/A    | N/A | N/A      | N/A | N/A      | N/A | N/A     | N/A | JB050CP0*RBC |
|      | 43            | 0.58           | 0.263 | 2,590        | 11,520 | 1,390   | 6,180  | N/A    | N/A | N/A      | N/A | N/A      | N/A | N/A     | N/A | JC050CP0*RBC |
|      | 33            | 1.00           | 0.454 | 3,760        | 16,730 | 2,430   | 10,810 | N/A    | N/A | N/A      | N/A | N/A      | N/A | N/A     | N/A | JD050CP0*RBC |
|      | 23            | 2.30           | 1.043 | 6,490        | 28,870 | 4,380   | 19,480 | N/A    | N/A | N/A      | N/A | N/A      | N/A | N/A     | N/A | JF050CP0*RBC |
|      | 18            | 4.30           | 1.950 | 9,850        | 43,810 | 7,570   | 33,670 | N/A    | N/A | N/A      | N/A | N/A      | N/A | N/A     | N/A | JG050CP0*RBC |
|      | 69            | 0.25           | 0.113 | 1,750        | 7,780  | 800     | 3,560  | N/A    | N/A | N/A      | N/A | N/A      | N/A | N/A     | N/A | JA055CP0*RBC |
|      | 58            | 0.41           | 0.186 | 2,360        | 10,500 | 1,130   | 5,030  | N/A    | N/A | N/A      | N/A | N/A      | N/A | N/A     | N/A | JB055CP0*RBC |
|      | 47            | 0.59           | 0.268 | 2,830        | 12,590 | 1,440   | 6,410  | N/A    | N/A | N/A      | N/A | N/A      | N/A | N/A     | N/A | JC055CP0*RBC |
|      | 36            | 1.06           | 0.481 | 4,100        | 18,240 | 2,510   | 11,170 | N/A    | N/A | N/A      | N/A | N/A      | N/A | N/A     | N/A | JD055CP0*RBC |
|      | 25            | 2.50           | 1.134 | 7,050        | 31,360 | 4,540   | 20,190 | N/A    | N/A | N/A      | N/A | N/A      | N/A | N/A     | N/A | JF055CP0*RBC |
|      | 19            | 4.70           | 2.132 | 10,400       | 46,260 | 7,850   | 34,920 | N/A    | N/A | N/A      | N/A | N/A      | N/A | N/A     | N/A | JG055CP0*RBC |

Refer to the Engineering section for load and speed limitations.



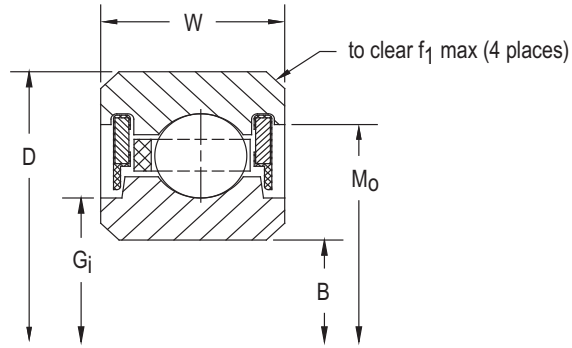
# SEALED (MOLDED) RADIAL CONTACT, C-TYPE THIN SECTION BALL BEARINGS



| PART NUMBER* | NOMINAL DIMENSIONS |         |                       |         |            |        |                                   |        |                                   |        |                                  |      |               |
|--------------|--------------------|---------|-----------------------|---------|------------|--------|-----------------------------------|--------|-----------------------------------|--------|----------------------------------|------|---------------|
|              | B<br>Bore          |         | D<br>Outside Diameter |         | W<br>Width |        | G <sub>i</sub><br>Recess Diameter |        | M <sub>o</sub><br>Groove Diameter |        | f <sub>1</sub><br>Housing Fillet |      | Ball Diameter |
|              | in.                | mm      | in.                   | mm      | in.        | mm     | in.                               | mm     | in.                               | mm     | in.                              | mm   | in.           |
| JA060CP0*RBC | 6.0000             | 152.400 | 6.5000                | 165.100 | 0.2500     | 6.350  | 6.125                             | 155.58 | 6.343                             | 161.11 | 0.025                            | 0.64 | 1/8           |
| JB060CP0*RBC | 6.0000             | 152.400 | 6.6250                | 168.275 | 0.3125     | 7.938  | 6.155                             | 156.34 | 6.430                             | 163.32 | 0.032                            | 0.81 | 5/32          |
| JC060CP0*RBC | 6.0000             | 152.400 | 6.7500                | 171.450 | 0.3750     | 9.525  | 6.188                             | 157.18 | 6.516                             | 165.51 | 0.040                            | 1.02 | 3/16          |
| JD060CP0*RBC | 6.0000             | 152.400 | 7.0000                | 177.800 | 0.5000     | 12.700 | 6.250                             | 158.75 | 6.687                             | 169.85 | 0.060                            | 1.52 | 1/4           |
| JF060CP0*RBC | 6.0000             | 152.400 | 7.5000                | 190.500 | 0.7500     | 19.050 | 6.375                             | 161.93 | 7.031                             | 178.59 | 0.080                            | 2.03 | 3/8           |
| JG060CP0*RBC | 6.0000             | 152.400 | 8.0000                | 203.200 | 1.0000     | 25.400 | 6.500                             | 165.10 | 7.375                             | 187.33 | 0.080                            | 2.03 | 1/2           |
| JA065CP0*RBC | 6.5000             | 165.100 | 7.0000                | 177.800 | 0.2500     | 6.350  | 6.625                             | 168.28 | 6.843                             | 173.81 | 0.025                            | 0.64 | 1/8           |
| JB065CP0*RBC | 6.5000             | 165.100 | 7.1250                | 180.975 | 0.3125     | 7.938  | 6.656                             | 169.06 | 6.930                             | 176.02 | 0.032                            | 0.81 | 5/32          |
| JC065CP0*RBC | 6.5000             | 165.100 | 7.2500                | 184.150 | 0.3750     | 9.525  | 6.688                             | 169.88 | 7.016                             | 178.21 | 0.040                            | 1.02 | 3/16          |
| JD065CP0*RBC | 6.5000             | 165.100 | 7.5000                | 190.500 | 0.5000     | 12.700 | 6.750                             | 171.45 | 7.187                             | 182.55 | 0.060                            | 1.52 | 1/4           |
| JF065CP0*RBC | 6.5000             | 165.100 | 8.0000                | 203.200 | 0.7500     | 19.050 | 6.875                             | 174.63 | 7.531                             | 191.29 | 0.080                            | 2.03 | 3/8           |
| JG065CP0*RBC | 6.5000             | 165.100 | 8.5000                | 215.900 | 1.0000     | 25.400 | 7.000                             | 177.80 | 7.875                             | 200.03 | 0.080                            | 2.03 | 1/2           |
| JA070CP0*RBC | 7.0000             | 177.800 | 7.5000                | 190.500 | 0.2500     | 6.350  | 7.125                             | 180.98 | 7.343                             | 186.51 | 0.025                            | 0.64 | 1/8           |
| JB070CP0*RBC | 7.0000             | 177.800 | 7.6250                | 193.675 | 0.3125     | 7.938  | 7.156                             | 181.76 | 7.430                             | 188.72 | 0.032                            | 0.81 | 5/32          |
| JC070CP0*RBC | 7.0000             | 177.800 | 7.7500                | 196.850 | 0.3750     | 9.525  | 7.188                             | 182.58 | 7.516                             | 190.91 | 0.040                            | 1.02 | 3/16          |
| JD070CP0*RBC | 7.0000             | 177.800 | 8.0000                | 203.200 | 0.5000     | 12.700 | 7.250                             | 184.15 | 7.687                             | 195.25 | 0.060                            | 1.52 | 1/4           |
| JF070CP0*RBC | 7.0000             | 177.800 | 8.5000                | 215.900 | 0.7500     | 19.050 | 7.375                             | 187.33 | 8.031                             | 203.99 | 0.080                            | 2.03 | 3/8           |
| JG070CP0*RBC | 7.0000             | 177.800 | 9.0000                | 228.600 | 1.0000     | 25.400 | 7.500                             | 190.50 | 8.375                             | 212.73 | 0.080                            | 2.03 | 1/2           |
| JA075CP0*RBC | 7.5000             | 190.500 | 8.0000                | 203.200 | 0.2500     | 6.350  | 7.625                             | 193.68 | 7.843                             | 199.21 | 0.025                            | 0.64 | 1/8           |
| JB075CP0*RBC | 7.5000             | 190.500 | 8.1250                | 206.375 | 0.3125     | 7.938  | 7.656                             | 194.46 | 7.930                             | 201.42 | 0.032                            | 0.81 | 5/32          |
| JC075CP0*RBC | 7.5000             | 190.500 | 8.2500                | 209.550 | 0.3750     | 9.525  | 7.688                             | 195.28 | 8.016                             | 203.61 | 0.040                            | 1.02 | 3/16          |
| JD075CP0*RBC | 7.5000             | 190.500 | 8.5000                | 215.900 | 0.5000     | 12.700 | 7.750                             | 196.85 | 8.187                             | 207.95 | 0.060                            | 1.52 | 1/4           |
| JF075CP0*RBC | 7.5000             | 190.500 | 9.0000                | 228.600 | 0.7500     | 19.050 | 7.875                             | 200.03 | 8.531                             | 216.69 | 0.080                            | 2.03 | 3/8           |
| JG075CP0*RBC | 7.5000             | 190.500 | 9.5000                | 241.300 | 1.0000     | 25.400 | 8.000                             | 203.20 | 8.875                             | 225.43 | 0.080                            | 2.03 | 1/2           |
| JA080CP0*RBC | 8.0000             | 203.200 | 8.5000                | 215.900 | 0.2500     | 6.350  | 8.125                             | 206.38 | 8.343                             | 211.91 | 0.025                            | 0.64 | 1/8           |
| JB080CP0*RBC | 8.0000             | 203.200 | 8.6250                | 219.075 | 0.3125     | 7.938  | 8.156                             | 207.16 | 8.430                             | 214.12 | 0.032                            | 0.81 | 5/32          |
| JC080CP0*RBC | 8.0000             | 203.200 | 8.7500                | 222.250 | 0.3750     | 9.525  | 8.188                             | 207.98 | 8.516                             | 216.31 | 0.040                            | 1.02 | 3/16          |
| JD080CP0*RBC | 8.0000             | 203.200 | 9.0000                | 228.600 | 0.5000     | 12.700 | 8.250                             | 209.55 | 8.687                             | 220.65 | 0.060                            | 1.52 | 1/4           |
| JF080CP0*RBC | 8.0000             | 203.200 | 9.5000                | 241.300 | 0.7500     | 19.050 | 8.375                             | 212.73 | 9.031                             | 229.39 | 0.080                            | 2.03 | 3/8           |
| JG080CP0*RBC | 8.0000             | 203.200 | 10.0000               | 254.000 | 1.0000     | 25.400 | 8.500                             | 215.90 | 9.375                             | 238.13 | 0.080                            | 2.03 | 1/2           |
| JA090CP0*RBC | 9.0000             | 228.600 | 9.5000                | 241.300 | 0.2500     | 6.350  | 9.125                             | 231.78 | 9.343                             | 237.31 | 0.025                            | 0.64 | 1/8           |
| JB090CP0*RBC | 9.0000             | 228.600 | 9.6250                | 244.475 | 0.3125     | 7.938  | 9.156                             | 232.56 | 9.430                             | 239.52 | 0.032                            | 0.81 | 5/32          |
| JC090CP0*RBC | 9.0000             | 228.600 | 9.7500                | 247.650 | 0.3750     | 9.525  | 9.188                             | 233.38 | 9.516                             | 241.71 | 0.040                            | 1.02 | 3/16          |
| JD090CP0*RBC | 9.0000             | 228.600 | 10.0000               | 254.000 | 0.5000     | 12.700 | 9.250                             | 234.95 | 9.687                             | 246.05 | 0.060                            | 1.52 | 1/4           |
| JF090CP0*RBC | 9.0000             | 228.600 | 10.5000               | 266.700 | 0.7500     | 19.050 | 9.375                             | 238.13 | 10.031                            | 254.79 | 0.080                            | 2.03 | 3/8           |
| JG090CP0*RBC | 9.0000             | 228.600 | 11.0000               | 279.400 | 1.0000     | 25.400 | 9.500                             | 241.30 | 10.375                            | 263.53 | 0.080                            | 2.03 | 1/2           |
| JA100CP0*RBC | 10.0000            | 254.000 | 10.5000               | 266.700 | 0.2500     | 6.350  | 10.125                            | 257.18 | 10.343                            | 262.71 | 0.025                            | 0.64 | 1/8           |
| JB100CP0*RBC | 10.0000            | 254.000 | 10.6250               | 269.875 | 0.3125     | 7.938  | 10.156                            | 257.96 | 10.430                            | 264.92 | 0.032                            | 0.81 | 5/32          |
| JC100CP0*RBC | 10.0000            | 254.000 | 10.7500               | 273.050 | 0.3750     | 9.525  | 10.188                            | 258.78 | 10.516                            | 267.11 | 0.040                            | 1.02 | 3/16          |
| JD100CP0*RBC | 10.0000            | 254.000 | 11.0000               | 279.400 | 0.5000     | 12.700 | 10.250                            | 260.35 | 10.687                            | 271.45 | 0.060                            | 1.52 | 1/4           |
| JF100CP0*RBC | 10.0000            | 254.000 | 11.5000               | 292.100 | 0.7500     | 19.050 | 10.375                            | 236.53 | 11.031                            | 280.91 | 0.080                            | 2.03 | 3/8           |
| JG100CP0*RBC | 10.0000            | 254.000 | 12.0000               | 304.800 | 1.0000     | 25.400 | 10.500                            | 266.70 | 11.375                            | 288.93 | 0.080                            | 2.03 | 1/2           |
| JA110CP0*RBC | 11.0000            | 279.400 | 11.5000               | 292.100 | 0.2500     | 6.350  | 11.125                            | 282.58 | 11.343                            | 288.11 | 0.025                            | 0.64 | 1/8           |
| JB110CP0*RBC | 11.0000            | 279.400 | 11.6250               | 295.275 | 0.3125     | 7.938  | 11.156                            | 283.36 | 11.430                            | 290.32 | 0.032                            | 0.81 | 5/32          |

\*The alphanumeric identification system is used under license.

- 52100 Steel
- Large Diameter
- Light Weight
- Small Cross Section
- Snap-Over Ball Separator
- Sealed

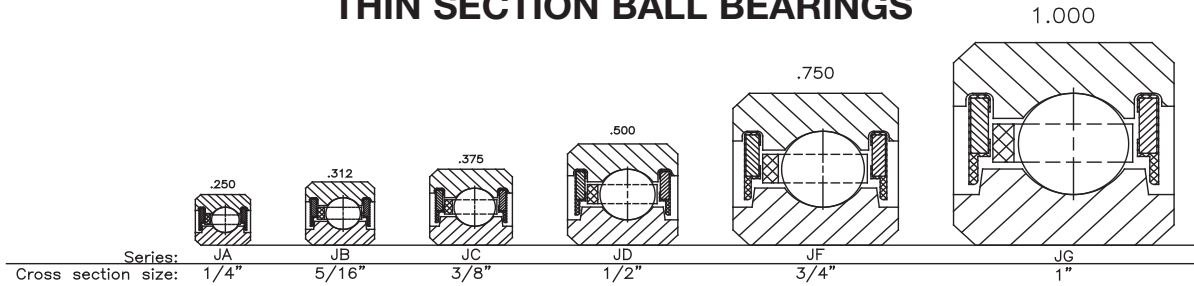


|      | Ball Quantity | Approx. Weight |       | LOAD RATINGS |        |         |        |        |     |          |     |          |     |         |     | PART NUMBER* |
|------|---------------|----------------|-------|--------------|--------|---------|--------|--------|-----|----------|-----|----------|-----|---------|-----|--------------|
|      |               |                |       | Radial       |        |         |        | Thrust |     |          |     | Moment   |     |         |     |              |
|      |               |                |       | Static       |        | Dynamic |        | Static |     | Dynamic  |     | Static   |     | Dynamic |     |              |
| lbs. | kg            | lbf            | N     | lbf          | N      | lbf     | N      | lbf    | N   | lbf - in | Nm  | lbf - in | Nm  |         |     |              |
|      | 75            | 0.28           | 0.127 | 1,900        | 8,450  | 830     | 3,690  | N/A    | N/A | N/A      | N/A | N/A      | N/A | N/A     | N/A | JA060CP0*RBC |
|      | 63            | 0.44           | 0.200 | 2,560        | 11,390 | 1,170   | 5,200  | N/A    | N/A | N/A      | N/A | N/A      | N/A | N/A     | N/A | JB060CP0*RBC |
|      | 51            | 0.63           | 0.286 | 3,070        | 13,660 | 1,490   | 6,630  | N/A    | N/A | N/A      | N/A | N/A      | N/A | N/A     | N/A | JC060CP0*RBC |
|      | 39            | 1.16           | 0.526 | 4,450        | 19,790 | 2,580   | 11,480 | N/A    | N/A | N/A      | N/A | N/A      | N/A | N/A     | N/A | JD060CP0*RBC |
|      | 27            | 2.70           | 1.225 | 7,620        | 33,900 | 4,660   | 20,730 | N/A    | N/A | N/A      | N/A | N/A      | N/A | N/A     | N/A | JF060CP0*RBC |
|      | 21            | 5.10           | 2.313 | 11,490       | 51,110 | 8,390   | 37,320 | N/A    | N/A | N/A      | N/A | N/A      | N/A | N/A     | N/A | JG060CP0*RBC |
|      | 81            | 0.30           | 0.136 | 2,050        | 9,120  | 850     | 3,780  | N/A    | N/A | N/A      | N/A | N/A      | N/A | N/A     | N/A | JA065CP0*RBC |
|      | 68            | 0.47           | 0.213 | 2,760        | 12,280 | 1,200   | 5,340  | N/A    | N/A | N/A      | N/A | N/A      | N/A | N/A     | N/A | JB065CP0*RBC |
|      | 55            | 0.68           | 0.308 | 3,310        | 14,720 | 1,530   | 6,810  | N/A    | N/A | N/A      | N/A | N/A      | N/A | N/A     | N/A | JC065CP0*RBC |
|      | 42            | 1.22           | 0.553 | 4,790        | 21,310 | 2,650   | 11,790 | N/A    | N/A | N/A      | N/A | N/A      | N/A | N/A     | N/A | JD065CP0*RBC |
|      | 29            | 2.90           | 1.315 | 8,180        | 36,390 | 4,790   | 21,310 | N/A    | N/A | N/A      | N/A | N/A      | N/A | N/A     | N/A | JF065CP0*RBC |
|      | 22            | 5.40           | 2.449 | 12,040       | 53,560 | 8,520   | 37,900 | N/A    | N/A | N/A      | N/A | N/A      | N/A | N/A     | N/A | JG065CP0*RBC |
|      | 87            | 0.31           | 0.141 | 2,200        | 9,790  | 870     | 3,870  | N/A    | N/A | N/A      | N/A | N/A      | N/A | N/A     | N/A | JA070CP0*RBC |
|      | 73            | 0.50           | 0.227 | 2,970        | 13,210 | 1,240   | 5,520  | N/A    | N/A | N/A      | N/A | N/A      | N/A | N/A     | N/A | JB070CP0*RBC |
|      | 59            | 0.73           | 0.331 | 3,550        | 15,790 | 1,570   | 6,980  | N/A    | N/A | N/A      | N/A | N/A      | N/A | N/A     | N/A | JC070CP0*RBC |
|      | 45            | 1.31           | 0.594 | 5,130        | 22,820 | 2,730   | 12,140 | N/A    | N/A | N/A      | N/A | N/A      | N/A | N/A     | N/A | JD070CP0*RBC |
|      | 31            | 3.20           | 1.451 | 8,750        | 38,920 | 4,920   | 21,890 | N/A    | N/A | N/A      | N/A | N/A      | N/A | N/A     | N/A | JF070CP0*RBC |
|      | 24            | 5.80           | 2.631 | 13,130       | 58,410 | 8,880   | 39,500 | N/A    | N/A | N/A      | N/A | N/A      | N/A | N/A     | N/A | JG070CP0*RBC |
|      | 93            | 0.34           | 0.154 | 2,350        | 10,450 | 890     | 3,960  | N/A    | N/A | N/A      | N/A | N/A      | N/A | N/A     | N/A | JA075CP0*RBC |
|      | 78            | 0.53           | 0.240 | 3,170        | 14,100 | 1,280   | 5,690  | N/A    | N/A | N/A      | N/A | N/A      | N/A | N/A     | N/A | JB075CP0*RBC |
|      | 63            | 0.78           | 0.354 | 3,790        | 16,860 | 1,600   | 7,120  | N/A    | N/A | N/A      | N/A | N/A      | N/A | N/A     | N/A | JC075CP0*RBC |
|      | 48            | 1.41           | 0.640 | 5,470        | 24,330 | 2,800   | 12,460 | N/A    | N/A | N/A      | N/A | N/A      | N/A | N/A     | N/A | JD075CP0*RBC |
|      | 33            | 3.40           | 1.542 | 9,310        | 41,410 | 5,040   | 22,420 | N/A    | N/A | N/A      | N/A | N/A      | N/A | N/A     | N/A | JF075CP0*RBC |
|      | 25            | 6.10           | 2.767 | 13,680       | 60,850 | 8,960   | 39,860 | N/A    | N/A | N/A      | N/A | N/A      | N/A | N/A     | N/A | JG075CP0*RBC |
|      | 99            | 0.38           | 0.172 | 2,500        | 11,120 | 910     | 4,050  | N/A    | N/A | N/A      | N/A | N/A      | N/A | N/A     | N/A | JA080CP0*RBC |
|      | 83            | 0.57           | 0.259 | 3,370        | 14,990 | 1,280   | 5,690  | N/A    | N/A | N/A      | N/A | N/A      | N/A | N/A     | N/A | JB080CP0*RBC |
|      | 67            | 0.84           | 0.381 | 4,030        | 17,930 | 1,650   | 7,340  | N/A    | N/A | N/A      | N/A | N/A      | N/A | N/A     | N/A | JC080CP0*RBC |
|      | 51            | 1.53           | 0.694 | 5,810        | 25,840 | 2,860   | 12,720 | N/A    | N/A | N/A      | N/A | N/A      | N/A | N/A     | N/A | JD080CP0*RBC |
|      | 35            | 3.50           | 1.588 | 9,880        | 43,950 | 5,140   | 22,860 | N/A    | N/A | N/A      | N/A | N/A      | N/A | N/A     | N/A | JF080CP0*RBC |
|      | 27            | 6.50           | 2.948 | 14,770       | 65,700 | 9,300   | 41,370 | N/A    | N/A | N/A      | N/A | N/A      | N/A | N/A     | N/A | JG080CP0*RBC |
|      | 111           | 0.44           | 0.200 | 2,810        | 12,500 | 940     | 4,180  | N/A    | N/A | N/A      | N/A | N/A      | N/A | N/A     | N/A | JA090CP0*RBC |
|      | 93            | 0.66           | 0.299 | 3,780        | 16,810 | 1,330   | 5,920  | N/A    | N/A | N/A      | N/A | N/A      | N/A | N/A     | N/A | JB090CP0*RBC |
|      | 75            | 0.94           | 0.426 | 4,510        | 20,060 | 1,730   | 7,700  | N/A    | N/A | N/A      | N/A | N/A      | N/A | N/A     | N/A | JC090CP0*RBC |
|      | 57            | 1.72           | 0.780 | 6,500        | 28,910 | 2,970   | 13,210 | N/A    | N/A | N/A      | N/A | N/A      | N/A | N/A     | N/A | JD090CP0*RBC |
|      | 39            | 3.90           | 1.769 | 11,000       | 48,930 | 5,360   | 23,840 | N/A    | N/A | N/A      | N/A | N/A      | N/A | N/A     | N/A | JF090CP0*RBC |
|      | 30            | 7.20           | 3.266 | 16,420       | 73,040 | 9,720   | 43,240 | N/A    | N/A | N/A      | N/A | N/A      | N/A | N/A     | N/A | JG090CP0*RBC |
|      | 123           | 0.50           | 0.227 | 3,110        | 13,830 | 990     | 4,400  | N/A    | N/A | N/A      | N/A | N/A      | N/A | N/A     | N/A | JA100CP0*RBC |
|      | 103           | 0.73           | 0.331 | 4,190        | 18,640 | 1,400   | 6,230  | N/A    | N/A | N/A      | N/A | N/A      | N/A | N/A     | N/A | JB100CP0*RBC |
|      | 83            | 1.06           | 0.481 | 4,990        | 22,200 | 1,781   | 7,920  | N/A    | N/A | N/A      | N/A | N/A      | N/A | N/A     | N/A | JC100CP0*RBC |
|      | 63            | 1.88           | 0.853 | 7,180        | 31,940 | 3,070   | 13,660 | N/A    | N/A | N/A      | N/A | N/A      | N/A | N/A     | N/A | JD100CP0*RBC |
|      | 43            | 4.30           | 1.950 | 12,130       | 53,960 | 5,550   | 24,690 | N/A    | N/A | N/A      | N/A | N/A      | N/A | N/A     | N/A | JF100CP0*RBC |
|      | 33            | 7.90           | 3.583 | 18,060       | 80,330 | 10,040  | 44,660 | N/A    | N/A | N/A      | N/A | N/A      | N/A | N/A     | N/A | JG100CP0*RBC |
|      | 135           | 0.52           | 0.236 | 3,410        | 15,170 | 1,030   | 4,580  | N/A    | N/A | N/A      | N/A | N/A      | N/A | N/A     | N/A | JA110CP0*RBC |
|      | 113           | 0.75           | 0.340 | 4,590        | 20,420 | 1,464   | 6,510  | N/A    | N/A | N/A      | N/A | N/A      | N/A | N/A     | N/A | JB110CP0*RBC |

J-SERIES

Refer to the Engineering section for load and speed limitations.

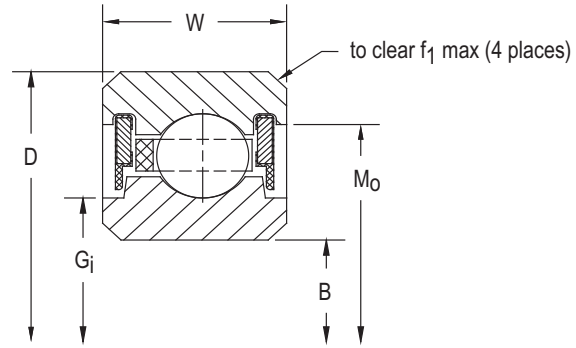
## SEALED (MOLDED) RADIAL CONTACT, C-TYPE THIN SECTION BALL BEARINGS



| PART NUMBER* | NOMINAL DIMENSIONS |         |                    |         |         |        |                                |        |                                |        |                               |      |               |
|--------------|--------------------|---------|--------------------|---------|---------|--------|--------------------------------|--------|--------------------------------|--------|-------------------------------|------|---------------|
|              | B Bore             |         | D Outside Diameter |         | W Width |        | G <sub>i</sub> Recess Diameter |        | M <sub>o</sub> Groove Diameter |        | f <sub>1</sub> Housing Fillet |      | Ball Diameter |
|              | in.                | mm      | in.                | mm      | in.     | mm     | in.                            | mm     | in.                            | mm     | in.                           | mm   | in.           |
| JC110CP0*RBC | 11.0000            | 279.400 | 11.7500            | 298.450 | 0.3750  | 9.525  | 11.188                         | 284.18 | 11.516                         | 292.51 | 0.040                         | 1.02 | 3/16          |
| JD110CP0*RBC | 11.0000            | 279.400 | 12.0000            | 304.800 | 0.5000  | 12.700 | 11.250                         | 285.75 | 11.687                         | 296.85 | 0.060                         | 1.52 | 1/4           |
| JF110CP0*RBC | 11.0000            | 279.400 | 12.5000            | 317.500 | 0.7500  | 19.050 | 11.375                         | 288.93 | 12.031                         | 305.59 | 0.080                         | 2.03 | 3/8           |
| JG110CP0*RBC | 11.0000            | 279.400 | 13.0000            | 330.200 | 1.0000  | 25.400 | 11.500                         | 292.10 | 12.375                         | 314.33 | 0.080                         | 2.03 | 1/2           |
| JA120CP0*RBC | 12.0000            | 304.800 | 12.5000            | 317.500 | 0.2500  | 6.350  | 12.125                         | 307.98 | 12.343                         | 313.51 | 0.025                         | 0.64 | 1/8           |
| JB120CP0*RBC | 12.0000            | 304.800 | 12.6250            | 320.675 | 0.3125  | 7.938  | 12.156                         | 308.76 | 12.430                         | 315.72 | 0.032                         | 0.81 | 5/32          |
| JC120CP0*RBC | 12.0000            | 304.800 | 12.7500            | 323.850 | 0.3750  | 9.525  | 12.188                         | 309.59 | 12.516                         | 317.91 | 0.040                         | 1.02 | 3/16          |
| JD120CP0*RBC | 12.0000            | 304.800 | 13.0000            | 330.200 | 0.5000  | 12.700 | 12.250                         | 311.15 | 12.687                         | 322.25 | 0.060                         | 1.52 | 1/4           |
| JF120CP0*RBC | 12.0000            | 304.800 | 13.5000            | 342.900 | 0.7500  | 19.050 | 12.375                         | 314.31 | 13.031                         | 330.99 | 0.080                         | 2.03 | 3/8           |
| JG120CP0*RBC | 12.0000            | 304.800 | 14.0000            | 355.600 | 1.0000  | 25.400 | 12.500                         | 317.50 | 13.375                         | 339.73 | 0.080                         | 2.03 | 1/2           |

\*The alphanumeric identification system is used under license.  
Contact your RBC Sales Engineer for sizes above 12.00" Bore.

- 52100 Steel
- Large Diameter
- Light Weight
- Small Cross Section
- Snap-Over Ball Separator
- Sealed



|      | Ball Quantity | Approx. Weight |       | LOAD RATINGS |        |         |        |        |     |          |     |          |     |         |     | PART NUMBER* |
|------|---------------|----------------|-------|--------------|--------|---------|--------|--------|-----|----------|-----|----------|-----|---------|-----|--------------|
|      |               |                |       | Radial       |        |         |        | Thrust |     |          |     | Moment   |     |         |     |              |
|      |               |                |       | Static       |        | Dynamic |        | Static |     | Dynamic  |     | Static   |     | Dynamic |     |              |
| lbs. | kg            | lbf            | N     | lbf          | N      | lbf     | N      | lbf    | N   | lbf - in | Nm  | lbf - in | Nm  |         |     |              |
|      | 91            | 1.16           | 0.526 | 5,470        | 24,330 | 1,879   | 8,360  | N/A    | N/A | N/A      | N/A | N/A      | N/A | N/A     | N/A | JC110CP0*RBC |
|      | 69            | 2.06           | 0.934 | 7,870        | 35,010 | 3,180   | 14,150 | N/A    | N/A | N/A      | N/A | N/A      | N/A | N/A     | N/A | JD110CP0*RBC |
|      | 47            | 4.80           | 2.177 | 13,260       | 58,980 | 5,833   | 25,950 | N/A    | N/A | N/A      | N/A | N/A      | N/A | N/A     | N/A | JF110CP0*RBC |
|      | 36            | 8.60           | 3.901 | 19,700       | 87,630 | 10,360  | 46,080 | N/A    | N/A | N/A      | N/A | N/A      | N/A | N/A     | N/A | JG110CP0*RBC |
|      | 147           | 0.56           | 0.254 | 3,720        | 16,550 | 1,078   | 4,800  | N/A    | N/A | N/A      | N/A | N/A      | N/A | N/A     | N/A | JA120CP0*RBC |
|      | 123           | 0.83           | 0.376 | 5,000        | 22,240 | 1,539   | 6,850  | N/A    | N/A | N/A      | N/A | N/A      | N/A | N/A     | N/A | JB120CP0*RBC |
|      | 99            | 1.25           | 0.567 | 5,950        | 26,470 | 1,974   | 8,780  | N/A    | N/A | N/A      | N/A | N/A      | N/A | N/A     | N/A | JC120CP0*RBC |
|      | 75            | 2.25           | 1.021 | 8,550        | 38,030 | 3,320   | 14,770 | N/A    | N/A | N/A      | N/A | N/A      | N/A | N/A     | N/A | JD120CP0*RBC |
|      | 51            | 5.20           | 2.359 | 14,390       | 64,010 | 6,105   | 27,160 | N/A    | N/A | N/A      | N/A | N/A      | N/A | N/A     | N/A | JF120CP0*RBC |
|      | 39            | 9.30           | 4.218 | 21,340       | 94,930 | 10,690  | 47,550 | N/A    | N/A | N/A      | N/A | N/A      | N/A | N/A     | N/A | JG120CP0*RBC |

Refer to the Engineering section for load and speed limitations.

J-SERIES